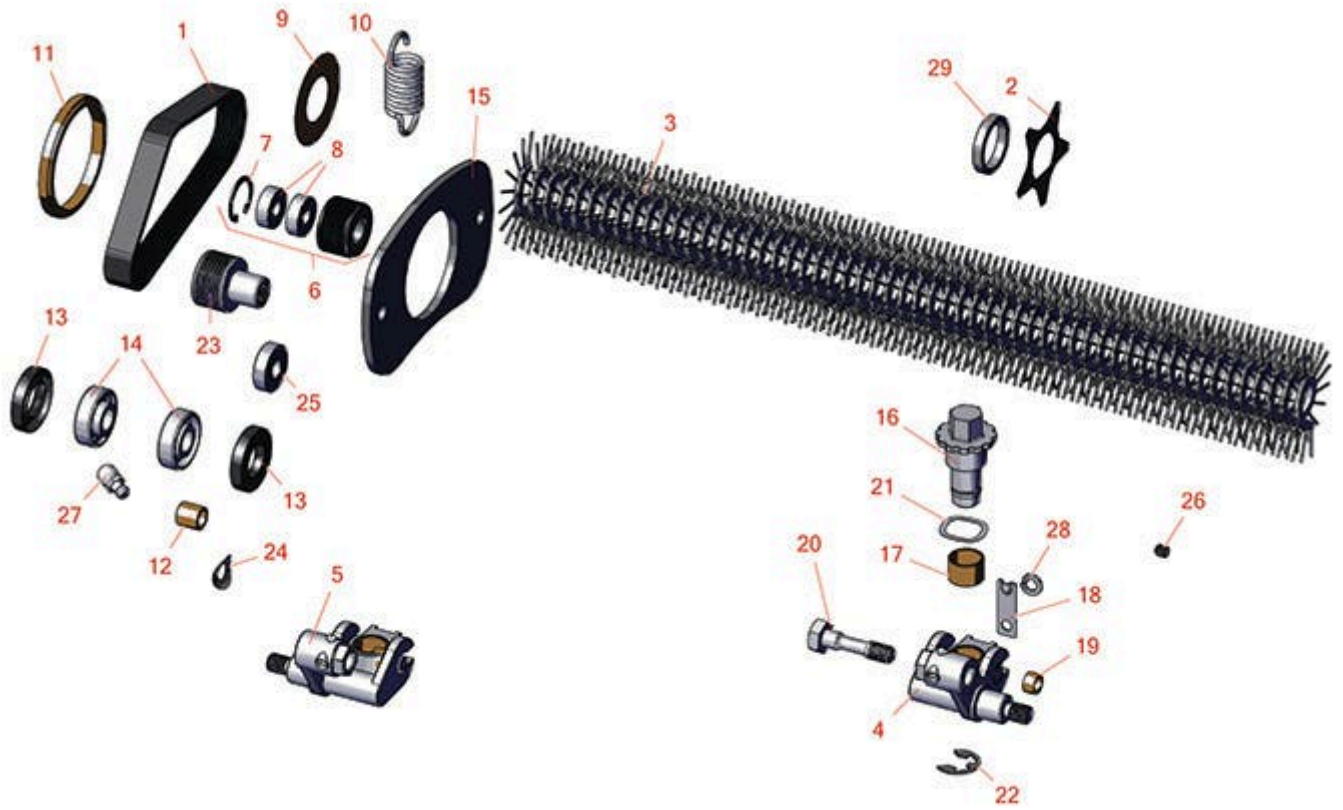




# Replaces Toro Greensmaster TriFlex

## 3320 Parts

DPA Cutting Unit - Models 04613, 04614 & 04615  
Groomer



All original equipment manufacturers names and part numbers are used for identification purposes only, and we are in no way implying that our products are original equipment parts. Prices subject to change without notice.



# Replaces Toro Greensmaster TriFlex 3320 Parts

DPA Cutting Unit - Models 04613, 04614 & 04615  
Groomer



Item No	R&R Part No.	OEM Part No.	Description	Qty Req	Order Quantity
<b>Belt</b>					
1	<b>R104-4705</b>	104-4705, 120-2763	Belt - Groomer	1	
<b>Blades</b>					
2	<b>R110-2333</b>	110-2333	Groomer Blade - Helix .028 Thick	42	
2	<b>R110-2343</b>	110-2343	Groomer Blade - Carbide Tipped - Helix 1.5mm	42	
<b>Other Parts Available</b>					
3	<b>R105-9635</b>	105-9635	Brush - Groomer	1	
4	<b>R106-8535</b>	106-8535	RH Lift Arm Assy	1	
5	<b>R106-8536</b>	106-8536	LH Lift Arm Assy	1	
6	<b>R106-2630</b>	106-2630	Idler Bearing Assy	1	
7	<b>R104-4727</b>	104-4727	Ring - Retaining	1	
8	<b>R251-259</b>	251-259, 251-307	Bearing - Ball	2	
9	<b>R106-8521</b>	106-8521	Decal-Warning	1	
10	<b>R110-1700</b>	110-1700, 66-4460	Spring-Extension	1	
11	<b>R106-8527</b>	106-8527	Bushing	1	
12	<b>R256-2</b>	256-2	Bushing - Idler Pulley	2	
13	<b>R106-8530</b>	106-8530	Seal - Oil	4	
14	<b>R107-8105</b>	106-8520, 107-8105	Bearing-Ball - Extended	4	
15	<b>R106-8463</b>	106-8463	Shim-Groomer	1	
16	<b>R106-8482</b>	106-8482	Adjuster-Groomer	2	

All original equipment manufacturers names and part numbers are used for identification purposes only, and we are in no way implying that our products are original equipment parts. Prices subject to change without notice.



# Replaces Toro Greensmaster TriFlex 3320 Parts

*DPA Cutting Unit - Models 04613, 04614 & 04615  
Groomer*



Item No	R&R Part No.	OEM Part No.	Description	Qty Req	Order Quantity
17	<b>R256-42</b>	256-42	Bushing	2	
18	<b>R104-4754</b>	104-4754	Spring-Detent	2	
19	<b>R106-8489</b>	106-8489	Bushing-Sleeve	4	
20	<b>R106-8528</b>	106-8528	Screw - Lock	2	
21	<b>R107-8107</b>	106-8490, 107-8107	Washer - Wave	2	
22	<b>R32120-19</b>	32120-19, 32120-81	E-Ring	2	
23	<b>R115-5219</b>	115-5219	Pulley-Driven, Splined	1	
24	<b>R121-4605</b>	121-4506, 121-4605	Washer - Spring - Curved	2	
25	<b>R106-4237</b>	106-4237	Bearing	2	
26	<b>R150690</b>	108-0989	Screw - Set 1/4-20 x 1/4	1	
27	<b>R302-40</b>	302-13, 302-40	Fitting - Grease	2	
28	<b>R43-5930</b>	01-176-0030, 43-5930	Washer - Lock M6	2	
29	<b>R70-1350</b>	70-1350	Spacer - 1/4 Fits Groomer Shaft	82	

All original equipment manufacturers names and part numbers are used for identification purposes only, and we are in no way implying that our products are original equipment parts. Prices subject to change without notice.