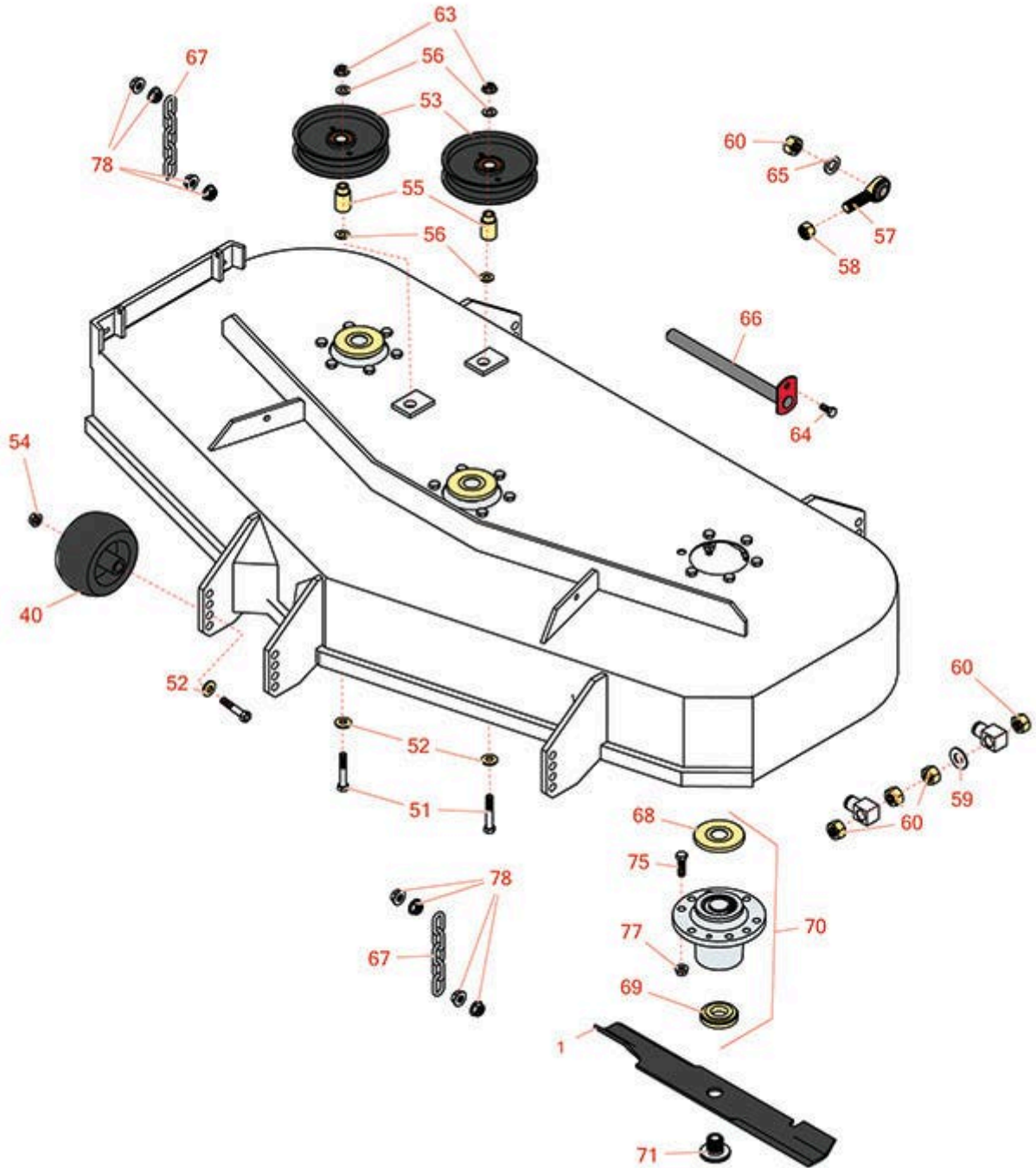




# Replaces Exmark Lazer Z HP-Series Parts

Zero-Turn Mower with 52 in Deck - Models LHP23KC523,  
LHP27KC523  
52in Deck



All original equipment manufacturers names and part numbers are used for identification purposes only, and we are in no way implying that our products are original equipment parts. Prices subject to change without notice.



# Replaces Exmark Lazer Z HP-Series Parts

Zero-Turn Mower with 52 in Deck - Models LHP23KC523,  
LHP27KC523  
52in Deck



Item No	R&R Part No.	OEM Part No.	Description	Qty Req	Order Quantity
<b>Blades</b>					
1	<b>RRB3065-1803</b>	103-6402, 103-6402-S, 106-6402	Mower Blade - High-Lift 18 x 2.5in x 15/16 Mt Hole	3	
<b>Other parts</b>					
40	<b>R68-2730</b>	1-603299	Wheel - Anti Scalp	5	
51	<b>R323-11</b>	323-11	Bolt - 3/8-16 x 2 1/4 GR5	2	
52	<b>R98-5975</b>	98-5975	Washer - Belleville	10	
53	<b>R1-613098</b>	1-613098	Pulley- Idler	1	
54	<b>R104-8301</b>	104-8301, 109-6658	Locknut - 3/8-16 Nylon Flanged	5	
55	<b>R1-413113</b>	1-413113	Bushing - Idler	2	
56	<b>R453011</b>	3256-23, 3256-24, 3256-3, 3256-4, 80-7730	Washer - Flat 3/8 SAE Y/Zinc	12	
57	<b>R1-633029</b>	1-633029	Ball Joint - 5/8-18 RH Thread	2	
58	<b>R3219-6</b>	3219-6	Nut - 5/8-18 Gr 8 Hex	2	
59	<b>R3256-27</b>	3256-27	Washer - Flat 5/8 SAE	2	
60	<b>R3217-11</b>	3217-11	Nut - Hex 5/8-11	10	
63	<b>R32128-43</b>	32128-43, 3290-357, 3296-29	Nut - Flanged Whiz - 3/8-16	3	
64	<b>R322-3</b>	322-2, 322-3	Bolt - Hex HD 5/16-18 x 3/4	2	
65	<b>RF104</b>	3253-8	Washer - Lock 5/8	2	

All original equipment manufacturers names and part numbers are used for identification purposes only, and we are in no way implying that our products are original equipment parts. Prices subject to change without notice.



# Replaces Exmark Lazer Z HP-Series Parts

Zero-Turn Mower with 52 in Deck - Models LHP23KC523,  
LHP27KC523  
52in Deck



Item No	R&R Part No.	OEM Part No.	Description	Qty Req	Order Quantity
66	<b>R1-632199-01</b>	1-632199-01	Pin - Strut	2	
67	<b>R1-633447</b>	1-633447	Chain - Deck Lift	4	
68	<b>R103-1330</b>	103-1330	Guard - Bearing - Top	3	
69	<b>R103-2535</b>	103-2535	Spacer-Guard, Bottom	3	
70	<b>R103-8280</b>	103-8280	Spindle Assy w/Bearings	3	
71	<b>R103-3037</b>	103-3037	Splined Bushing	3	
75	<b>R400264</b>	323-29, 323-7	Bolt - Hex HD 3/8-16 x 1-1/4	18	
77	<b>R3296-39</b>	32128-43, 3296-39	Locknut - 3/8-16 Nylon	19	
78	<b>R32128-37</b>	32128-37	Nut - 7-16-14 Hx Serr Fl	16	

All original equipment manufacturers names and part numbers are used for identification purposes only, and we are in no way implying that our products are original equipment parts. Prices subject to change without notice.