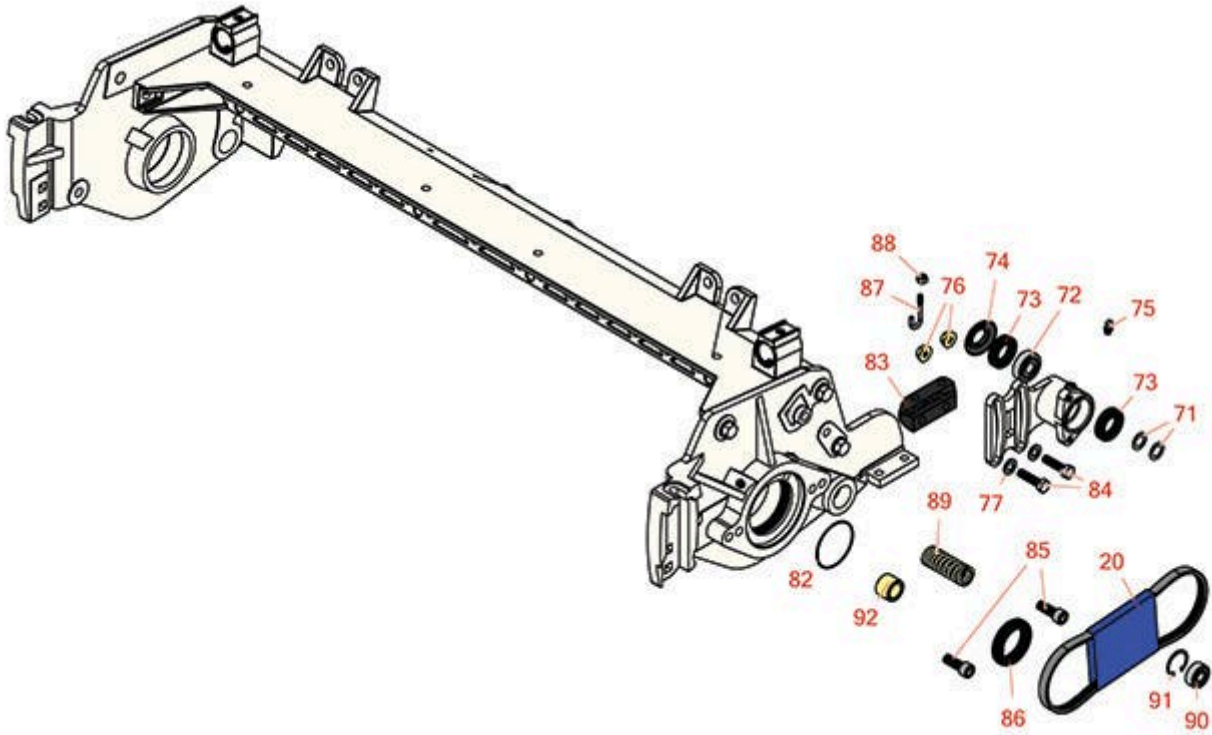




Replaces Toro Reelmaster 7000-D Parts

32in DPA Cutting Unit - Model 03727

Rear Roller Brush - Model 03246



All original equipment manufacturers names and part numbers are used for identification purposes only, and we are in no way implying that our products are original equipment parts. Prices subject to change without notice.



Replaces Toro Reelmaster 7000-D Parts

32in DPA Cutting Unit - Model 03727

Rear Roller Brush - Model 03246



| Item No | R&R Part No. | OEM Part No. | Description | Qty Req | Order Quantity |
|------------------------------|------------------|------------------------------------------------------------------------------------------------------------------------------------------------|----------------------------------|---------|----------------|
| Belts | | | | | |
| 20 | R150622 | 115-0828 | Belt- Brush, 7-INCH Reels | 1 | |
| Other Parts Available | | | | | |
| 71 | R112-6957 | 112-6957 | Washer - Hardened | 2 | |
| 72 | R95-0707 | 95-0707 | Bearing - Self Aligning | 2 | |
| 73 | R106-8530 | 106-8530 | Seal - Oil | 4 | |
| 74 | R108-4172 | 108-4172 | Seal - Excluder | 2 | |
| 75 | R302-5 | 21-6010, 302-11, 302-37, 302-47, 302-5, 302-57, 302-58, 302-6, 31-0300, 32-9660, 60-0800, 62-3880, 92-4181 | Fitting - Grease | 2 | |
| 76 | R104-8300 | 104-8300, 104-8300 , 119-4041 | Locknut - 5/16-18 Flanged Y/Zinc | 4 | |
| 77 | R94-6936 | 94-6936, 94-9236 | Washer - Hardened - 5/16 SAE | 4 | |
| 82 | R112-6967 | 112-6967 | O-Ring | 1 | |
| 83 | R108-4480 | 108-4480 | Bracket - Rear Roller Brush | 2 | |
| 84 | R322-16 | 322-16, Apr-00 | Bolt - Hex HD 5/16-18 x 1-1/8 | 4 | |
| 85 | R3274-7 | 3247-7, 3274-7 | Bolt - Soc HD Cap 3/8-16 x 1 | 2 | |

All original equipment manufacturers names and part numbers are used for identification purposes only, and we are in no way implying that our products are original equipment parts. Prices subject to change without notice.



Replaces Toro Reelmaster 7000-D Parts

32in DPA Cutting Unit - Model 03727

Rear Roller Brush - Model 03246



| Item No | R&R Part No. | OEM Part No. | Description | Qty Req | Order Quantity |
|---------|------------------|---------------------------------|----------------------------|---------|----------------|
| 86 | R240-7 | 240-7 | Grommet - Rubber - 2 in OD | 1 | |
| 87 | R105-9632 | 105-9632 | Bolt - J | 2 | |
| 88 | R3296-2 | 32127-10, 3296-2, 9157404 | Nut - #10 Lock | 2 | |
| 89 | R115-0839 | 115-0839 | Spring - Idler - SS | 1 | |
| 90 | R110-1701 | 110-1701 | Bearing | 1 | |
| 91 | R32151-60 | 32151-60 | Ring - Snap | 1 | |
| 92 | R108-4477 | 108-4477 | Spacer | 1 | |

All original equipment manufacturers names and part numbers are used for identification purposes only, and we are in no way implying that our products are original equipment parts. Prices subject to change without notice.