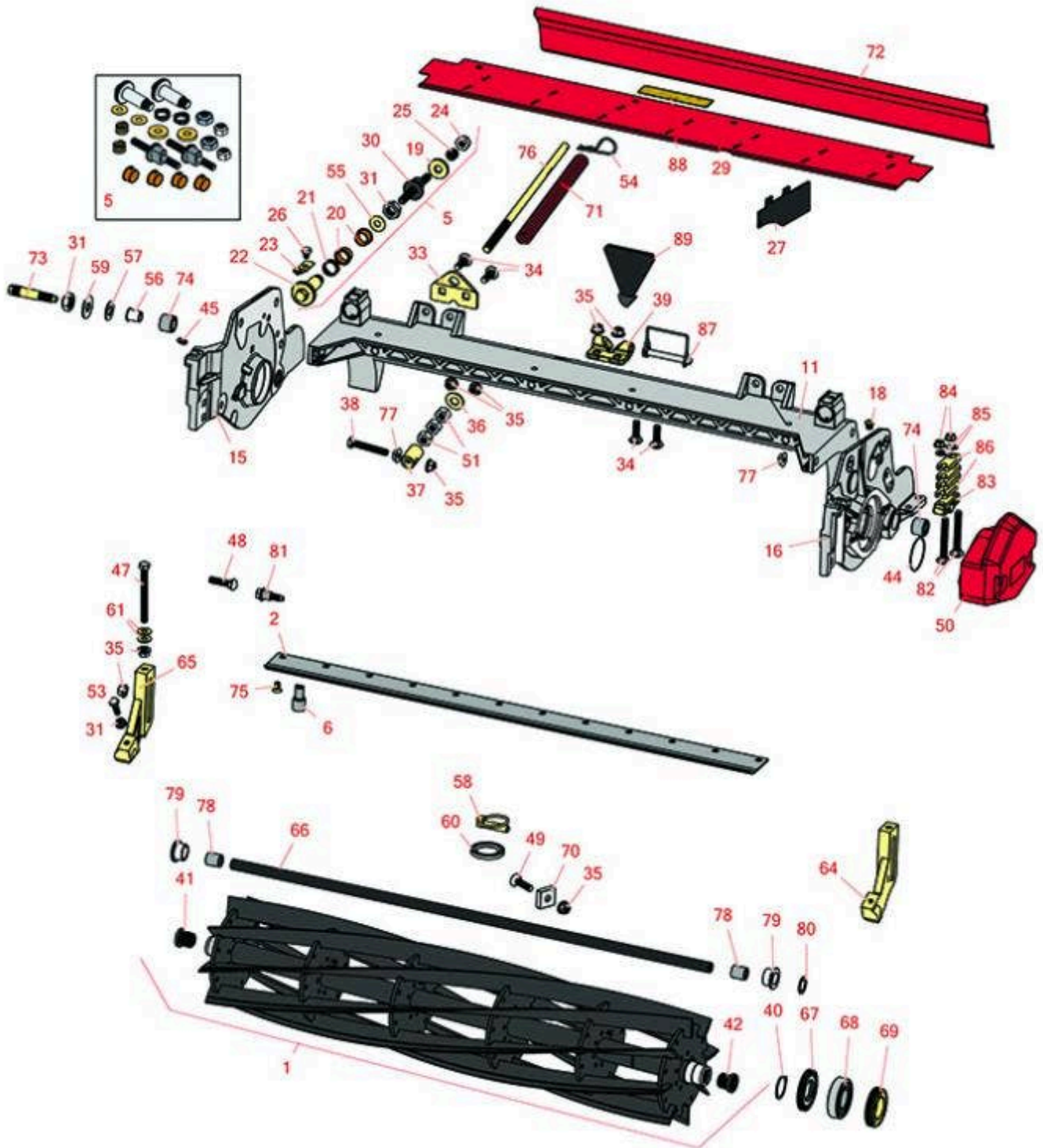




# Replaces Toro Reelmaster 7000-D Parts

32in Cutting Unit - Model 03712  
Reel & Bedknife



All original equipment manufacturers names and part numbers are used for identification purposes only, and we are in no way implying that our products are original equipment parts. Prices subject to change without notice.



# Replaces Toro Reelmaster 7000-D Parts

32in Cutting Unit - Model 03712  
Reel & Bedknife



Item No	R&R Part No.	OEM Part No.	Description	Qty Req	Order Quantity
---------	--------------	--------------	-------------	---------	----------------

## R&R Reels Lifetime Guaranteed

1	<b>R127-2104</b>	115-8282, 127-2104	Reel - 5 Blade Radial 32x7	0	
---	------------------	-----------------------	----------------------------	---	--

*Tech Note: Includes R107-3275 & R107-3276 Threaded Insert:*

1	<b>R127-2105</b>	127-2105	Reel - 8 Blade Radial 32x7	1	
---	------------------	----------	----------------------------	---	--

*Tech Note: Includes R107-3275 & R107-3276 Threaded Insert:*

1	<b>R115-8286</b>	115-8286	Reel - 8 Blade 32x7	1	
---	------------------	----------	---------------------	---	--

*Tech Note: Includes R107-3275 & R107-3276 Threaded Insert:*

## R&R Bedknife, Lifetime Guaranteed

2	<b>R114-9389</b>	114-9389	Bedknife - 32 in Unit - Standard	1	
---	------------------	----------	----------------------------------	---	--

2	<b>R114-9391</b>	114-9391	Bedknife - 32 in Unit - Heavy Duty	1	
---	------------------	----------	------------------------------------	---	--

## R&R Razor Tool Steel Bedknives, Lifetime Guaranteed

2	<b>R112-8956</b>	112-8956	Bedknife - Razor Tool Steel - 32 x 3/8 Fairway	1	
---	------------------	----------	--	---	--

## Overhaul Kits

5	<b>R120-7230</b>	120-7230	Overhaul Kit - Fits DPA Units	0	
---	------------------	----------	-------------------------------	---	--

*Tech Note: Incl 2 ea.: R108-0015, R115-7039, R119-4155, R120-5116, R120-5118, R120-5120, R3296-33, R3296-48 & 4 ea: R106-5344:*

6	<b>R51-0880</b>	51-0880	Bedknife Screw Driver Tool	0	
---	-----------------	---------	----------------------------	---	--

## Other Parts Available

11	<b>R112-8978</b>	112-8978	Frame - Center 32 in Unit	1	
----	------------------	----------	---------------------------	---	--

15	<b>R108-9083</b>	108-9083	Side Plate - RH - Fits OEM Units Only	1	
----	------------------	----------	---------------------------------------	---	--

16	<b>R108-9082</b>	108-9082	Side Plate - LH - Fits OEM Units Only	1	
----	------------------	----------	---------------------------------------	---	--

All original equipment manufacturers names and part numbers are used for identification purposes only, and we are in no way implying that our products are original equipment parts. Prices subject to change without notice.



# Replaces Toro Reelmaster 7000-D Parts

32in Cutting Unit - Model 03712  
Reel & Bedknife



Item No	R&R Part No.	OEM Part No.	Description	Qty Req	Order Quantity
18	<b>R170714</b>	302-34, 302-39, 62-3520	Fitting - Pressure Relief	2	
19	<b>R119-4155</b>	119-4155	Washer - Hardened	2	
20	<b>R106-5344</b>	106-5344	Bushing - Flanged and Keyed	4	
21	<b>R120-5116</b>	120-5116	Washer - Wave	2	
22	<b>R120-5118</b>	120-5118	Shaft - Adjuster	2	
<i>Tech Note: 2012 &amp; Newer:</i>					
23	<b>R99-2097</b>	99-2097	Detent - Bed Bar Adjuster	2	
24	<b>R3296-48</b>	119-4039, 32146-7, 3296-34, 3296-48	Locknut - 7/16-14 ESNA	2	
25	<b>R120-5120</b>	120-5120	Spring - Compression	2	
26	<b>R114-9396</b>	114-9396, 119-4067	Bolt - Hex HD 5/16-18 x 3/8	2	
27	<b>R110-1706</b>	110-1706	Deflector	7	
29	<b>R112-8983</b>	112-8983	Front Grass Shield Assy - 32 in Units	1	
30	<b>R115-7039</b>	115-7039	Screw - Adjuster - Bedbar	2	
31	<b>R3296-33</b>	3296-33	Locknut - 5/8-18 ESNA Jam	2	
33	<b>R110-4069</b>	110-4069	Bracket	1	
34	<b>R3231-25</b>	01-173-0610, 30-9970, 3231-25, 3231-3, 900064P	Bolt - Carriage 3/8-16 x 1-1/4	4	

All original equipment manufacturers names and part numbers are used for identification purposes only, and we are in no way implying that our products are original equipment parts. Prices subject to change without notice.



# Replaces Toro Reelmaster 7000-D Parts

32in Cutting Unit - Model 03712  
Reel & Bedknife



Item No	R&R Part No.	OEM Part No.	Description	Qty Req	Order Quantity
35	<b>R104-8301</b>	104-8301, 104-9301, 109-6658, 133-7570	Locknut - 3/8-16 Nylon Flanged	7	
36	<b>R87-7270-01</b>	87-7270, 87-7270-01	Washer - Flat 1/2	1	
37	<b>R99-8662</b>	99-8662	Tube - Spring	1	
38	<b>R104-3396</b>	104-3396	Bolt - Hex HD 3/8-16 x 2-1/4	1	
39	<b>R110-4058</b>	110-4058	Bracket - Chain	1	
40	<b>R92-2601</b>	92-2601	Snap Ring	2	
41	<b>R107-3275</b>	107-3275	Insert - Threaded - RH - 9 Tooth	1	
42	<b>R107-3276</b>	107-3276	Insert - Threaded - LH - 9 Tooth	1	
44	<b>R112-6967</b>	112-6967	O-Ring	2	
45	<b>R302-5</b>	21-6010, 302-11, 302-37, 302-47, 302-5, 302-57, 302-58, 302-6, 31-0300, 32-9660, 60-0800, 62-3880, 92-4181	Fitting - Grease	2	
47	<b>R107-4026</b>	107-4026	Bolt - Hex Tap 3/8-16 x 3-3/4	2	
48	<b>R3231-4</b>	01-157-0440, 01-173-0612, 3231-4	Bolt - Carriage 3/8-16 x 1-1/2	2	
49	<b>R3289-17</b>	3289-17	Screw - 3/8-16 x 1 1/2 Fl Soc HD	2	

All original equipment manufacturers names and part numbers are used for identification purposes only, and we are in no way implying that our products are original equipment parts. Prices subject to change without notice.



# Replaces Toro Reelmaster 7000-D Parts

32in Cutting Unit - Model 03712

Reel & Bedknife



Item No	R&R Part No.	OEM Part No.	Description	Qty Req	Order Quantity
51	<b>R443818</b>	01-191-0813, 3218-18, 3218-5, 3248-18	Nut - 1/2-13 Hex Jam Zinc	2	
50	<b>R119-0614-01</b>	119-0614-01	Weight	1	
53	<b>R322-16</b>	322-16, Apr-00	Bolt - Hex HD 5/16-18 x 1-1/8	2	
54	<b>R92-2762</b>	92-2762	Pin - Snap	1	
55	<b>R108-0015</b>	108-0015	Washer - Flat	2	
56	<b>R56-9520</b>	56-9520	Bushing - Nyliner	2	
57	<b>R61-1950</b>	61-1950	Washer - Nylon - Bed Bar	2	
58	<b>R283-71</b>	283-71	Pin - Lynch Heavy Duty	1	
59	<b>R453017</b>	01-166-0050, 01-166-0240, 01-166-0800, 24-13-AD, 24-14-AD, 32-8110, 3256-26, 3256-6, 453017, 69-8980, 87-7270	Washer - Flat 1/2	2	
60	<b>R94-8946</b>	94-1427, 94-8946	Washer - Thrust	1	

All original equipment manufacturers names and part numbers are used for identification purposes only, and we are in no way implying that our products are original equipment parts. Prices subject to change without notice.



# Replaces Toro Reelmaster 7000-D Parts

32in Cutting Unit - Model 03712  
Reel & Bedknife



Item No	R&R Part No.	OEM Part No.	Description	Qty Req	Order Quantity
61	<b>R453011</b>	01-166-0100, 01-166-0120, 01-166-0270, 01-166-0500, 01-166-0600, 01-166-0620, 132-4593, 2356-3, 237-12, 24-10-AD, 24-11-AD, 24-11-BD, 24-12-AD, 24-12-BD, 30-9310, 32-8190, 3256-24, 3256-3, 3256-36, 3256-4, 453011, 47-9950, 48-9220, 513458, 7-0052	Washer - Flat 3/8 SAE Y/Zinc	4	
64	<b>R120-0404</b>	120-0404	Bracket- High HOC - LH	1	
<i>Tech Note: Fits 2011 &amp; Newer:</i>					
65	<b>R120-0405</b>	120-0405	Bracket - High HOC - RH	1	
<i>Tech Note: Fits 2011 &amp; Newer:</i>					
66	<b>R119-4262</b>	119-4262	Tube - Support - 32 in Units	1	
67	<b>R107-4028</b>	105-6757, 107-4028	Seal - Grease	2	
68	<b>R93-2489</b>	93-2489	Bearing - Reel	2	
69	<b>R107-2954</b>	107-2954	Nut - Bearing Adjuster	1	
70	<b>R119-1603</b>	119-1603	Spacer - Pivot	2	
71	<b>R119-4285</b>	119-4285	Spring - Compression	1	

All original equipment manufacturers names and part numbers are used for identification purposes only, and we are in no way implying that our products are original equipment parts. Prices subject to change without notice.



# Replaces Toro Reelmaster 7000-D Parts

32in Cutting Unit - Model 03712  
Reel & Bedknife



Item No	R&R Part No.	OEM Part No.	Description	Qty Req	Order Quantity
72	<b>R112-8985-01</b>	112-8985-01	Rear Grass Shield Assy - 32 in Units	1	
73	<b>R106-9623</b>	106-9623	Bolt - Bedbar	2	
74	<b>R106-9618</b>	106-9618	Bushing - Rubber	2	
75	<b>R119-4151</b>	119-4151	Screw - Bedknife 5/16-18 x 17/32	10	
76	<b>R115-2007</b>	107-7437, 115-2007	Rod - Spring	1	
77	<b>R32128-43</b>	30-8990, 32128-43, 3290-357	Nut - Flanged Whiz - 3/8-16	7	
78	<b>R108-4279</b>	108-4279	Spacer - Frame	2	
79	<b>R93-2877</b>	93-2877	Bushing - Flanged	2	
80	<b>R67-9410</b>	67-9410	Washer - Clevis Pin	2	
81	<b>R107-2979</b>	107-2979	Bolt - Shoulder	6	
82	<b>R3230-26</b>	3230-26	Screw - Carriage 5/16-18 x 3	4	
82	<b>R3230-30</b>	3230-30	Bolt - Carriage 5/16x4 1/2	4	
83	<b>R106-3924</b>	106-3924	Bracket - Rear Roller	2	
84	<b>R104-8300</b>	104-8300, 104-8300, 119-4041	Locknut - 5/16-18 Flanged Y/Zinc	4	
85	<b>R94-6936</b>	94-6936, 94-9236	Washer - Hardened - 5/16 SAE	4	
86	<b>R119-0626</b>	119-0626	Shim - Roller - 1/4 in - Slotted	12	
87	<b>R107-7400</b>	107-7400	Pin - Lynch	1	
88	<b>R93-6688</b>	93-6688	Decal - Warning	1	

All original equipment manufacturers names and part numbers are used for identification purposes only, and we are in no way implying that our products are original equipment parts. Prices subject to change without notice.



# Replaces Toro Reelmaster 7000-D Parts

32in Cutting Unit - Model 03712  
Reel & Bedknife



Item No	R&R Part No.	OEM Part No.	Description	Qty Req	Order Quantity
89	<b>R110-4088-03</b>	110-4088-03, 119-8010-03	Kickstand	1	

All original equipment manufacturers names and part numbers are used for identification purposes only, and we are in no way implying that our products are original equipment parts. Prices subject to change without notice.