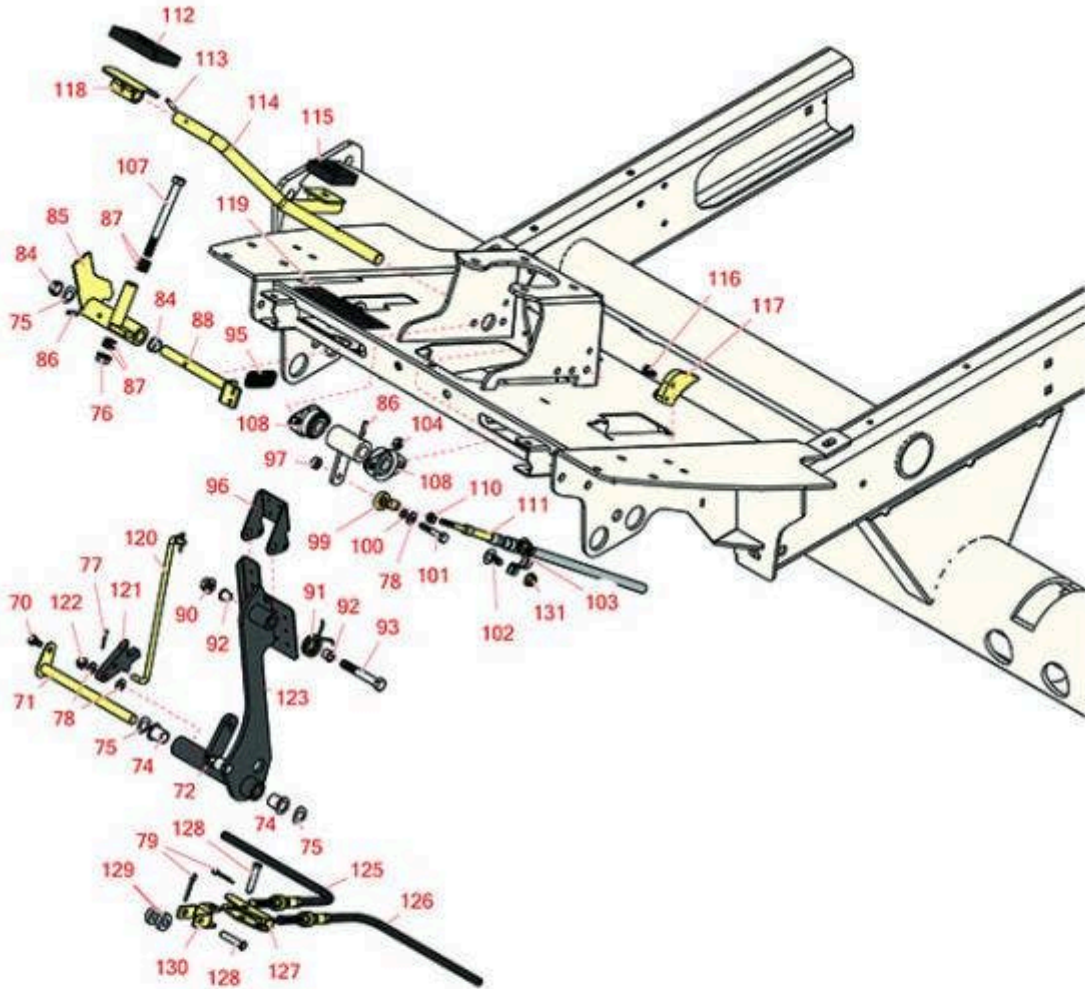




# Replaces Toro Reelmaster 5410-D Parts

*Traction Unit - with Yanmar Engine*

*Traction Pedal*



All original equipment manufacturers names and part numbers are used for identification purposes only, and we are in no way implying that our products are original equipment parts. Prices subject to change without notice.



# Replaces Toro Reelmaster 5410-D Parts

*Traction Unit - with Yanmar Engine*

*Traction Pedal*



Item No	R&R Part No.	OEM Part No.	Description	Qty Req	Order Quantity
70	<b>R300403</b>	32144-4, 32144-63, 49-2040	Bolt - Hex HD 1/4-20 x 1/2	1	
71	<b>R104-7179</b>	104-7179, 99-7169	Pivot-Pedal	1	
72	<b>R302-60</b>	302-60	Zerk - Grease 90 Deg.	1	
74	<b>R256-155</b>	256-155, 265-155	Bushing - Flanged	2	
75	<b>R110-8982</b>	110-8982	Washer - Spring	2	
76	<b>R3296-39</b>	32127-25, 32128-36, 3290-357, 3296-17, 3296-22, 3296-39, 915663P, 99-7443	Locknut - 3/8-16 Nylon	1	
77	<b>R1023-4</b>	01-151-0150, 1023-4, 19-6220, 214-14, 215-54, 28-9-D, 3272-4, 3272-6, 513567, 932008P	Pin - Cotter 3/32 x 3/4	1	
78	<b>R3256-22</b>	24-9-BD, 3-1032, 3256-1, 3256-22, 93-0954, 93-0989	Washer - Flat 1/4 Yellow	3	
79	<b>R3272-10</b>	01-151-0120, 105-7512, 3272-10, N/A	Pin - Cotter 1/8 x 3/4	2	

All original equipment manufacturers names and part numbers are used for identification purposes only, and we are in no way implying that our products are original equipment parts. Prices subject to change without notice.



# Replaces Toro Reelmaster 5410-D Parts

*Traction Unit - with Yanmar Engine*

*Traction Pedal*



Item No	R&R Part No.	OEM Part No.	Description	Qty Req	Order Quantity
84	<b>R256-156</b>	256-156, 256-219	Bushing - Flanged	2	
85	<b>R117-8066</b>	117-8066	Mow-Stop	1	
86	<b>R32121-6</b>	32121-6	Pin - Roll 3/16 x 1-1/4	2	
87	<b>R62-4420</b>	62-4420	Washer	8	
88	<b>R106-3731</b>	106-3731	Rod-Pivot	1	
90	<b>R104-8301</b>	104-8301, 104-9301, 109-6658, 133-7570	Locknut - 3/8-16 Nylon Flanged	1	
91	<b>R99-7140</b>	99-7140	Spring-Torsion	1	
92	<b>R52-2891</b>	52-2891	Bushing- Nylon	1	
93	<b>R101526</b>	01-150-0970, 01-178-0620, 101526, 20-53-AGD, 321-11, 3224-8, 323-11, 323-12, 323-31, 323-4, 323-47	Bolt - Hex HD 3/8-16 x 2-1/2 GR5	1	
95	<b>R92-7305</b>	92-7305	Spring-Extension	1	
96	<b>R99-7963-03</b>	99-7963-03	Pedal - Park	1	
97	<b>R301504</b>	2296-42, 301504, 32127-24, 32128-33, 32146-17, 3296-16, 3296-42, 3296-42, 915661P	Locknut - ESNA 1/4-20	1	

All original equipment manufacturers names and part numbers are used for identification purposes only, and we are in no way implying that our products are original equipment parts. Prices subject to change without notice.



# Replaces Toro Reelmaster 5410-D Parts

*Traction Unit - with Yanmar Engine*

*Traction Pedal*



Item No	R&R Part No.	OEM Part No.	Description	Qty Req	Order Quantity
99	<b>R2411-41</b>	2411-41	Rod End - Ball Joint	1	
100	<b>R24M7139</b>	24M7139, 3256-16, 33093-00, 43-5930	Washer - Flat 6mm	1	
100	<b>R6050-103</b>	48-8010, 48-8030	Washer - Flat	1	
101	<b>R400116</b>	20-7-AD, 30-9680, 321-69, 321-9, 3222-3, 400116	Bolt - Hex HD 1/4-20 x 1-1/2	1	
102	<b>R3230-23</b>	3230-23, Mar-61	Bolt - 5/16-18x3/4 - Carriage	6	
103	<b>R93-2092</b>	93-2092	Clamp - Cable	1	
104	<b>R3296-29</b>	1-804256, 3290-357, 3296-29, 915662P	Locknut - 5/16-18 ESNA	4	
107	<b>R323-17</b>	323-17	Bolt - Hex HD 3/8-16 x 4	1	
108	<b>R256-236</b>	256-236, Oct-40	Bearing - 5/8 Flanged 2 Bolt	2	
110	<b>R3220-1</b>	3220-1	Nut - 1/4-28 Jam	1	
111	<b>R107-2084</b>	107-2084	Traction Cable Assy	1	
112	<b>R74-9100</b>	74-9100	Rubber Foot Pad - Forward	1	
113	<b>R32121-45</b>	32121-113, 32121-45, 32121-92	Pin - Spring Roll 5/32 x 1	1	
114	<b>R106-3840</b>	106-3840	Pedal-Traction	1	

All original equipment manufacturers names and part numbers are used for identification purposes only, and we are in no way implying that our products are original equipment parts. Prices subject to change without notice.



# Replaces Toro Reelmaster 5410-D Parts

*Traction Unit - with Yanmar Engine*

*Traction Pedal*



Item No	R&R Part No.	OEM Part No.	Description	Qty Req	Order Quantity
115	<b>R74-9110</b>	74-9110	Rubber Foot Pad - Reverse	1	
116	<b>R3234-13</b>	3234-13, 960151P	Bolt - Flanged Hex 1/4-20	2	
117	<b>R99-7214</b>	99-7214	Pawl - Brake	1	
118	<b>R49-6440-03</b>	117-9507, 49-6440, 49-6440-03	Pedal - Forward Assy	1	
119	<b>R110-8921</b>	110-8921	Decal-Speed, Mow	1	
120	<b>R115-0129</b>	115-0129	Rod-Pawl - Brake	1	
121	<b>R117-0238</b>	117-0238	Detent	1	
122	<b>R104-7201</b>	104-7201	Locknut - 1/4-20 ESNA Flanged	1	
123	<b>R115-0120-03</b>	115-0120-03	Pedal - Brake	1	
125	<b>R117-0106</b>	117-0106	Cable - Brake - RH	1	
<i>Tech Note: Fits 2010 &amp; Up:</i>					
126	<b>R117-0107</b>	117-0107	Cable - Brake - LH	1	
<i>Tech Note: Fits 2010 &amp; Up:</i>					
127	<b>R115-8059</b>	115-8059	Yoke - Cable	1	
128	<b>R283-14</b>	283-14	Pin - Clevis	2	
129	<b>R5-0652</b>	5-0652	Spacer	2	
130	<b>R115-8060</b>	115-8060	Clevis - Double	1	
131	<b>R104-8300</b>	104-8300, 104-8300, 119-4041	Locknut - 5/16-18 Flanged Y/Zinc	2	

All original equipment manufacturers names and part numbers are used for identification purposes only, and we are in no way implying that our products are original equipment parts. Prices subject to change without notice.