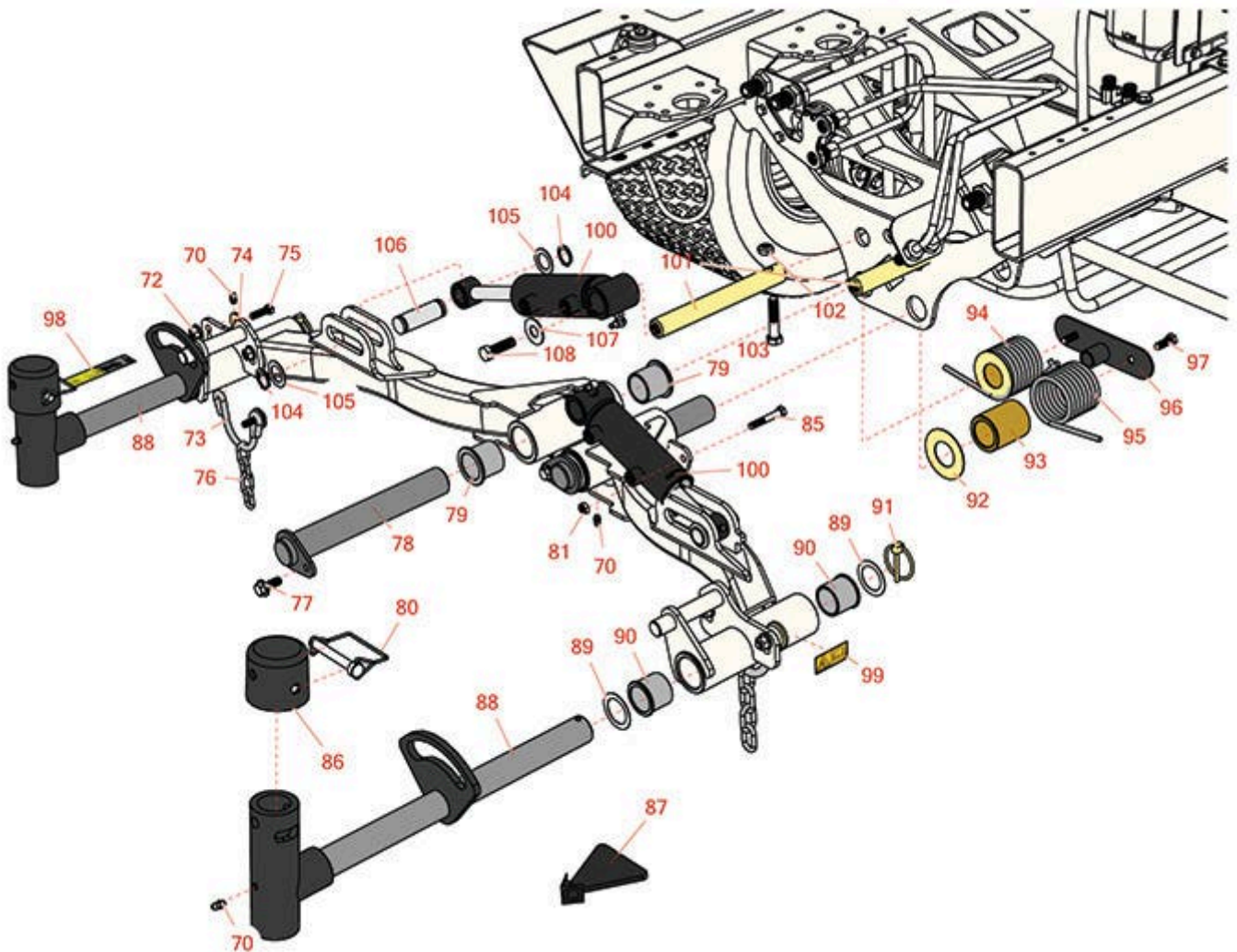




Replaces Toro Reelmaster 5410-D Parts

Traction Unit - with Yanmar Engine
Rear Lift Arm



All original equipment manufacturers names and part numbers are used for identification purposes only, and we are in no way implying that our products are original equipment parts. Prices subject to change without notice.



Replaces Toro Reelmaster 5410-D Parts

*Traction Unit - with Yanmar Engine
Rear Lift Arm*



Item No	R&R Part No.	OEM Part No.	Description	Qty Req	Order Quantity
Other Parts Available					
70	R302-5	21-6010, 302-11, 302-37, 302-47, 302-5, 302-57, 302-58, 302-6, 31-0300, 32-9660, 60-0800, 62-3880, 92-4181	Fitting - Grease	4	
72	R104-8301	104-8301, 104-9301, 109-6658, 133-7570	Locknut - 3/8-16 Nylon Flanged	4	
73	R110-0922	110-0922	Hoop - Chain	2	
74	R63-8410	53-6380, 63-4810, 63-8410	Washer - Isolator Bushing	4	
75	R400264	01-150-0180, 01-178-0610, 20-48-AD, 20-48-AGD, 32-9160, 3224-3, 323-29, 323-7, 400264, 908035P	Bolt - Hex HD 3/8-16 x 1-1/4	4	
76	R84-2450	84-2450	Chain - Straight 4	2	
77	R32144-14	32104-32, 32104-49, 32144-14	Bolt - Hex Washer 5/16-18 x 5/8	2	
78	R107-2062	107-2062	Pin Assy	2	

All original equipment manufacturers names and part numbers are used for identification purposes only, and we are in no way implying that our products are original equipment parts. Prices subject to change without notice.



Replaces Toro Reelmaster 5410-D Parts

*Traction Unit - with Yanmar Engine
Rear Lift Arm*



Item No	R&R Part No.	OEM Part No.	Description	Qty Req	Order Quantity
79	R69-6470	69-6470	Bushing - Flanged	4	
80	R107-7400	107-7400	Pin - Lynch	2	
81	R3296-29	1-804256, 3290-357, 3296-29, 915662P	Locknut - 5/16-18 ESNA	2	
85	R322-10	20-30-AD, 24-7180, 322-10, 322-10 , 3223-6, 513347	Bolt - Hex HD 5/16-18 x 2	2	
86	R107-4027	107-4027	Cap - Pivot Yoke	2	
87	R110-4088-03	110-4088-03, 119-8010-03	Kickstand	1	
88	R107-2052	107-2052, 138-1248	Pivot Yoke Assy	2	
89	R76-2980	76-2980	Washer - Thrust	4	
90	R104-0015	104-0015, 104-8339	Bushing - Flanged	4	
91	R92-1298	92-1298	Pin - Klik	2	
92	R110-5345	110-5345	Washer	2	
93	R110-5339	110-5339	Spacer	2	
94	R99-5608-03	99-5608, 99-5608-03	Spring-Torsion, RH	1	
95	R99-5609-03	99-5609, 99-5609-03	Spring-Torsion, LH	1	
96	R110-8874-03	110-8874-03	Catch Assy	1	
97	R3234-11	3234-11	Bolt - Hex Washer HD	2	

All original equipment manufacturers names and part numbers are used for identification purposes only, and we are in no way implying that our products are original equipment parts. Prices subject to change without notice.



Replaces Toro Reelmaster 5410-D Parts

*Traction Unit - with Yanmar Engine
Rear Lift Arm*



Item No	R&R Part No.	OEM Part No.	Description	Qty Req	Order Quantity
98	R110-9642	110-9642	Decal	2	
99	R93-6696	93-6696	Decal - Warning	2	
100	R119-6988	119-6988	Hydraulic Cylinder	2	
101	R117-0148	117-0148	Pin - Hyd Cyl	2	
102	R3296-59	3296-59	Locknut - 3/8-16 Nylon Jam	2	
103	R323-9	01-150-0190, 01-150-1540, 01-178-0614, 107229, 20-50-AD, 20-50-AGD, 30-9430, 32105-4, 3224-5, 323-9, 513363, 513364, 5377, 908037P	Bolt - Hex HD 3/8-16 x 1-3/4	2	
104	R32120-93	32120-93	Snap Ring - HD	4	
105	R3-6498	3--6498, 3-6498, 47-8270	Washer - Thrust	4	
106	R104-0046	104-0046	Pin - Slide - Cylinder	2	
107	R453017	01-166-0050, 01-166-0240, 01-166-0800, 24-13-AD, 24-14-AD, 32-8110, 3256-26, 3256-6, 453017, 69-8980, 87-7270	Washer - Flat 1/2	2	

All original equipment manufacturers names and part numbers are used for identification purposes only, and we are in no way implying that our products are original equipment parts. Prices subject to change without notice.



Replaces Toro Reelmaster 5410-D Parts

*Traction Unit - with Yanmar Engine
Rear Lift Arm*



Item No	R&R Part No.	OEM Part No.	Description	Qty Req	Order Quantity
108	R325-7	01-150-0380, 01-178-0814, 3226-3, 325-7, 48-9490	Bolt - 1/2-13 x 1 3/4 Hex HD Gr 5	2	

All original equipment manufacturers names and part numbers are used for identification purposes only, and we are in no way implying that our products are original equipment parts. Prices subject to change without notice.