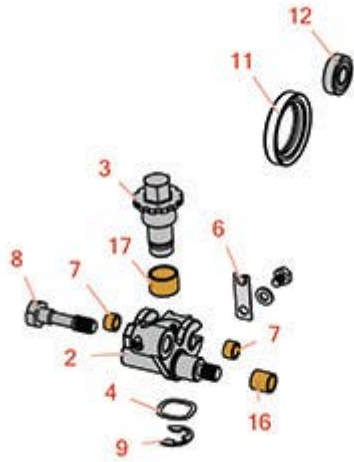




Replaces Toro Greensmaster Flex 1800 Parts



*DPA Cutting Unit - Model 04253 & 04254
Groomer Drive - Counter-Rotating Model 04260*



All original equipment manufacturers names and part numbers are used for identification purposes only, and we are in no way implying that our products are original equipment parts. Prices subject to change without notice.



Replaces Toro Greensmaster Flex 1800 Parts



*DPA Cutting Unit - Model 04253 & 04254
Groomer Drive - Counter-Rotating Model 04260*

Item No	R&R Part No.	OEM Part No.	Description	Qty Req	Order Quantity
1	R106-8536	106-8536	LH Lift Arm Assy	1	
2	R106-8535	106-8535	RH Lift Arm Assy	1	
3	R106-8482	106-8482	Adjuster-Groomer	2	
4	R107-8107	106-8490, 107-8107	Washer - Wave	2	
5	R106-8527	106-8527	Bushing	1	
6	R104-4754	104-4754	Spring-Detent	2	
7	R106-8489	106-8489	Bushing-Sleeve	2	
8	R106-8528	106-8528	Screw - Lock	2	
9	R32120-19	32120-19, 32120-81	E-Ring	2	
11	R253-146	105-0150, 253-143, 253-146, 253-153	Seal	1	
12	R106-4237	106-4237	Bearing	2	
14	R106-8530	106-8530	Seal - Oil	2	
15	R107-8105	106-8520, 107-8105	Bearing-Ball - Extended	2	
16	R256-2	256-2	Bushing - Idler Pulley	2	
17	R256-42	256-42	Bushing	2	

All original equipment manufacturers names and part numbers are used for identification purposes only, and we are in no way implying that our products are original equipment parts. Prices subject to change without notice.