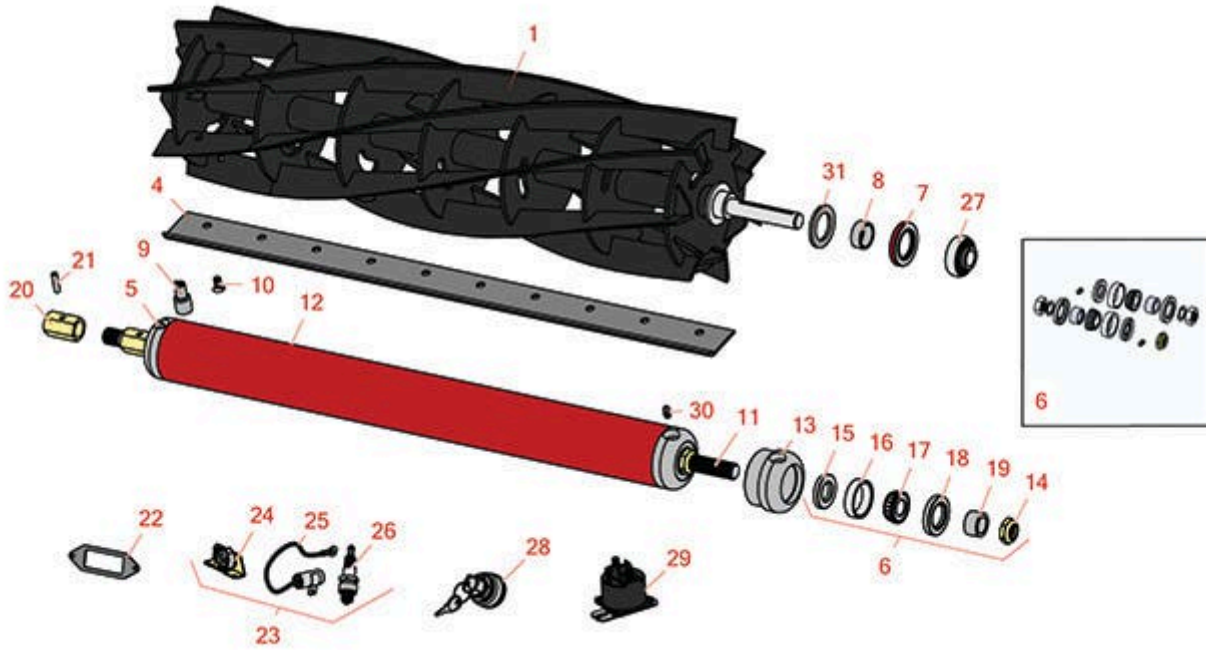




# Replaces Toro Super Pro Parts

Cutting Unit  
Reel & Bedknife



All original equipment manufacturers names and part numbers are used for identification purposes only, and we are in no way implying that our products are original equipment parts. Prices subject to change without notice.



# Replaces Toro Super Pro Parts

Cutting Unit  
Reel & Bedknife



Item No	R&R Part No.	OEM Part No.	Description	Qty Req	Order Quantity
---------	--------------	--------------	-------------	---------	----------------

### R&R Reels, Lifetime Guaranteed

1	<b>R8-5139</b>	8-5139, Jun-29	Reel - 5 Blade RH Splined	0	
1	<b>R8-5169</b>	8-5169, Jun-59	Reel - 7 Blade RH Splined	0	
1	<b>R8-5149</b>	8-5149, Jun-39	Reel - 5 Blade LH Splined	0	
1	<b>R8-5179</b>	8-5179, Jun-69	Reel - 7 Blade LH Splined	0	

### R&R Bedknives, Lifetime Guaranteed

4	<b>R38-7420</b>	38-7420	Bedknife	0	
---	-----------------	---------	----------	---	--

### R&R Rollers

5	<b>R5-4034</b>	5-4034	Roller - Rear	0	
---	----------------	--------	---------------	---	--

### Overhaul Kits

6	<b>R100185</b>		Overhaul Kit - Roller	0	
---	----------------	--	-----------------------	---	--

*Tech Note: Includes 2 ea.: R253-117 Seals, R253-122 Seals, R254-78 Bearings, R254-79 Bearing Cups, R5-4038 Wear Sleeves; 1 ea.: R32121-24 Roll Pin, R3296-15 Locknut, & R5-4040 Adjusting Nut:*

### Other Parts Available

7	<b>R253-121</b>	253-121	Seal - Oil Reel	0	
8	<b>R5-3915</b>	5-3915	Sleeve - Wear Reel	0	
9	<b>R51-0880</b>	51-0880	Bedknife Screw Driver Tool	1	
10	<b>R150475</b>	3-6462, 3-6642	Screw - Bedknife Stainless 5/16-18 x 5/8	10	

*Tech Note: Pre-Packaged in bags of 50:*

All original equipment manufacturers names and part numbers are used for identification purposes only, and we are in no way implying that our products are original equipment parts. Prices subject to change without notice.



# Replaces Toro Super Pro Parts

Cutting Unit  
Reel & Bedknife



Item No	R&R Part No.	OEM Part No.	Description	Qty Req	Order Quantity
10	R150476	3-3816, 3-6462, 52-4910, 57-4910	Screw - Bedknife 5/16-18 x 5/8	10	
11	R5-4041	5-4041	Shaft - Roller	1	
12	R29-3803		Tube - 2 7/8 OD x 27 1/8	1	
13	R5-4035	5-4035, Apr-59	Roller End - 2-7/8 OD	2	
14	R3296-15	116-7306, 32118-5, 32127-23, 32127-47, 3296-15	Locknut - 3/4-16 Nylon Jam	1	
15	R253-122	253-122, 30-0640	Seal	2	
16	R254-79	01-103-0060, 01-103-0130, 1-633584, 252-106, 254-79, 32-7800, 32-9590	Cup - Bearing	2	
<i>Tech Note: Use R254-79M installation mandrel to properly install race.:</i>					
17	R254-78	01-102-0060, 01-102-0130, 1-633585, 254-78, 32-7790, 32-9580, 93-4813	Tapered Bearing Cone	2	
18	R253-117	253-117, 253-165	Seal - Outer Triple Lip	2	
19	R5-4038	5-4038, 51-2420	Sleeve - Wear Reel Shaft	2	
20	R5-4040	5-4040	Nut - Adjusting Roller	1	

All original equipment manufacturers names and part numbers are used for identification purposes only, and we are in no way implying that our products are original equipment parts. Prices subject to change without notice.



# Replaces Toro Super Pro Parts

Cutting Unit  
Reel & Bedknife



Item No	R&R Part No.	OEM Part No.	Description	Qty Req	Order Quantity
21	<b>R32121-24</b>	29-110-C, 29-110-D, 32121-24, 37-0800	Pin - Sp Roll 1/4 x 1	1	
22	<b>R5204111</b>		Gasket - Cover Ignition Pts	1	
23	<b>RT3T</b>		Tuneup Kit - (Fits 14HP GM3)	1	
<i>Tech Note: Includes 1 ea: R230722 Condensor, RFG-2770 Point Set, RN3212 NGK Plug:</i>					
24	<b>RFG-2770</b>		Point Set	1	
25	<b>R230722</b>		Condensor	1	
26	<b>RN3212</b>		NGK Spark Plug - B-6L	1	
<i>Tech Note: Replaces Champion H8C:</i>					
27	<b>R5-2186</b>	5-2186, May-83	Bearing - Reel	2	
28	<b>R27-2360</b>	27-2360	Switch - Key 6 Lead 9/16 Mount	1	
29	<b>R6-1600</b>	6-1600	Solenoid - Starter	1	
30	<b>R302-5</b>	21-6010, 302-11, 302-37, 302-47, 302-5, 302-57, 302-58, 302-6, 31-0300, 32-9660, 60-0800, 62-3880, 92-4181	Fitting - Grease	2	
31	<b>R38-7330</b>	38-7330	Shield - Grass	0	

All original equipment manufacturers names and part numbers are used for identification purposes only, and we are in no way implying that our products are original equipment parts. Prices subject to change without notice.