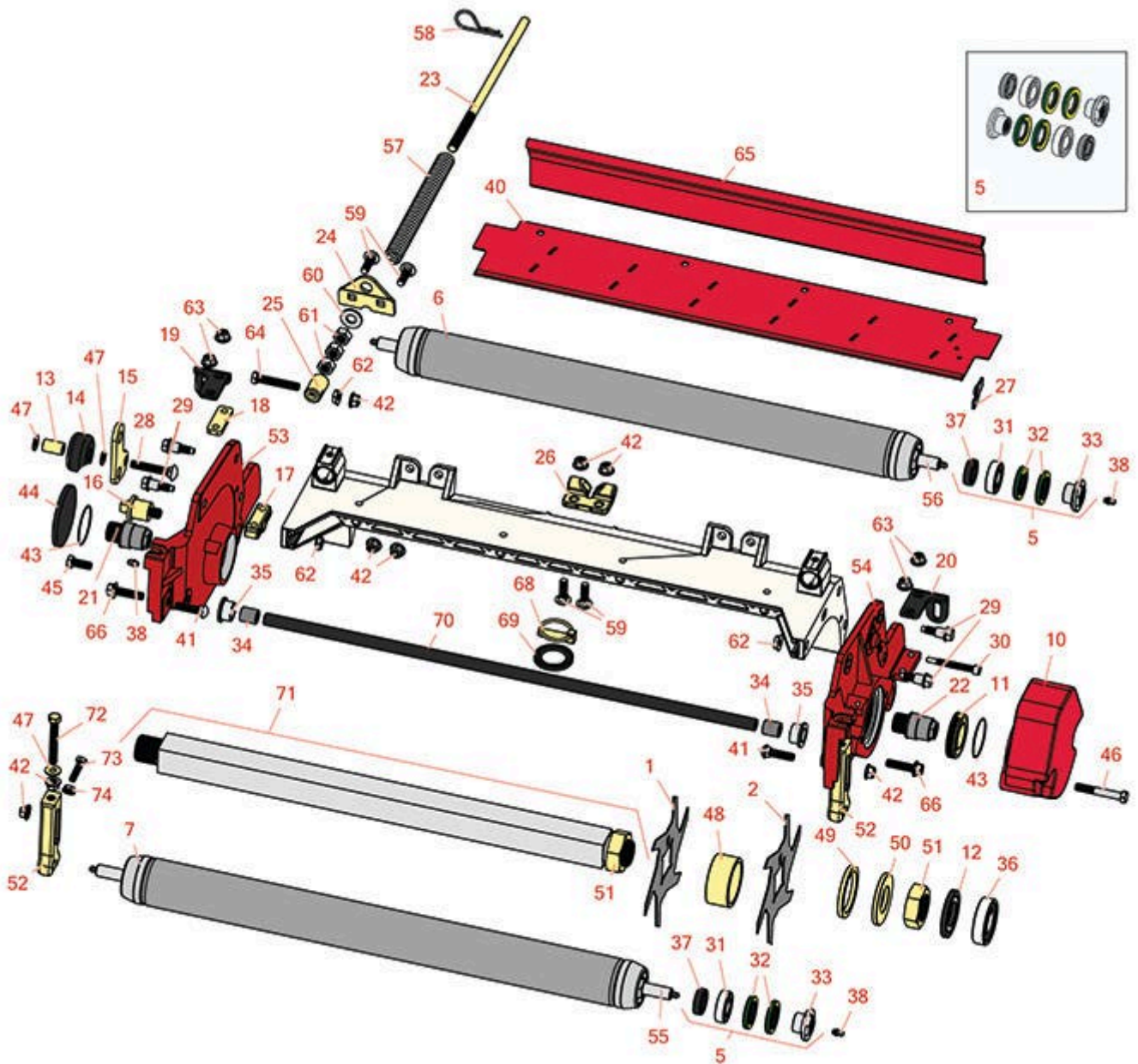




Replaces Toro Reelmaster 7000-D Parts

27in Verti-Cut Unit - Model 03731

Verti-Cut Reel & Frame



All original equipment manufacturers names and part numbers are used for identification purposes only, and we are in no way implying that our products are original equipment parts. Prices subject to change without notice.



Replaces Toro Reelmaster 7000-D Parts

27in Verti-Cut Unit - Model 03731

Verti-Cut Reel & Frame



Item No	R&R Part No.	OEM Part No.	Description	Qty Req	Order Quantity
---------	--------------	--------------	-------------	---------	----------------

Verti-Cut Blades Available

1	R106-8625	106-8625	Blade - Carbide Tip	19	
2	R93-3038-03	93-3038, 93-3038-03	Blade - Vertical Mower 1/16x7.25	19	

Overhaul Kits

5	R114-5430	114-5430	Overhaul Kit - Roller	1	
---	------------------	----------	-----------------------	---	--

Tech Note: Includes 4 ea.: R112-7494 Seals; 2 ea.: R302-5 Grease Zerks, R114-3717 Seals, R112-5290 Bearings & R114-3745 Locknuts:

Rollers

6	R117-3756	117-3756, 137-6123	Roller Assy - 27" Rear Solid 2 1/2	1	
7	R117-3759	117-3759, 137-6124	Roller Assy - 27" Front Solid 2 1/2	1	

Other Parts Available

10	R108-4269-01	108-4269-01	Weight	1	
11	R107-2954	107-2954	Nut - Bearing Adjuster	1	
12	R107-4028	105-6757, 107-4028	Seal - Grease	2	
13	R59-2580	59-2580	Spacer - Wheel	2	
14	R108-4293	108-4293	Roller - Verti-Cut	2	
15	R108-4286	108-4286	Bracket - Adj	2	
16	R108-4289	108-4289	Pin - Roller Mounting	2	
17	R106-3924	106-3924	Bracket - Rear Roller	2	
18	R106-3925	106-3925	Shim - 1/4 - Rear Roller HOC	4	

All original equipment manufacturers names and part numbers are used for identification purposes only, and we are in no way implying that our products are original equipment parts. Prices subject to change without notice.



Replaces Toro Reelmaster 7000-D Parts

27in Verti-Cut Unit - Model 03731

Verti-Cut Reel & Frame



Item No	R&R Part No.	OEM Part No.	Description	Qty Req	Order Quantity
19	R107-3281	107-3281	Bracket - Scraper - RH	1	
20	R107-3279	107-3279	Bracket - Scraper - LH	1	
21	R108-4978	108-4978, 131-0516	Insert - RH - Verti-Cut Shaft	1	
22	R108-4977	108-4977, 131-0515	Insert - LH - Verti-Cut Shaft	1	
23	R115-2007	107-7437, 115-2007	Rod - Spring	1	
24	R110-4069	110-4069	Bracket	1	
25	R99-8662	99-8662	Tube - Spring	1	
26	R110-4058	110-4058	Bracket - Chain	1	
27	R108-4961	108-4961	Tab - Stop - Shield	1	
28	R3231-7	3231-33, 3231-7	Bolt - Carriage 3/8-16 x 2-1/4	2	
29	R107-2979	107-2979	Bolt - Shoulder	6	
30	R107-7773	107-7773	Bolt - Soc HD Cap 5/16-18 x 2-1/2	1	
31	R112-5290	112-5290, 251--346, 251-346, 72-5430	Bearing - Stainless	4	
32	R112-7494	112-7494	Seal	8	
33	R114-3745	114-3745, 114-5411	Locknut - Bearing - Stainless	4	
34	R108-4279	108-4279	Spacer - Frame	2	
35	R93-2877	93-2877	Bushing - Flanged	2	
36	R93-2489	93-2489	Bearing - Reel	2	

All original equipment manufacturers names and part numbers are used for identification purposes only, and we are in no way implying that our products are original equipment parts. Prices subject to change without notice.



Replaces Toro Reelmaster 7000-D Parts

27in Verti-Cut Unit - Model 03731

Verti-Cut Reel & Frame



Item No	R&R Part No.	OEM Part No.	Description	Qty Req	Order Quantity
37	R114-3717	114-3717	Seal	2	
38	R302-5	21-6010, 302-11, 302-37, 302-47, 302-5, 302-57, 302-58, 302-6, 31-0300, 32-9660, 60-0800, 62-3880, 92-4181	Fitting - Grease	10	
40	R112-8942	112-8942	Front Grass Shield Assy - 27 in Units	1	
41	R3231-4	01-157-0440, 01-173-0612, 3231-4	Bolt - Carriage 3/8-16 x 1-1/2	2	
42	R104-8301	104-8301, 104-9301, 109-6658, 133-7570	Locknut - 3/8-16 Nylon Flanged	13	
43	R112-6967	112-6967	O-Ring	2	
44	R94-2703	94-2703	Plug - Plastic Spindle Housing	1	
45	R323-6	01-150-0010, 01-178-0608, 20-47-AD, 20-47-AGD, 3224-2, 323-6, 49-3510, 908034P, 908332	Bolt - Hex HD 3/8-16 x 1 GR5 YZ	2	

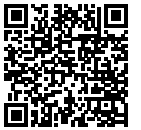
All original equipment manufacturers names and part numbers are used for identification purposes only, and we are in no way implying that our products are original equipment parts. Prices subject to change without notice.



Replaces Toro Reelmaster 7000-D Parts

27in Verti-Cut Unit - Model 03731

Verti-Cut Reel & Frame



Item No	R&R Part No.	OEM Part No.	Description	Qty Req	Order Quantity
46	R101526	01-150-0970, 01-178-0620, 101526, 20-53-AGD, 321-11, 3224-8, 323-11, 323-12, 323-31, 323-4, 323-47	Bolt - Hex HD 3/8-16 x 2-1/2 GR5	2	
47	R453011	01-166-0100, 01-166-0120, 01-166-0270, 01-166-0500, 01-166-0600, 01-166-0620, 132-4593, 2356-3, 237-12, 24-10-AD, 24-11-AD, 24-11-BD, 24-12-AD, 24-12-BD, 30-9310, 32-8190, 3256-24, 3256-3, 3256-36, 3256-4, 453011, 47-9950, 48-9220, 513458, 7-0052	Washer - Flat 3/8 SAE Y/Zinc	8	
48	R105-0172	105-0172	Spacer - Verticut Shaft 1.2 in	18	
49	R105-0177	105-0177	Spacer - Verticut Shaft 1/4 in	1	
50	R105-0173	105-0173	Washer - Verticut Shaft 1/4 in	1	
51	R3220-25	3220-25	Nut - Jam 1-3/8-12	1	

All original equipment manufacturers names and part numbers are used for identification purposes only, and we are in no way implying that our products are original equipment parts. Prices subject to change without notice.



Replaces Toro Reelmaster 7000-D Parts

27in Verti-Cut Unit - Model 03731

Verti-Cut Reel & Frame



Item No	R&R Part No.	OEM Part No.	Description	Qty Req	Order Quantity
52	R107-2952	107-2952	Bracket - Front Roller	2	
53	R110-9631	110-9631	Side Plate - RH	1	
54	R110-9630	110-9630	Side Plate - LH	1	
55	R117-0957	117-0957	Shaft - Front Roller - 27" Units	1	
56	R112-8918	112-8918	Shaft - Long - Rear Roller - 27" Units	1	
57	R119-4275	119-4275	Spring - Compression	1	
58	R92-2762	92-2762	Pin - Snap	1	
59	R3231-25	01-173-0610, 30-9970, 3231-25, 3231-3, 900064P	Bolt - Carriage 3/8-16 x 1-1/4	2	
60	R87-7270-01	87-7270, 87-7270-01	Washer - Flat 1/2	1	
61	R443818	01-191-0813, 3218-18, 3218-5, 3248-18	Nut - 1/2-13 Hex Jam Zinc	3	
62	R32128-43	30-8990, 32128-43, 3290-357	Nut - Flanged Whiz - 3/8-16	8	
63	R104-8300	104-8300, 104-8300 , 119-4041	Locknut - 5/16-18 Flanged Y/Zinc	4	
64	R104-3396	104-3396	Bolt - Hex HD 3/8-16 x 2-1/4	1	
65	R112-8944-01	112-8944-01	Rear Grass Shield Assy - 27 in Units	2	
66	R3234-19	3234-19	Bolt - Hex Washer 3/8-16x1-3/4	2	

All original equipment manufacturers names and part numbers are used for identification purposes only, and we are in no way implying that our products are original equipment parts. Prices subject to change without notice.



Replaces Toro Reelmaster 7000-D Parts

27in Verti-Cut Unit - Model 03731

Verti-Cut Reel & Frame



Item No	R&R Part No.	OEM Part No.	Description	Qty Req	Order Quantity
68	R283-71	283-71	Pin - Lynch Heavy Duty	1	
69	R94-8946	94-1427, 94-8946	Washer - Thrust	1	
70	R117-3752	117-3752	Tube- Support - 27 in Units	1	
71	R119-0625	119-0625	Shaft Assy - V-Cut	1	
72	R112-7451	100-9429, 112-7451	Bolt - Hex Tap 3/8-16 x 2-3/4	2	
73	R322-16	322-16, Apr-00	Bolt - Hex HD 5/16-18 x 1-1/8	2	
74	R445722	30-8980, 32128-2, 32128-20, 32128-20, 445722	Nut - Serrated Washer	2	

All original equipment manufacturers names and part numbers are used for identification purposes only, and we are in no way implying that our products are original equipment parts. Prices subject to change without notice.