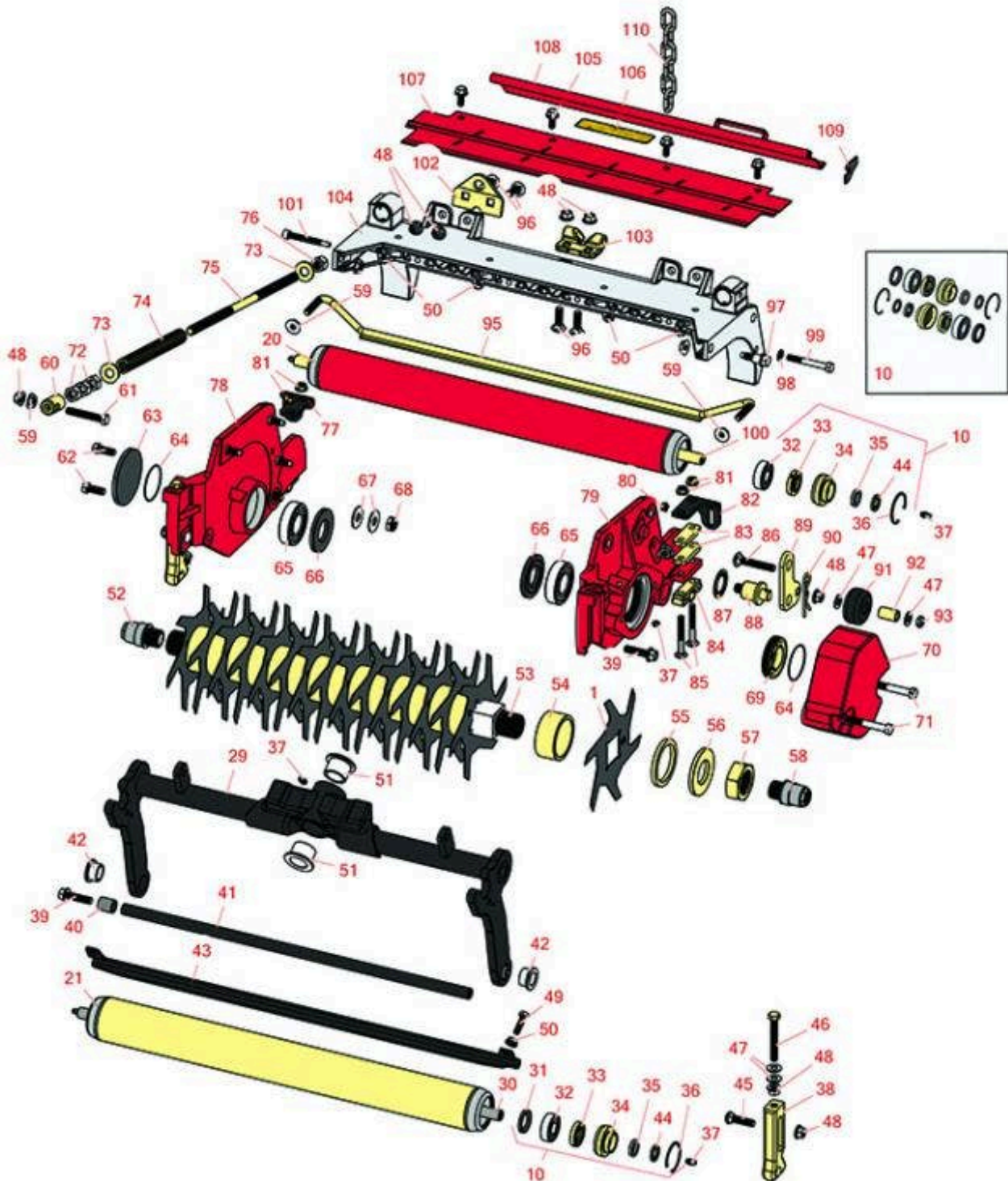




# Replaces Toro Reelmaster 6700D Parts

Verti-Cut Unit - Model 03877

Verti-Cut Reel & Frame



All original equipment manufacturers names and part numbers are used for identification purposes only, and we are in no way implying that our products are original equipment parts. Prices subject to change without notice.



# Replaces Toro Reelmaster 6700D Parts

Verti-Cut Unit - Model 03877

Verti-Cut Reel & Frame



Item No	R&R Part No.	OEM Part No.	Description	Qty Req	Order Quantity
---------	--------------	--------------	-------------	---------	----------------

## Verti-Cut Blades

1	<b>R93-3038-03</b>	93-3038, 93-3038-03	Blade - Vertical Mower 1/16x7.25	16	
1	<b>R106-8625</b>	106-8625	Blade - Carbide Tip	16	

## Overhaul Kits

10	<b>R106-9606</b>	106-9606	Overhaul Kit - Roller	1	
----	------------------	----------	-----------------------	---	--

*Tech Note: Include 2 ea: R343667 Bearings, R253-70 Seals, R32120-62 Retaining Rings, R93-1251 Seals, R93-1252 Seals, R93-2931 Washers, R93-3007 Seals:*

## R&R Rollers

20	<b>R107-4040</b>	107-4040	Roller - Smooth Tubular Steel	1	
----	------------------	----------	-------------------------------	---	--

*Tech Note: Constructed with a through shaft, this heavy-duty roller uses greasable ball bearings. (2006 - 2007):*

21	<b>R110-9614</b>	110-9614	Roller Assy - 2.5 Solid Front	1	
----	------------------	----------	-------------------------------	---	--

*Tech Note: Constructed with a through shaft, this heavy duty roller uses greasable ball bearings.:*

## Other Parts Available

29	<b>R110-9713</b>	110-9713	Carrier Frame Assy	1	
----	------------------	----------	--------------------	---	--

*Tech Note: Includes 2 each: R94-1291 Bushings and R93-2877 Bushings:*

30	<b>R110-4053</b>	110-4053	Shaft - Front Roller	1	
----	------------------	----------	----------------------	---	--

31	<b>R93-3007</b>	93-3007	Seal	4	
----	-----------------	---------	------	---	--

32	<b>R343667</b>	109966, 251-6, 38-7820	Bearing - Ball	4	
----	----------------	------------------------------	----------------	---	--

33	<b>R93-1251</b>	93-1251	Seal	4	
----	-----------------	---------	------	---	--

34	<b>R93-1252</b>	93-1252	Seal - Outer	4	
----	-----------------	---------	--------------	---	--

35	<b>R253-70</b>	253-70	Seal	4	
----	----------------	--------	------	---	--

All original equipment manufacturers names and part numbers are used for identification purposes only, and we are in no way implying that our products are original equipment parts. Prices subject to change without notice.



# Replaces Toro Reelmaster 6700D Parts

Verti-Cut Unit - Model 03877

Verti-Cut Reel & Frame



Item No	R&R Part No.	OEM Part No.	Description	Qty Req	Order Quantity
36	<b>R32120-62</b>	32120-62	Ring - Retaining	4	
37	<b>R302-5</b>	21-6010, 302-11, 302-37, 302-47, 302-5, 302-57, 302-58, 302-6, 31-0300, 32-9660, 60-0800, 62-3880, 92-4181	Fitting - Grease	7	
38	<b>R107-2952</b>	107-2952	Bracket - Front Roller	2	
39	<b>R3234-19</b>	3234-19	Bolt - Hex Washer 3/8-16x1-3/4	2	
40	<b>R108-4279</b>	108-4279	Spacer - Frame	2	
41	<b>R108-4284</b>	108-4284	Shaft - Support	1	
42	<b>R93-2877</b>	93-2877	Bushing - Flanged	2	
43	<b>R108-4475-03</b>	108-4475-03	Scraper - Full Front 2.5 in	1	
44	<b>R93-2931</b>	93-2931	Washer - Roller Seal	4	
45	<b>R3231-4</b>	01-157-0440, 01-173-0612, 3231-4	Bolt - Carriage 3/8-16 x 1-1/2	2	
46	<b>R112-7451</b>	100-9429, 112-7451	Bolt - Hex Tap 3/8-16 x 2-3/4	2	

All original equipment manufacturers names and part numbers are used for identification purposes only, and we are in no way implying that our products are original equipment parts. Prices subject to change without notice.



# Replaces Toro Reelmaster 6700D Parts

Verti-Cut Unit - Model 03877

Verti-Cut Reel & Frame



Item No	R&R Part No.	OEM Part No.	Description	Qty Req	Order Quantity
47	<b>R453011</b>	01-166-0100, 01-166-0120, 01-166-0270, 01-166-0500, 01-166-0600, 01-166-0620, 132-4593, 2356-3, 237-12, 24-10-AD, 24-11-AD, 24-11-BD, 24-12-AD, 24-12-BD, 30-9310, 32-8190, 3256-24, 3256-3, 3256-36, 3256-4, 453011, 47-9950, 48-9220, 513458, 7-0052	Washer - Flat 3/8 SAE Y/Zinc	8	
48	<b>R104-8301</b>	104-8301, 104-9301, 109-6658, 133-7570	Locknut - 3/8-16 Nylon Flanged	14	
49	<b>R322-16</b>	322-16, Apr-00	Bolt - Hex HD 5/16-18 x 1-1/8	2	
50	<b>R445722</b>	30-8980, 32128-2, 32128-20, 32128-20, 445722	Nut - Serrated Washer	2	
51	<b>R94-1291</b>	94-1291	Bushing - Flanged	2	
52	<b>R108-4978</b>	108-4978, 131-0516	Insert - RH - Verti-Cut Shaft	1	
53	<b>R108-4975</b>	108-4975	Shaft Assy - V-Cut	1	

All original equipment manufacturers names and part numbers are used for identification purposes only, and we are in no way implying that our products are original equipment parts. Prices subject to change without notice.



# Replaces Toro Reelmaster 6700D Parts

Verti-Cut Unit - Model 03877

Verti-Cut Reel & Frame



Item No	R&R Part No.	OEM Part No.	Description	Qty Req	Order Quantity
54	<b>R105-0172</b>	105-0172	Spacer - Verticut Shaft 1.2 in	15	
55	<b>R105-0177</b>	105-0177	Spacer - Verticut Shaft 1/4 in	1	
56	<b>R105-0173</b>	105-0173	Washer - Verticut Shaft 1/4 in	1	
57	<b>R3220-25</b>	3220-25	Nut - Jam 1-3/8-12	1	
58	<b>R108-4977</b>	108-4977, 131-0515	Insert - LH - Verti-Cut Shaft	1	
59	<b>R32128-43</b>	30-8990, 32128-43, 3290-357	Nut - Flanged Whiz - 3/8-16	11	
60	<b>R99-8662</b>	99-8662	Tube - Spring	1	
61	<b>R104-3396</b>	104-3396	Bolt - Hex HD 3/8-16 x 2-1/4	1	
62	<b>R323-6</b>	01-150-0010, 01-178-0608, 20-47-AD, 20-47-AGD, 3224-2, 323-6, 49-3510, 908034P, 908332	Bolt - Hex HD 3/8-16 x 1 GR5 YZ	2	
63	<b>R94-2703</b>	94-2703	Plug - Plastic Spindle Housing	1	
64	<b>R112-6967</b>	112-6967	O-Ring	2	
65	<b>R93-2489</b>	93-2489	Bearing - Reel	2	
66	<b>R107-4028</b>	105-6757, 107-4028	Seal - Grease	2	
67	<b>R453013</b>	01-166-0140, 01-166-0700, 3256-5, 80-4850	Washer - Flat 7/16	4	

All original equipment manufacturers names and part numbers are used for identification purposes only, and we are in no way implying that our products are original equipment parts. Prices subject to change without notice.



# Replaces Toro Reelmaster 6700D Parts

Verti-Cut Unit - Model 03877

Verti-Cut Reel & Frame



Item No	R&R Part No.	OEM Part No.	Description	Qty Req	Order Quantity
68	<b>R3296-28</b>	119-4154, 140-9234, 32127-34, 32128-7, 32128-8, 32136-7, 3296-28	Nut - 1/2-20 ESNA Jam	2	
69	<b>R107-2954</b>	107-2954	Nut - Bearing Adjuster	1	
70	<b>R108-4269-01</b>	108-4269-01	Weight	1	
71	<b>R101526</b>	01-150-0970, 01-178-0620, 101526, 20-53-AGD, 321-11, 3224-8, 323-11, 323-12, 323-31, 323-4, 323-47	Bolt - Hex HD 3/8-16 x 2-1/2 GR5	2	
72	<b>R443818</b>	01-191-0813, 3218-18, 3218-5, 3248-18	Nut - 1/2-13 Hex Jam Zinc	3	
73	<b>R453017</b>	01-166-0050, 01-166-0240, 01-166-0800, 24-13-AD, 24-14-AD, 32-8110, 3256-26, 3256-6, 453017, 69-8980, 87-7270	Washer - Flat 1/2	2	
73	<b>R87-7270-01</b>	87-7270, 87-7270-01	Washer - Flat 1/2	2	
74	<b>R110-4079</b>	110-4079	Spring	1	

All original equipment manufacturers names and part numbers are used for identification purposes only, and we are in no way implying that our products are original equipment parts. Prices subject to change without notice.



# Replaces Toro Reelmaster 6700D Parts

Verti-Cut Unit - Model 03877

Verti-Cut Reel & Frame



Item No	R&R Part No.	OEM Part No.	Description	Qty Req	Order Quantity
75	<b>R99-8661</b>	99-8661	Rod-Spring	1	
76	<b>RF5003</b>	32127-29, 32131-5, 32132-5, 3296-23	Locknut - ESNA 1/2-13	1	
77	<b>R107-3281</b>	107-3281	Bracket - Scraper - RH	1	
78	<b>R110-9631</b>	110-9631	Side Plate - RH	1	
79	<b>R110-9630</b>	110-9630	Side Plate - LH	1	
80	<b>R170714</b>	302-34, 302-39, 62-3520	Fitting - Pressure Relief	2	
81	<b>R104-8300</b>	104-8300, 104-8300 , 119-4041	Locknut - 5/16-18 Flanged Y/Zinc	4	
82	<b>R107-3279</b>	107-3279	Bracket - Scraper - LH	1	
83	<b>R106-3925</b>	106-3925	Shim - 1/4 - Rear Roller HOC	4	
84	<b>R106-3924</b>	106-3924	Bracket - Rear Roller	2	
85	<b>RP17609-2</b>	106-9758, 3230-7	Bolt - Carriage 5/16-18 x 1-1/2	4	
86	<b>R3231-7</b>	3231-33, 3231-7	Bolt - Carriage 3/8-16 x 2-1/4	2	
87	<b>R3254-21</b>	3254-21	Washer - 1 in Interl Star	2	
88	<b>R108-4289</b>	108-4289	Pin - Roller Mounting	2	
89	<b>R108-4286</b>	108-4286	Bracket - Adj	2	
90	<b>R3290-355</b>	01-159-0050, 3290-355, 58-5370	Pin - Bridge - Snap	2	
91	<b>R108-4293</b>	108-4293	Roller - Verti-Cut	2	

All original equipment manufacturers names and part numbers are used for identification purposes only, and we are in no way implying that our products are original equipment parts. Prices subject to change without notice.



# Replaces Toro Reelmaster 6700D Parts

Verti-Cut Unit - Model 03877

Verti-Cut Reel & Frame



Item No	R&R Part No.	OEM Part No.	Description	Qty Req	Order Quantity
92	<b>R59-2580</b>	59-2580	Spacer - Wheel	2	
93	<b>R3296-59</b>	3296-59	Locknut - 3/8-16 Nylon Jam	2	
95	<b>R107-2999</b>	107-2999	Scraper - Rear Roller	1	
96	<b>R3231-25</b>	01-173-0610, 30-9970, 3231-25, 3231-3, 900064P	Bolt - Carriage 3/8-16 x 1-1/4	4	
97	<b>R107-2979</b>	107-2979	Bolt - Shoulder	6	
98	<b>R3256-74</b>	3256-74	Washer - Flat	1	
99	<b>R322-14</b>	01-150-0830, 01-178-0524, 30-8900, 322-14	Bolt - Hex HD 5/16-18 x 3 GR5	1	
100	<b>R107-3296</b>	107-3296, 99-5717	Shaft - Rear Long Roller	1	
101	<b>R107-7773</b>	107-7773	Bolt - Soc HD Cap 5/16-18 x 2-1/2	1	
102	<b>R110-4069</b>	110-4069	Bracket	1	
103	<b>R110-4058</b>	110-4058	Bracket - Chain	1	
104	<b>R107-3258</b>	107-3258	Frame	1	
105	<b>R3234-5</b>	3234-5, 62-3310	Bolt - 5/16-18x3/4 Hx Ser Was HD	4	
106	<b>R93-6688</b>	93-6688	Decal - Warning	1	
107	<b>R107-2996</b>	107-2996	Grass Shield - Front	1	
108	<b>R107-7779-01</b>	107-7779-01	Grass Shield Assy - Rear	1	
109	<b>R108-4961</b>	108-4961	Tab - Stop - Shield	1	

All original equipment manufacturers names and part numbers are used for identification purposes only, and we are in no way implying that our products are original equipment parts. Prices subject to change without notice.





# Replaces Toro Reelmaster 6700D Parts

*Verti-Cut Unit - Model 03877*

*Verti-Cut Reel & Frame*



Item No	R&R Part No.	OEM Part No.	Description	Qty Req	Order Quantity
110	<b>R114-3972</b>	114-3972	Chain	1	

All original equipment manufacturers names and part numbers are used for identification purposes only, and we are in no way implying that our products are original equipment parts. Prices subject to change without notice.