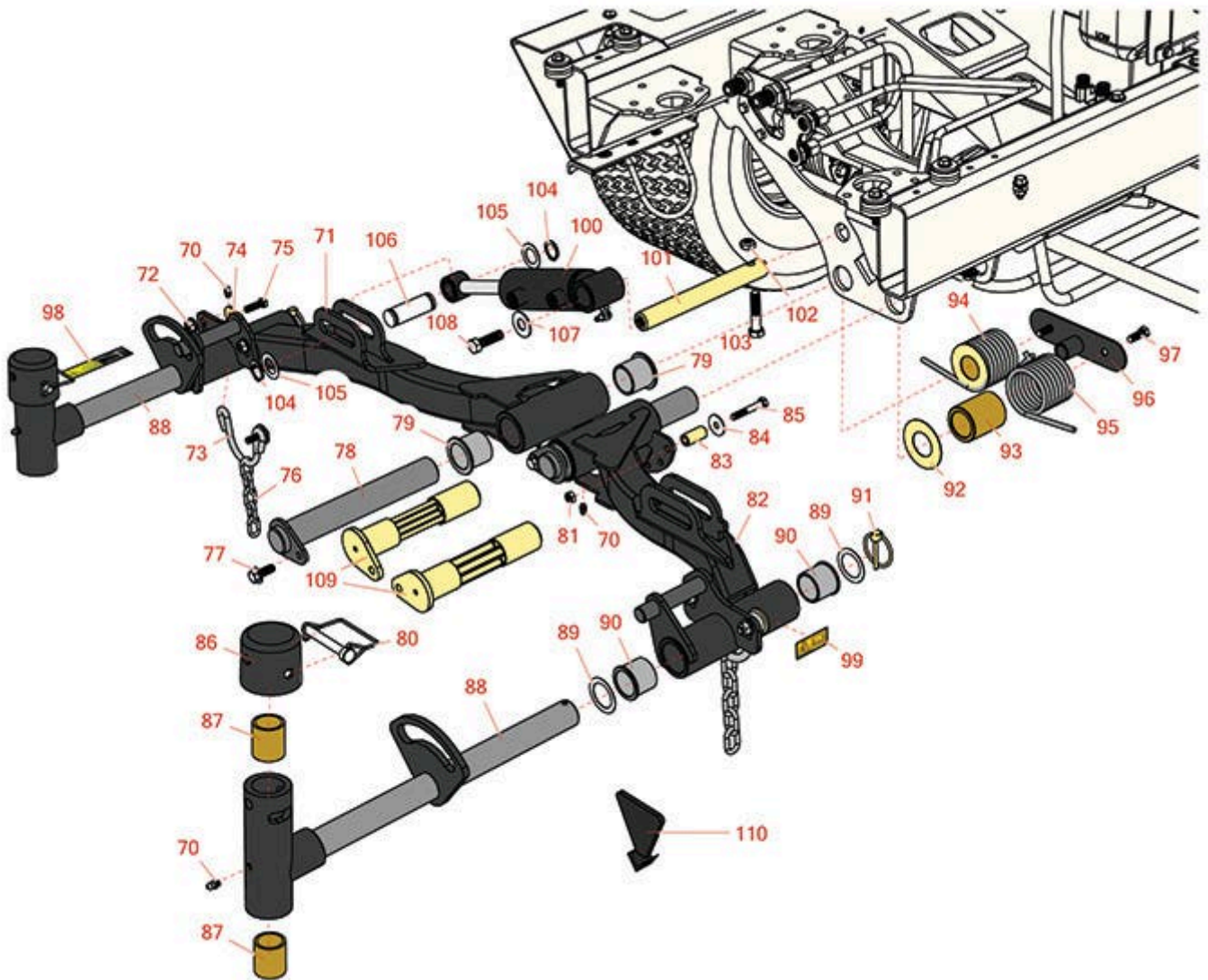




Replaces Toro Reelmaster 5410-D Parts

Traction Unit
Rear Lift Arm



All original equipment manufacturers names and part numbers are used for identification purposes only, and we are in no way implying that our products are original equipment parts. Prices subject to change without notice.



Replaces Toro Reelmaster 5410-D Parts

Traction Unit
Rear Lift Arm



Item No	R&R Part No.	OEM Part No.	Description	Qty Req	Order Quantity
---------	--------------	--------------	-------------	---------	----------------

Other Parts Available

70	R302-5	21-6010, 302-11, 302-37, 302-47, 302-5, 302-57, 302-58, 302-6, 31-0300, 32-9660, 60-0800, 62-3880, 92-4181	Fitting - Grease	4	
71	R110-0993	110-0993	Lift Arm - No. 3	1	
72	R104-8301	104-8301, 104-9301, 109-6658, 133-7570	Locknut - 3/8-16 Nylon Flanged	4	
73	R110-0922	110-0922	Hoop - Chain	2	
74	R63-8410	53-6380, 63-4810, 63-8410	Washer - Isolator Bushing	4	
75	R400264	01-150-0180, 01-178-0610, 20-48-AD, 20-48-AGD, 32-9160, 3224-3, 323-29, 323-7, 400264, 908035P	Bolt - Hex HD 3/8-16 x 1-1/4	4	
76	R84-2451	84-2451	Chain - Straight 5	2	
<i>Tech Note: Fits 5510-5610:</i>					
76	R84-2450	84-2450	Chain - Straight 4	2	

All original equipment manufacturers names and part numbers are used for identification purposes only, and we are in no way implying that our products are original equipment parts. Prices subject to change without notice.



Replaces Toro Reelmaster 5410-D Parts

Traction Unit
Rear Lift Arm



Item No	R&R Part No.	OEM Part No.	Description	Qty Req	Order Quantity
<i>Tech Note: Ftis 5210-5410:</i>					
77	R32144-14	32104-32, 32104-49, 32144-14	Bolt - Hex Washer 5/16-18 x 5/8	2	
78	R107-2062	107-2062	Pin Assy	2	
79	R69-6470	69-6470	Bushing - Flanged	4	
80	R107-7400	107-7400	Pin - Lynch	2	
81	R3296-29	1-804256, 3290-357, 3296-29, 915662P	Locknut - 5/16-18 ESNA	2	
82	R110-0992	110-0992	Lift Arm - No. 2	1	
83	R103-0384	103-0384	Spacer	2	
84	R3256-35	3256-35	Washer - Flat	2	
85	R322-10	20-30-AD, 24-7180, 322-10, 322-10 , 3223-6, 513347	Bolt - Hex HD 5/16-18 x 2	2	
86	R107-4027	107-4027	Cap - Pivot Yoke	2	
87	R256-254	256-254	Bushing 1-1/8 x 1.375 x 1.5	4	
88	R107-2052	107-2052, 138-1248	Pivot Yoke Assy	2	
89	R76-2980	76-2980	Washer - Thrust	4	
90	R104-0015	104-0015, 104-8339	Bushing - Flanged	4	
91	R92-1298	92-1298	Pin - Klik	2	

All original equipment manufacturers names and part numbers are used for identification purposes only, and we are in no way implying that our products are original equipment parts. Prices subject to change without notice.



Replaces Toro Reelmaster 5410-D Parts

*Traction Unit
Rear Lift Arm*



Item No	R&R Part No.	OEM Part No.	Description	Qty Req	Order Quantity
92	R110-5345	110-5345	Washer	2	
93	R110-5339	110-5339	Spacer	2	
94	R99-5608-03	99-5608, 99-5608-03	Spring-Torsion, RH	1	
95	R99-5609-03	99-5609, 99-5609-03	Spring-Torsion, LH	1	
96	R110-8874-03	110-8874-03	Catch Assy	1	
97	R3234-11	3234-11	Bolt - Hex Washer HD	2	
98	R110-9642	110-9642	Decal	2	
99	R93-6696	93-6696	Decal - Warning	2	
100	R119-6988	119-6988	Hydraulic Cylinder	2	
101	R117-0148	117-0148	Pin - Hyd Cyl	2	
102	R3296-59	3296-59	Locknut - 3/8-16 Nylon Jam	2	
103	R323-9	01-150-0190, 01-150-1540, 01-178-0614, 107229, 20-50-AD, 20-50-AGD, 30-9430, 32105-4, 3224-5, 323-9, 513363, 513364, 5377, 908037P	Bolt - Hex HD 3/8-16 x 1-3/4	2	
104	R32120-93	32120-93	Snap Ring - HD	4	
105	R3-6498	3--6498, 3-6498, 47-8270	Washer - Thrust	4	

All original equipment manufacturers names and part numbers are used for identification purposes only, and we are in no way implying that our products are original equipment parts. Prices subject to change without notice.



Replaces Toro Reelmaster 5410-D Parts

Traction Unit

Rear Lift Arm



Item No	R&R Part No.	OEM Part No.	Description	Qty Req	Order Quantity
106	R104-0046	104-0046	Pin - Slide - Cylinder	2	
107	R453017	01-166-0050, 01-166-0240, 01-166-0800, 24-13-AD, 24-14-AD, 32-8110, 3256-26, 3256-6, 453017, 69-8980, 87-7270	Washer - Flat 1/2	2	
108	R325-7	01-150-0380, 01-178-0814, 3226-3, 325-7, 48-9490	Bolt - 1/2-13 x 1 3/4 Hex HD Gr 5	2	
109	R125-2037	125-2037	Shaft	2	
110	R110-4088-03	110-4088-03, 119-8010-03	Kickstand	1	

All original equipment manufacturers names and part numbers are used for identification purposes only, and we are in no way implying that our products are original equipment parts. Prices subject to change without notice.