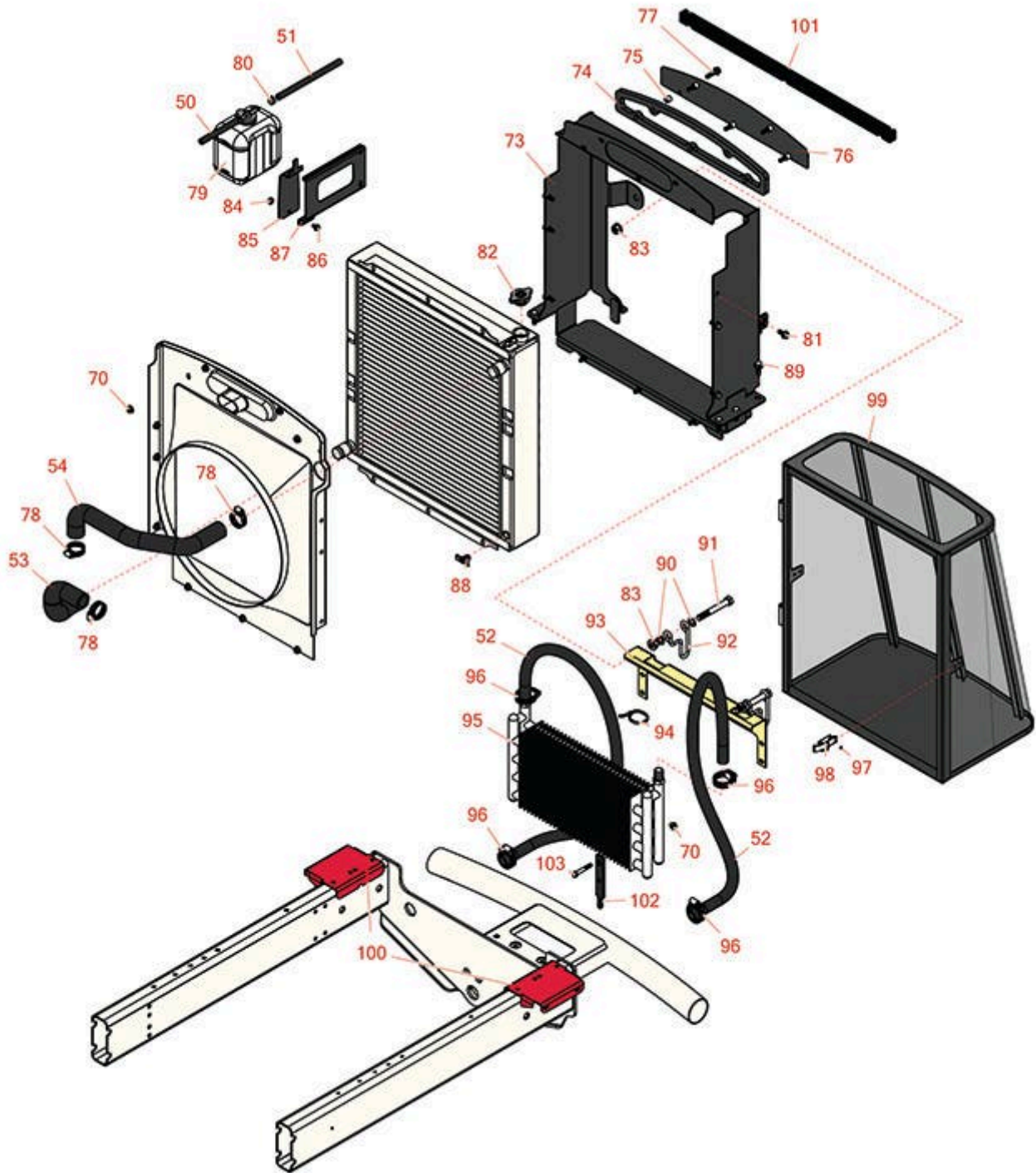




Replaces Toro Reelmaster 5410-D Parts

Traction Unit

Radiator & Cooling System



All original equipment manufacturers names and part numbers are used for identification purposes only, and we are in no way implying that our products are original equipment parts. Prices subject to change without notice.



Replaces Toro Reelmaster 5410-D Parts

Traction Unit

Radiator & Cooling System



Item No	R&R Part No.	OEM Part No.	Description	Qty Req	Order Quantity
Hoses					
50	R110-3257	110-3257, 63-7630	Hose-Fuel	1	
51	R110-4104	110-4104, 27-5340	Hose-Fuel	1	
51	R110-8752	110-8752	Hose-Fuel	1	
52	R108-1693	108-1693	Hose	1	
53	R108-1697	108-1697	Hose - Formed	1	
54	R108-1696	108-1696	Hose - Formed	1	
Other Parts Available					
70	R104-8300	104-8300, 104-8300, 119-4041	Locknut - 5/16-18 Flanged Y/Zinc	14	
73	R108-1617-03	108-1617-03	Frame-Radiator	1	
74	R110-5324	110-5324	Seal-Foam	1	
75	R1-603903	1-603903	Spacer	5	
76	R108-1843-03	108-1843-03	Screen-Intake, Air	1	
77	R3234-36	3234-36	Bolt - 5/16-18 x 1 1/4 Hx HD Flange	5	
78	R2412-129	2412-129, 94-3188, 94-3189, 94-3193, 94-3203, 94-3204	Clamp - Worm 9/16-1 1/4	4	
79	RX1G64272400	104-9318, 105-3753, 98-9323, 98-9397	Kubota Tank - Reserve Assy	1	

All original equipment manufacturers names and part numbers are used for identification purposes only, and we are in no way implying that our products are original equipment parts. Prices subject to change without notice.



Replaces Toro Reelmaster 5410-D Parts

Traction Unit

Radiator & Cooling System



Item No	R&R Part No.	OEM Part No.	Description	Qty Req	Order Quantity
80	R92-2379	92-2379	Clamp - Hose	3	
81	R3234-5	3234-5, 62-3310	Bolt - 5/16-18x3/4 Hx Ser Was HD	9	
82	R93-5957	93-5957	Cap - Radiator	1	
83	R32128-49	32128-49	Nut - 1/2-13 Hex Flange	4	
84	R301504	2296-42, 301504, 32127-24, 32128-33, 32146-17, 3296-16, 3296-42, 3296-42 , 915661P	Locknut - ESNA 1/4-20	1	
85	R108-1665-03	108-1665-03	Bracket-Reservior	1	
86	R3234-13	3234-13, 960151P	Bolt - Flanged Hex 1/4-20	1	
87	R108-1666-03	108-1666-03	Bracket-Reservoir	1	
88	R304-46	304-46	Draincock	1	
89	R32144-14	32104-32, 32104-49, 32144-14	Bolt - Hex Washer 5/16-18 x 5/8	6	
90	R455012	3256-26, 41-8440	Washer - Flat 1/2 x 3/4	4	
91	R325-17	01-150-0640, 01-150-0850, 01-178-0832, 01-178-0836, 20-97-AGD, 325-17, 325-18, 48-9260	Bolt - Hex Head	2	
92	R104-5429	104-5429	Clamp - Form, Wire	2	

All original equipment manufacturers names and part numbers are used for identification purposes only, and we are in no way implying that our products are original equipment parts. Prices subject to change without notice.



Replaces Toro Reelmaster 5410-D Parts

Traction Unit

Radiator & Cooling System



Item No	R&R Part No.	OEM Part No.	Description	Qty Req	Order Quantity
93	R107-2043-03	107-2043-03	Bracket-Oil Cooler	1	
94	R3290-378	30-1740, 3290-378, 52-6570, 60-4340	Cable Tie	1	
95	R150845	100-4869	Oil Cooler	1	
96	R2412-34	2412-34, 31-0120	Clamp - Hose .75-1.5	4	
97	R3290-382	3269-15, 3290-382	Rivet - 5/32 x 1/2 Pop Rivet	2	
98	R115-1554	105-3912, 115-1554, 115-1554-01	Latch-Draw	1	
99	R110-0952-03	110-0952-03	Screen Assy	1	
100	R110-5310-01	110-5310-01	Bracket-Mounting	2	
101	R110-5276	110-5276	Seal-Foam-Radiator	1	
102	R104-5460-03	104-5460-03	Plate-Mount, Oil Cooler	1	
103	R322-10	20-30-AD, 24-7180, 322-10, 322-10, 3223-6, 513347	Bolt - Hex HD 5/16-18 x 2	2	

All original equipment manufacturers names and part numbers are used for identification purposes only, and we are in no way implying that our products are original equipment parts. Prices subject to change without notice.