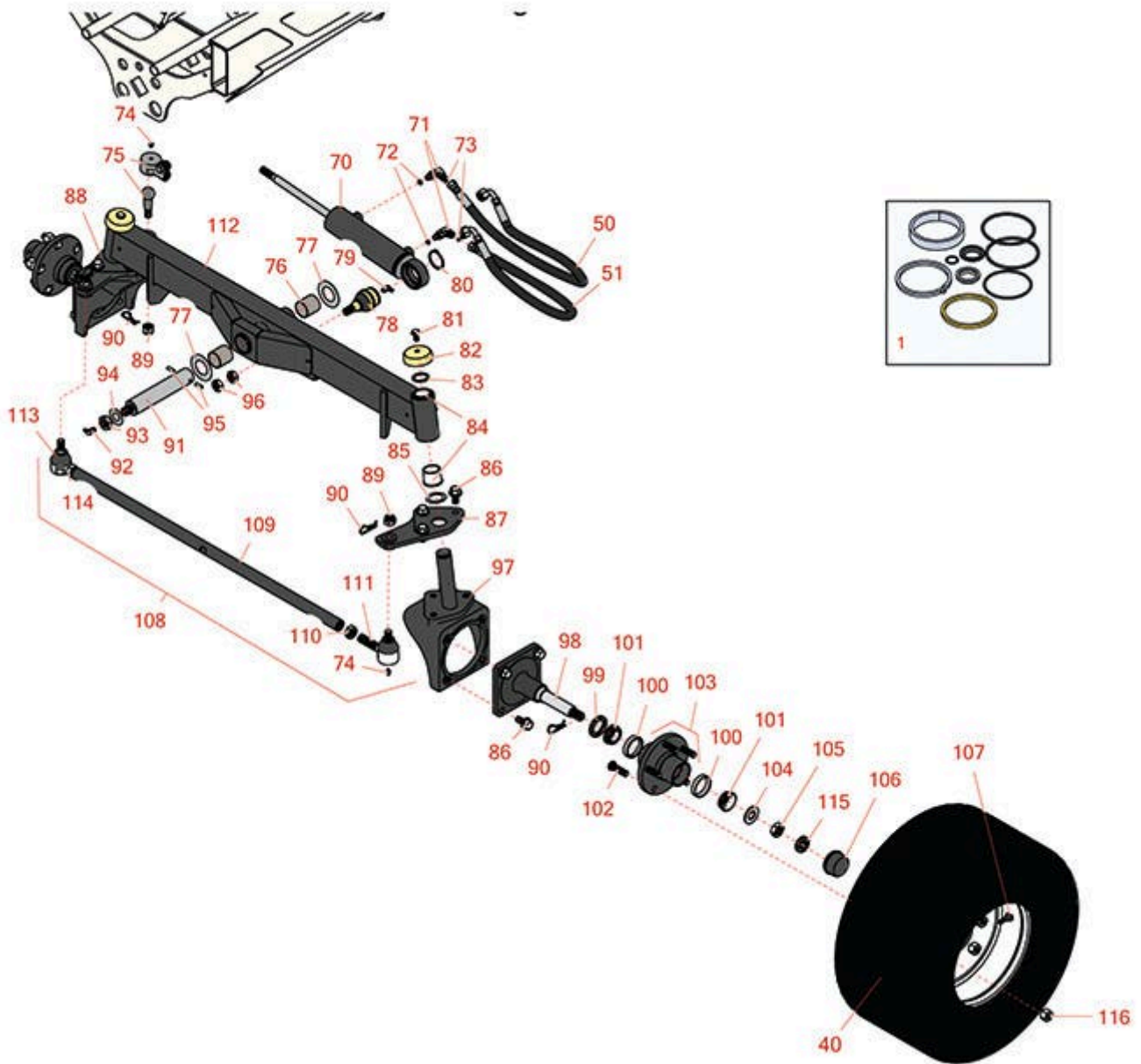




Replaces Toro Reelmaster 5410-D Parts

Traction Unit
Rear Axle



All original equipment manufacturers names and part numbers are used for identification purposes only, and we are in no way implying that our products are original equipment parts. Prices subject to change without notice.



Replaces Toro Reelmaster 5410-D Parts

Traction Unit
Rear Axle



Item No	R&R Part No.	OEM Part No.	Description	Qty Req	Order Quantity
Overhaul Kits and Service Tools					
1	R110-6461	110-6461	Seal Kit -Fits R107-4458 Cylinder	1	
Tires					
40	RCT575315	117-5125	Tire - 20x12.00-10 Nhs (4 Ply) Carlisle Turf Trac R/S	2	
Hoses					
50	R110-0973	110-0973	Hose Asy	1	
51	R110-0928	110-0928	Hydraulic Hose Assy	1	
Other Parts Available					
70	R107-4458	107-4458, 110-9035	Hydraulic Cylinder	1	
71	R340-132	340-132	Hydraulic Fitting - 90 Deg	2	
72	R237-22	107-8844, 237-22, 237-78	O-Ring	2	
73	R237-21	237-21, 327-21	O-Ring	2	
74	R302-5	21-6010, 302-11, 302-37, 302-47, 302-5, 302-57, 302-58, 302-6, 31-0300, 32-9660, 60-0800, 62-3880, 92-4181	Fitting - Grease	5	
75	R106-6895-03	106-6895-03, 69-9810, 69-9810-03	Ball Joint Assy	1	

All original equipment manufacturers names and part numbers are used for identification purposes only, and we are in no way implying that our products are original equipment parts. Prices subject to change without notice.



Replaces Toro Reelmaster 5410-D Parts

*Traction Unit
Rear Axle*



Item No	R&R Part No.	OEM Part No.	Description	Qty Req	Order Quantity
76	R99-6964	99-6964	Bushing - Axle	2	
77	R99-8432	99-8432	Washer - Thrust	2	
78	R106-6774	106-6774, 92-5838, 92-5838-01	Ball Joint	1	
79	R302-40	302-13, 302-40	Fitting - Grease	1	
80	R32151-104	32151-104	Ring - Retaining, Ex	1	
81	R3234-1	321-11, 3234-1	Bolt - Flanged Serrated Hex HD 3/8-16 x 3/4	2	
82	R69-8890	69-8890	Cap-Spindle	2	
83	R32151-77	32151-77	Ring - Retaining	2	
84	R104-0015	104-0015, 104-8339	Bushing - Flanged	4	
85	R76-2980	76-2980	Washer - Thrust	2	
86	R3234-6	32144-13, 3234-6, 3434-6	Bolt - Hex HD Flanged	14	
87	R110-5297-03	110-5297-03	Link - Drag LH	1	
88	R110-5295-03	110-5295-03	Link - Drag - RH	1	
89	R105-7941	105-7941	Nut - Hex - Slotted	3	
90	R3272-12	01-151-0090, 28-19-D, 3272-12	Pin - Cotter 1/8 x 1-1/4	5	
91	R140-6101	140-6101, 98-8173, 98-8173-03	Pivot Pin - Rear Lift Arm	1	

All original equipment manufacturers names and part numbers are used for identification purposes only, and we are in no way implying that our products are original equipment parts. Prices subject to change without notice.



Replaces Toro Reelmaster 5410-D Parts

*Traction Unit
Rear Axle*



Item No	R&R Part No.	OEM Part No.	Description	Qty Req	Order Quantity
92	R323016	302-33, 323016	Zerk - Grease	1	
93	R444742	32146-20, 9150906, 915090P	Nut - 3/4-16 Gripco Centerlock	1	
94	R71-4540	71-4540	Washer - Thrust	1	
95	R32121-32	01-153-0180, 32121-32	Pin - Roll 1/4 x 1-3/4	1	
96	R443828	01-191-1018, 3214, 3220-6, 443828, 915089P	Nut - 5/8-18 Hex	2	
97	R107-4517-03	107-4517-03	Housing - Motor	2	
98	R110-5299-03	110-5299-03	Spindle	2	
98	R117-8958	117-8958	Spindle	2	
99	R253-129	253-129, 41321	Seal	2	
99	R112-1690	112-1690	Seal - Hub	2	
100	R254-72	01-103-0050, 01-103-0120, 01-103-0140, 1-543508, 254-71, 254-72, 40439, 62-3340, 99-4511	Cup - Bearing	4	

All original equipment manufacturers names and part numbers are used for identification purposes only, and we are in no way implying that our products are original equipment parts. Prices subject to change without notice.



Replaces Toro Reelmaster 5410-D Parts

*Traction Unit
Rear Axle*



Item No	R&R Part No.	OEM Part No.	Description	Qty Req	Order Quantity
101	R254-94	1-543509, 254-94, 32-8090, 32-8240, 32-9640, 40440, 62-3330	Tapered Bearing Cone	4	
102	R10-6830	10-6830, 75-9440	Stud - Wheel 1/2-20 x 1 3/4	10	
102	R114-3918	1-633926, 114-3918	Stud - Wheel	10	
103	R21-0180	21-0180	Hub Assy	2	
103	R121-5631	121-5621, 121-5631	Hub Assy	2	
104	R93-0309	93-0309	Washer - Tab	2	
105	R3220-7	01-191-1216, 3220-7, Mar-03	Nut - 3/4-16 Jam Zinc	2	
106	R241-119	01-269-0070, 01-269-0280, 01-286-0040, 241-119, 30-9930, 40438	Cap-Dust	2	
107	R232-27	232-27, 232-31	Stem - Valve w/ Cap	2	
108	R110-5334-03	110-5334-03	Tie Rod Assy	1	
109	R110-5335	110-5335	Tie Rod	1	
110	R110-5337	110-5337	Nut - Jam 11/16-18 LH	2	
111	R2411-46	2411-40, 2411-46, 2411-46-03	End - Tie Rod - LH	2	

All original equipment manufacturers names and part numbers are used for identification purposes only, and we are in no way implying that our products are original equipment parts. Prices subject to change without notice.



Replaces Toro Reelmaster 5410-D Parts

*Traction Unit
Rear Axle*



Item No	R&R Part No.	OEM Part No.	Description	Qty Req	Order Quantity
112	R107-4546-03	107-4546-03	Axle Assy	1	
113	R71-4740-03	2411-45, 71-4740, 71-4740-03	End - Tie Rod - RH	1	
114	R84-5300	84-5300	Nut - Jam 11/16-18 RH	1	
115	R93-0307	93-0307	Nut - Lock Retainer	2	
116	R242-50	242-50	Nut - 1/2-20 Wheel	10	

All original equipment manufacturers names and part numbers are used for identification purposes only, and we are in no way implying that our products are original equipment parts. Prices subject to change without notice.