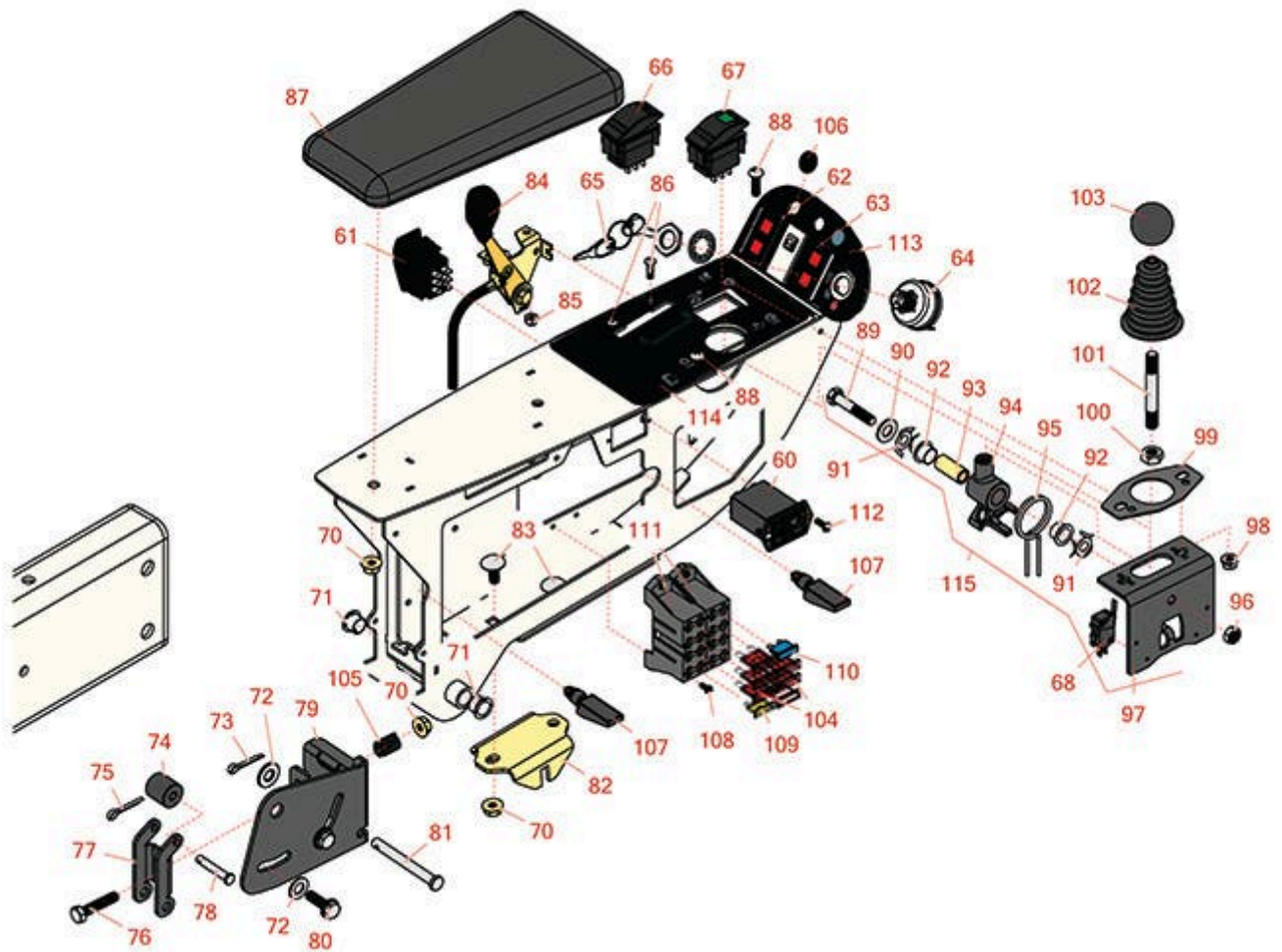




Replaces Toro Reelmaster 5410-D Parts

Traction Unit
Joystick Bracket



All original equipment manufacturers names and part numbers are used for identification purposes only, and we are in no way implying that our products are original equipment parts. Prices subject to change without notice.



Replaces Toro Reelmaster 5410-D Parts

*Traction Unit
Joystick Bracket*



| Item No | R&R Part No. | OEM Part No. | Description | Qty Req | Order Quantity |
|------------------------------|------------------|---|----------------------------------|---------|----------------|
| Gauges and Controls | | | | | |
| 60 | R75-6820 | 75-6820 | Meter - Hour - Quartz | 1 | |
| 61 | R95-8999 | 95-8999 | Switch - Headlight | 1 | |
| 62 | R100-8071 | 100-8071 | Lamp - Warning | 1 | |
| 63 | R100-8070 | 100-8070 | Lamp - Warning | 1 | |
| 64 | R104-2541 | 104-2541, 88-9830 | Switch - Key 6 Lead 5/8 Mt. | 1 | |
| 65 | R343060 | 218-412, 32-8380, 33-2010, 62-7770, 63-8360, 94-2618 | Ignition - Key Set/2 | 1 | |
| 66 | R100-1535 | 100-1535, 100-8492 | Switch | 1 | |
| 67 | R105-4232 | 105-4232 | Switch - Enable-Disable | 1 | |
| 68 | R108-6496 | 108-6496 | Micro Switch w/Boot | 2 | |
| Other Parts Available | | | | | |
| 70 | R104-8300 | 104-8300, 104-8300 , 119-4041 | Locknut - 5/16-18 Flanged Y/Zinc | 5 | |
| 71 | R256-257 | 256-257, 256-295 | Nyliner Bushing | 2 | |

All original equipment manufacturers names and part numbers are used for identification purposes only, and we are in no way implying that our products are original equipment parts. Prices subject to change without notice.



Replaces Toro Reelmaster 5410-D Parts

*Traction Unit
Joystick Bracket*



| Item No | R&R Part No. | OEM Part No. | Description | Qty Req | Order Quantity |
|---------|---------------------|--|-------------------------------|---------|----------------|
| 72 | R453009 | 01-166-0400, 24-10-BD, 24-9-AD, 32-9650, 3256-2, 3256-23, 3256-3, 3256-67, 3290-217, 3556-3, 4-2390, 7-0152 | Washer - Flat 5/16 SAE | 2 | |
| 73 | R3272-10 | 01-151-0120, 105-7512, 3272-10, N/A | Pin - Cotter 1/8 x 3/4 | 1 | |
| 74 | R110-8856 | 110-8856 | Spacer | 1 | |
| 75 | R3272-1 | 3272-1, 3272-51, 352-111, 352-142, 58-1480 | Pin-Cotter | 1 | |
| 76 | R322-7 | 01-150-0750, 01-150-0760, 01-178-0512, 20-28-AD, 20-28-AGD, 322-7, 3223-4 | Bolt - Hex HD 5/16-18 x 1-1/2 | 1 | |
| 77 | R110-5314 | 110-5314 | Latch | 1 | |
| 78 | R283-73 | 283-73 | Pin-Clevis | 1 | |
| 79 | R110-5313-03 | 110-5313-03 | Bracket - Retainer | 1 | |
| 80 | R3234-29 | 3234-17, 3234-29 | Bolt - 5/16-18x1 Serr Hex | 2 | |
| 81 | R283-88 | 283-88 | Pin-Clevis | 1 | |

All original equipment manufacturers names and part numbers are used for identification purposes only, and we are in no way implying that our products are original equipment parts. Prices subject to change without notice.



Replaces Toro Reelmaster 5410-D Parts

Traction Unit
Joystick Bracket



| Item No | R&R Part No. | OEM Part No. | Description | Qty Req | Order Quantity |
|---|------------------|----------------------|-------------------------------|---------|----------------|
| 82 | R110-5340 | 110-5340 | Latch Assy | 1 | |
| 83 | R3230-23 | 3230-23, Mar-61 | Bolt - 5/16-18x3/4 - Carriage | 2 | |
| 84 | R110-0913 | 110-0913 | Control-Throttle | 1 | |
| <i>Tech Note: Fits 5510-5610 - 2006:</i> | | | | | |
| 84 | R114-8886 | 114-8886 | Control-Throttle | 1 | |
| <i>Tech Note: Fits 5210-5410 - 2006 & Up & 5510-5610 - 2007 & Up:</i> | | | | | |
| 85 | R3296-12 | 32127-20, 3296-12 | Nut - 10-32 Nylon Lock | 2 | |
| 86 | R3290-134 | 3290-134 | Screw - 10-24x5/8 Hh Ms | 2 | |
| 87 | R108-7602 | 108-7602 | Arm Rest | 1 | |
| 88 | R3258-166 | 3258-166 | Screw-Ph Rnd HD | 2 | |
| 89 | R19H3130 | 322-9, 3223-5 | Bolt - Hex HD 5/16-18 x 1-3/4 | 1 | |

All original equipment manufacturers names and part numbers are used for identification purposes only, and we are in no way implying that our products are original equipment parts. Prices subject to change without notice.



Replaces Toro Reelmaster 5410-D Parts

Traction Unit
Joystick Bracket



| Item No | R&R Part No. | OEM Part No. | Description | Qty Req | Order Quantity |
|---------|---------------------|--|------------------------------|---------|----------------|
| 90 | R453011 | 01-166-0100, 01-166-0120, 01-166-0270, 01-166-0500, 01-166-0600, 01-166-0620, 132-4593, 2356-3, 237-12, 24-10-AD, 24-11-AD, 24-11-BD, 24-12-AD, 24-12-BD, 30-9310, 32-8190, 3256-24, 3256-3, 3256-36, 3256-4, 453011, 47-9950, 48-9220, 513458, 7-0052 | Washer - Flat 3/8 SAE Y/Zinc | 1 | |
| 91 | R106-4193 | 106-4193 | Washer - Finger, Spr | 2 | |
| 92 | R93-5547 | 93-5547 | Bushing-Nylon | 2 | |
| 92 | R106-4192 | 106-4192 | Spacer | 1 | |
| 94 | R105-7507 | 105-7507 | Pivot - Joystick | 1 | |
| 95 | R105-8289 | 105-8289, 93-5509 | Spring-Torsion | 1 | |
| 96 | R3296-29 | 1-804256, 3290-357, 3296-29, 915662P | Locknut - 5/16-18 ESNA | 1 | |
| 97 | R106-4168-03 | 105-8287-03, 106-4168-03 | Bracket- Joystick | 1 | |
| 97 | R115-5357-03 | 115-5357-03 | Bracket - Joystick | 1 | |

All original equipment manufacturers names and part numbers are used for identification purposes only, and we are in no way implying that our products are original equipment parts. Prices subject to change without notice.



Replaces Toro Reelmaster 5410-D Parts

*Traction Unit
Joystick Bracket*



| Item No | R&R Part No. | OEM Part No. | Description | Qty Req | Order Quantity |
|---------|------------------|---|-------------------------------|---------|----------------|
| 98 | R104-7201 | 104-7201 | Locknut - 1/4-20 ESNA Flanged | 2 | |
| 99 | R112-9181 | 106-4188-03, 112-9181 | Plate-Boot | 1 | |
| 100 | R3218-3 | 01-191-0616, 22-13-AJKD, 3218-3, 915236P | Nut - 3/8-16 Jam | 1 | |
| 101 | R105-8288 | 105-8288 | Rod-Joystick | 1 | |
| 102 | R93-5961 | 93-5961 | Dust Guard - Shifter | 1 | |
| 103 | R233-42 | 1-603175, 120-9752, 233-42, 233-47 | Knob | 1 | |
| 104 | R218-578 | 218-578, 95-2438 | Fuse - 10 Amp | 6 | |
| 105 | R110-5331 | 110-5331 | Spring - Compression | 1 | |
| 106 | R2410-64 | 2410-64 | Plug-Button | 1 | |
| 107 | R74-5950 | 249-48, 74-5950 | Latch - Swell | 2 | |
| 108 | R150291 | 32144-87 | Screw - 8 x 1/2 Sheet Metal | 4 | |
| 109 | R150812 | 109102, 109355, 150812, 218-581 | Fuse - 15 Amp | 1 | |
| 110 | R94-6710 | 94-6710 | Fuse-Blade, 2 Amp | 1 | |
| 111 | R85-4650 | 85-4650 | Fuse Holder Block | 1 | |
| 112 | R32144-18 | 32144-18 | Screw - Hex HD | 2 | |
| 113 | R110-0984 | 110-0984 | Decal-Console | 1 | |

All original equipment manufacturers names and part numbers are used for identification purposes only, and we are in no way implying that our products are original equipment parts. Prices subject to change without notice.



Replaces Toro Reelmaster 5410-D Parts

*Traction Unit
Joystick Bracket*



| Item No | R&R Part No. | OEM Part No. | Description | Qty Req | Order Quantity |
|---------|------------------|--------------|-----------------------|---------|----------------|
| 114 | R110-0998 | 110-0998 | Decal-Panel, Contr | 1 | |
| 115 | R106-4167 | 106-4167 | Joystick Bracket Assy | 1 | |

All original equipment manufacturers names and part numbers are used for identification purposes only, and we are in no way implying that our products are original equipment parts. Prices subject to change without notice.