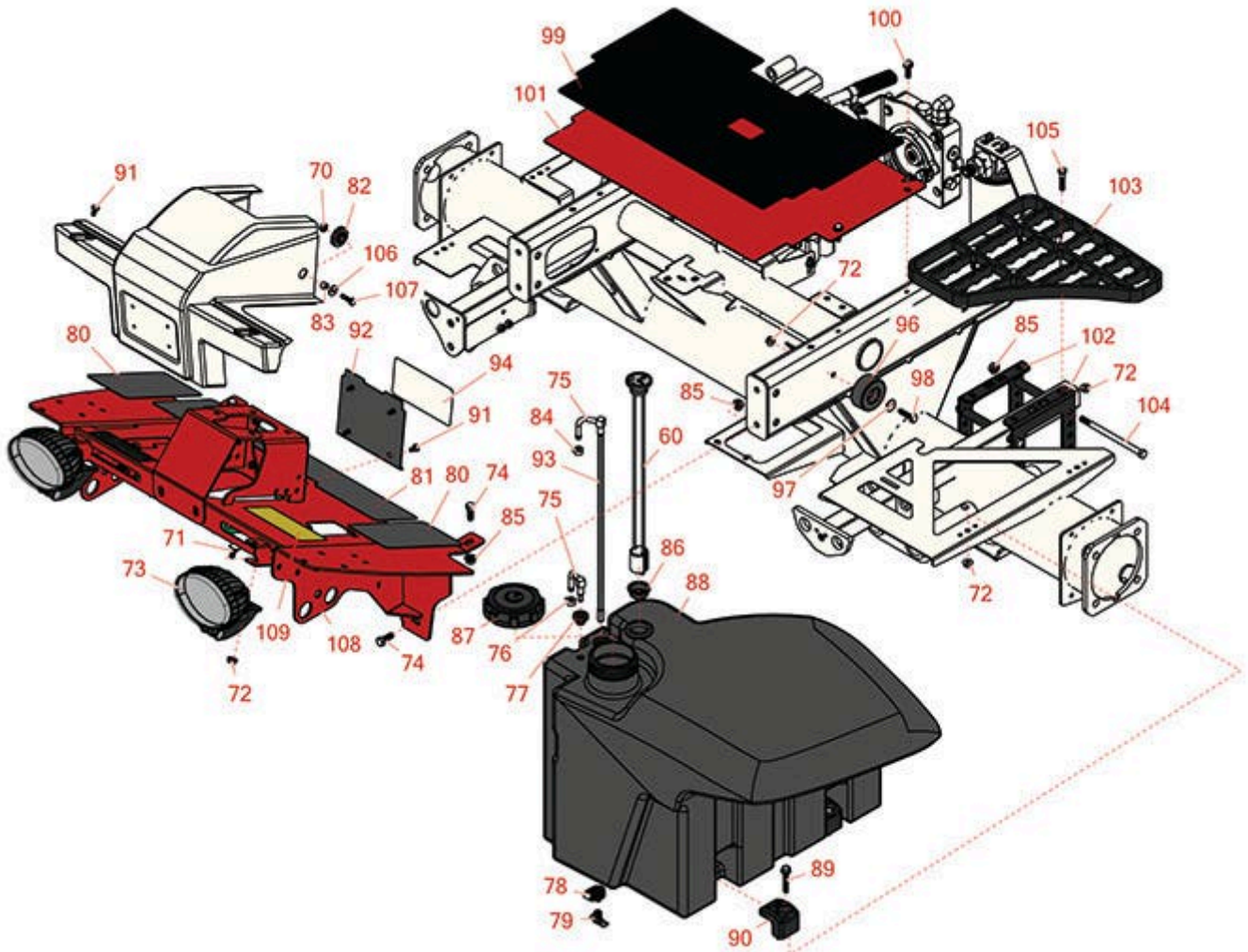




# Replaces Toro Reelmaster 5410-D Parts

Traction Unit  
Front Frame



All original equipment manufacturers names and part numbers are used for identification purposes only, and we are in no way implying that our products are original equipment parts. Prices subject to change without notice.



# Replaces Toro Reelmaster 5410-D Parts

Traction Unit  
Front Frame



Item No	R&R Part No.	OEM Part No.	Description	Qty Req	Order Quantity
<b>Gauges and Controls</b>					
60	<b>R108-1640</b>	108-1640	Gauge-Fuel	1	
<b>Other Parts Available</b>					
70	<b>R301504</b>	2296-42, 301504, 32127-24, 32128-33, 32146-17, 3296-16, 3296-42, 3296-42 , 915661P	Locknut - ESNA 1/4-20	2	
<i>Tech Note: 2006 Only:</i>					
70	<b>R32128-33</b>	32128-33	Nut - 1/4-20 Flanged Serr	2	
<i>Tech Note: 2007 and Up:</i>					
71	<b>R3230-1</b>	01-173-0506, 3230-1, 3230-20, 900037P	Bolt - Carriage 5/16-18 x 3/4	2	
72	<b>R104-8300</b>	104-8300, 104-8300 , 119-4041	Locknut - 5/16-18 Flanged Y/Zinc	13	
73	<b>R151712</b>	108-6471, 112-9177, 94-9024	LED Oval Work Light - 12 LED 30w	2	
74	<b>R3234-11</b>	3234-11	Bolt - Hex Washer HD	4	
75	<b>R108-1643</b>	108-1643	Fitting - Return	1	
76	<b>R2412-146</b>	2412-146	Hose Clamp	1	
77	<b>R46-6560</b>	46-6560	Bushing	2	

All original equipment manufacturers names and part numbers are used for identification purposes only, and we are in no way implying that our products are original equipment parts. Prices subject to change without notice.



# Replaces Toro Reelmaster 5410-D Parts

Traction Unit  
Front Frame



Item No	R&R Part No.	OEM Part No.	Description	Qty Req	Order Quantity
78	<b>R2412-36</b>	2210-87, 2412-36, 31-9140, 93-5818, 99-0772	Clamp - Hose 1/2	1	
79	<b>R304-46</b>	304-46	Draincock	1	
80	<b>R110-0988</b>	110-0988	Pad - Anti-Skid-Floor, Side	2	
81	<b>R108-1845</b>	108-1845	Pad - Anti-Skid-Board, Floor	1	
82	<b>R240-11</b>	240-11	Bushing - Rubber - Flanged	2	
83	<b>R66-8010</b>	66-8010	Spacer	2	
84	<b>R92-2379</b>	92-2379	Clamp - Hose	1	
85	<b>R104-8301</b>	104-8301, 104-9301, 109-6658, 133-7570	Locknut - 3/8-16 Nylon Flanged	8	
86	<b>R95-8972</b>	95-8972	Grommet	1	
87	<b>R110-0897</b>	110-0897	Cap- Diesel	1	
<i>Tech Note: 2006-2007:</i>					
87	<b>R114-5062</b>	114-5062	Bio Diesel Fuel Cap	1	
<i>Tech Note: 2008 AND Up:</i>					
88	<b>R108-1842</b>	108-1842	Fuel Tank Assy	1	
<i>Tech Note: 2006-2009:</i>					
89	<b>R94-5780</b>	94-5780	Bolt - 5/16-18 x 1 3/4 Hx Fl	2	
90	<b>R107-4543</b>	107-4543	Clamp	2	

All original equipment manufacturers names and part numbers are used for identification purposes only, and we are in no way implying that our products are original equipment parts. Prices subject to change without notice.



# Replaces Toro Reelmaster 5410-D Parts

Traction Unit  
Front Frame



Item No	R&R Part No.	OEM Part No.	Description	Qty Req	Order Quantity
91	<b>R12-3270</b>	12-3270, 30-0700, 32104-17, 9266714, Aug-80	Bolt - Hex Washer 1/4-20 x 1/2	6	
92	<b>R110-0947-03</b>	110-0947, 110-0947-03	Plate - Cover	1	
93	<b>R108-1642</b>	108-1642	Fuel Line-Suction	1	
<i>Tech Note: 2006-2009:</i>					
94	<b>R110-0986</b>	110-0986	Decal - Cover Plate	1	
96	<b>R108-1605</b>	108-1605	Bumper-Recess	1	
97	<b>R310266</b>	3256-23, 3256-3, 3556-3	Washer - Flat 5/16 USS	1	
98	<b>R400190</b>	01-150-0720, 01-178-0510, 30-8680, 322-6, 513343	Bolt - Hex HD 5/16-18 x 1-1/4 GR5	1	
99	<b>R108-1844</b>	108-1844	Tread - Non Slip	1	
<i>Tech Note: 2006-2009:</i>					
100	<b>R3234-29</b>	3234-17, 3234-29	Bolt - 5/16-18x1 Serr Hex	4	
101	<b>R108-1806-01</b>	108-1806-01	Plate-Floor	1	
<i>Tech Note: 2006-2009:</i>					
102	<b>R108-1671-01</b>	108-1671-01	Bracket-Step	4	
<i>Tech Note: 2006-2009:</i>					
103	<b>R108-1670</b>	108-1670	Step	2	

All original equipment manufacturers names and part numbers are used for identification purposes only, and we are in no way implying that our products are original equipment parts. Prices subject to change without notice.



# Replaces Toro Reelmaster 5410-D Parts

*Traction Unit  
Front Frame*



Item No	R&R Part No.	OEM Part No.	Description	Qty Req	Order Quantity
<i>Tech Note: 2006-2007:</i>					
104	<b>R323-58</b>	100-8528, 323-36, 323-58	Bolt - Hex HD	4	
<i>Tech Note: 2006-2009:</i>					
105	<b>R322-17</b>	322-17	Bolt	8	
106	<b>R87-6630</b>	87-6630	Washer	2	
107	<b>R106-9518</b>	106-9518	Screw-Prh	2	
108	<b>R107-4501-01</b>	107-4501-01	Platform Assy	1	
109	<b>R110-8924</b>	110-8924	Decal-Danger	1	

All original equipment manufacturers names and part numbers are used for identification purposes only, and we are in no way implying that our products are original equipment parts. Prices subject to change without notice.