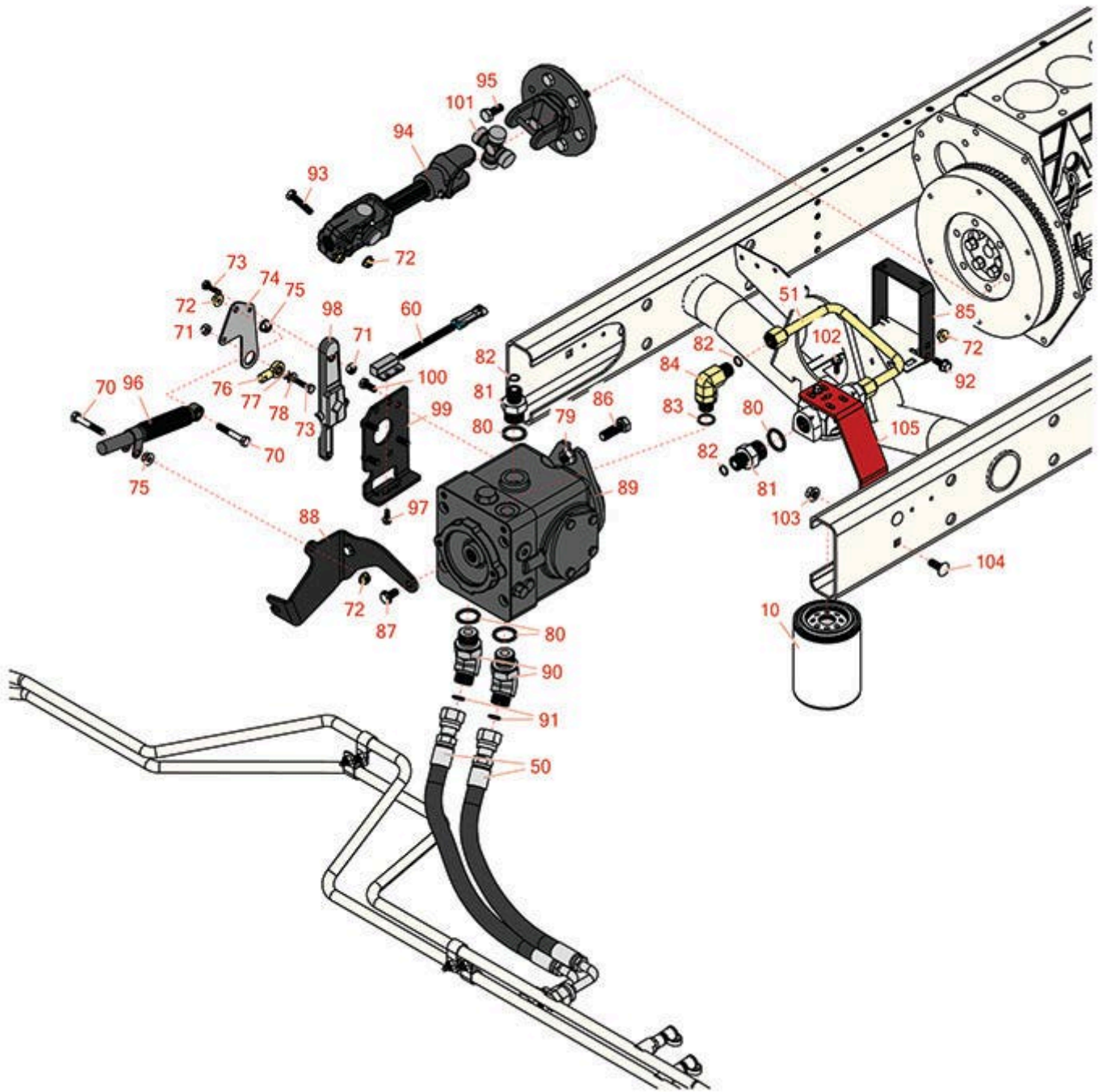




# Replaces Toro Reelmaster 5410-D Parts

Traction Unit

Driveshaft & Hydraulic Pump



All original equipment manufacturers names and part numbers are used for identification purposes only, and we are in no way implying that our products are original equipment parts. Prices subject to change without notice.



# Replaces Toro Reelmaster 5410-D Parts

*Traction Unit*

*Driveshaft & Hydraulic Pump*



Item No	R&R Part No.	OEM Part No.	Description	Qty Req	Order Quantity
---------	--------------	--------------	-------------	---------	----------------

## Hoses

10	<b>R86-3010</b>	23-9740, 239470, 28-1370, 281370, 353-387, 353387, 54-0110, 540110, 76-6490, 86-3010, 863010, Dec-70	Baldwin Hydraulic Oil Filter	1	
----	-----------------	---	------------------------------	---	--

## Filters

50	<b>R108-1679</b>	108-1679	Hydraulic Hose Assy	2	
51	<b>R108-1714</b>	108-1714	Tube Assy	1	

## Gauges and Controls

60	<b>R100-1270</b>	100-1270	Sensor - Proximity	1	
----	------------------	----------	--------------------	---	--

## Other Parts Available

70	<b>R322-10</b>	20-30-AD, 24-7180, 322-10, 322-10 , 3223-6, 513347	Bolt - Hex HD 5/16-18 x 2	2	
71	<b>R301504</b>	2296-42, 301504, 32127-24, 32128-33, 32146-17, 3296-16, 3296-42, 3296-42 , 915661P	Locknut - ESNA 1/4-20	2	

All original equipment manufacturers names and part numbers are used for identification purposes only, and we are in no way implying that our products are original equipment parts. Prices subject to change without notice.



# Replaces Toro Reelmaster 5410-D Parts

*Traction Unit*

*Driveshaft & Hydraulic Pump*



Item No	R&R Part No.	OEM Part No.	Description	Qty Req	Order Quantity
72	<b>R104-8300</b>	104-8300, 104-8300 , 119-4041	Locknut - 5/16-18 Flanged Y/Zinc	6	
73	<b>RP1471-1</b>	01-150-1400, 20-5-AD, 30-8880, 321-6, 321-6 , 3222-2, 513320, Mar-97	Bolt - Hex HD 1/4-20 x 1	2	
74	<b>R108-7639-03</b>	108-7639-03	Plate	1	
<i>Tech Note: Fits 2006-2009:</i>					
75	<b>R445722</b>	30-8980, 32128-2, 32128-20, 32128-20 , 445722	Nut - Serrated Washer	2	
76	<b>R2411-41</b>	2411-41	Rod End - Ball Joint	1	
77	<b>R24M7139</b>	24M7139, 3256-16, 33093-00, 43-5930	Washer - Flat 6mm	1	
78	<b>R3256-22</b>	24-9-BD, 3-1032, 3256-1, 3256-22, 93-0954, 93-0989	Washer - Flat 1/4 Yellow	1	
79	<b>R32128-49</b>	32128-49	Nut - 1/2-13 Hex Flange	2	
80	<b>R237-81</b>	237-81, 237.81, 327-81	O-Ring	2	
81	<b>R100-4240</b>	100-4240	No 8 Orfs Male x No 12 Orb Male	3	

All original equipment manufacturers names and part numbers are used for identification purposes only, and we are in no way implying that our products are original equipment parts. Prices subject to change without notice.



# Replaces Toro Reelmaster 5410-D Parts

*Traction Unit*

*Driveshaft & Hydraulic Pump*



Item No	R&R Part No.	OEM Part No.	Description	Qty Req	Order Quantity
82	<b>R237-30</b>	23-6320, 237-30	O-Ring - Seal	2	
83	<b>R237-80</b>	237-80, 327-80	O-Ring	1	
84	<b>R340-105</b>	340-105	Hydraulic Fitting	1	
85	<b>R108-1799-03</b>	108-1799-03	Hoop-Guard	1	
86	<b>R3234-32</b>	3234-32, 3434-32	Bolt - 1/2-13 x 1 1/4 Hex Flange Bolt	2	
<i>Tech Note: Fits 2006-2009:</i>					
86	<b>R3234-38</b>	3234-38	Bolt - Flanged Hex 1/2-13 x 1-1/4	2	
<i>Tech Note: Fits 2010 &amp; Up:</i>					
87	<b>R3234-1</b>	321-11, 3234-1	Bolt - Flanged Serrated Hex HD 3/8-16 x 3/4	2	
88	<b>R110-5323-03</b>	110-5323-03	Bracket	1	
89	<b>R107-4470</b>	107-4470	Variable Pump Assy	1	
90	<b>R340-156</b>	340-156	Hydraulic Fitting	2	
91	<b>R237-65</b>	237-65, 237.65	O-Ring	2	
92	<b>R3234-5</b>	3234-5, 62-3310	Bolt - 5/16-18x3/4 Hx Ser Was HD	2	
93	<b>R19H3130</b>	322-9, 3223-5	Bolt - Hex HD 5/16-18 x 1-3/4	2	
94	<b>R108-1641</b>	108-1641	Driveshaft Assy	1	
95	<b>R43-0090</b>	43-0090, 95-8812	Bolt - 10mm x 1.25 x 25 Hex HD	6	
96	<b>R76-8870</b>	105-7280, 76-8870	Lever Damper Assy	1	

All original equipment manufacturers names and part numbers are used for identification purposes only, and we are in no way implying that our products are original equipment parts. Prices subject to change without notice.



# Replaces Toro Reelmaster 5410-D Parts

*Traction Unit*

*Driveshaft & Hydraulic Pump*



Item No	R&R Part No.	OEM Part No.	Description	Qty Req	Order Quantity
97	<b>R112-0153</b>	112-0153	Screw - Soc HD 6M-1.0 x 16	2	
98	<b>R112-0156</b>	112-0156	Arm - Control	1	
99	<b>R112-0152</b>	112-0152	Bracket - Neutral Start Switch	1	
100	<b>R112-0150</b>	112-0150	Bolt - Hex HD M8-1.25 x 20	4	
101	<b>R54-9180</b>	54-9180, 99-6570	Kit - U-Joint	2	
102	<b>R3234-33</b>	3234-33	Bolt - 1/4-20 x 3/4 Serr Hex Flanged	2	
103	<b>R104-8301</b>	104-8301, 104-9301, 109-6658, 133-7570	Locknut - 3/8-16 Nylon Flanged	2	
104	<b>R3231-2</b>	01-157-0170, 01-173-0608, 3231-2, 3231-22, 3231-28, 900063P	Bolt - Carriage 3/8-16 x 1	2	
105	<b>R110-0906-01</b>	110-0906-01	Support -Oil Filter	1	

All original equipment manufacturers names and part numbers are used for identification purposes only, and we are in no way implying that our products are original equipment parts. Prices subject to change without notice.