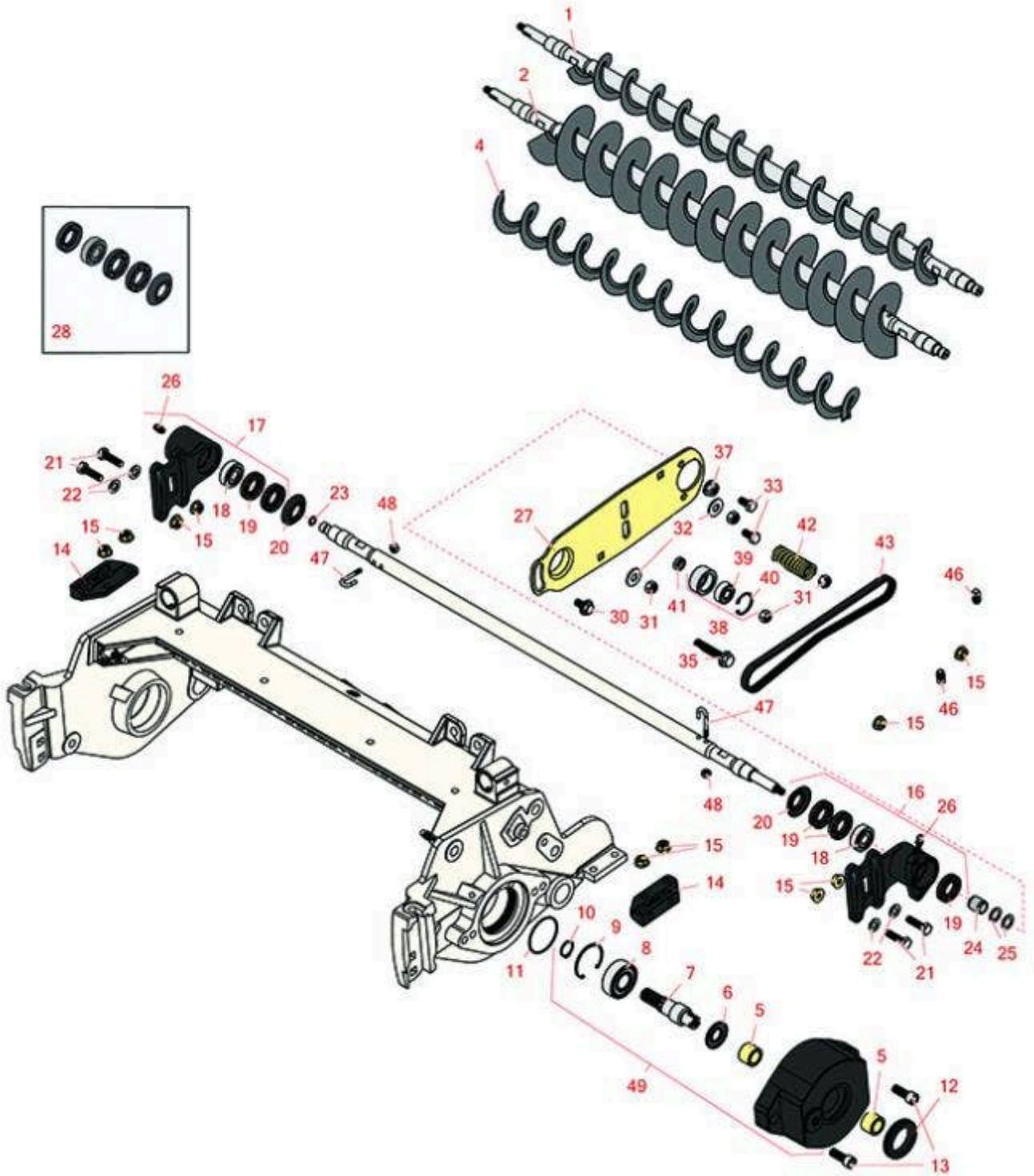




# Replaces Toro Reelmaster 5410-D Parts

DPA Cutting Unit with 7" Reel - Models 03681, 03682, 03696 & 03697

Rear Roller Brush



All original equipment manufacturers names and part numbers are used for identification purposes only, and we are in no way implying that our products are original equipment parts. Prices subject to change without notice.



# Replaces Toro Reelmaster 5410-D Parts

DPA Cutting Unit with 7" Reel - Models 03681, 03682, 03696 & 03697

Rear Roller Brush



Item No	R&R Part No.	OEM Part No.	Description	Qty Req	Order Quantity
<b>Overhaul Kits</b>					
28	<b>R110-4086</b>	110-4086	Kit - Bearing	1	
<i>Tech Note: Includes 1 ea: R95-0707 Bearing, R108-4172 Seal; &amp; 3 ea: R106-8530 Seal:</i>					
<b>Other Parts Available</b>					
1	<b>R150915</b>	108-4190	Shaft Assy - Rear Roller Brush - 2 in Keyed	1	
<i>Tech Note: (2007 &amp; Prior):</i>					
2	<b>R150916</b>		Shaft Assy - Rear Roller Brush 3.5 in - Keyed	1	
<i>Tech Note: (2007 &amp; Prior):</i>					
3	<b>R110-1740</b>	110-1740	Brush-Roller (High HOC) 3.5 in OD	1	
4	<b>R108-4193</b>	108-4193	Brush - Roller - 2 OD	1	
5	<b>R108-4477</b>	108-4477	Spacer	1	
6	<b>R107-7795</b>	107-7795	Seal - Oil	1	
7	<b>R108-4234</b>	108-4234	Shaft - Drive	1	
8	<b>R93-2559</b>	93-2559	Bearing	1	
9	<b>R32120-62</b>	32120-62	Ring - Retaining	1	
10	<b>R458013</b>	30-0580, 32120-72, 458013, 93-2525, 936125	Ring - Retaining	1	
11	<b>R112-6968</b>	112-6968	O-Ring	1	
12	<b>R240-7</b>	240-7	Grommet - Rubber - 2 in OD	1	
13	<b>R3274-7</b>	3247-7, 3274-7	Bolt - Soc HD Cap 3/8-16 x 1	2	

All original equipment manufacturers names and part numbers are used for identification purposes only, and we are in no way implying that our products are original equipment parts. Prices subject to change without notice.



# Replaces Toro Reelmaster 5410-D Parts

DPA Cutting Unit with 7" Reel - Models 03681, 03682, 03696 & 03697

Rear Roller Brush



Item No	R&R Part No.	OEM Part No.	Description	Qty Req	Order Quantity
14	<b>R108-4480</b>	108-4480	Bracket - Rear Roller Brush	2	
15	<b>R104-8300</b>	104-8300, 104-8300 , 119-4041	Locknut - 5/16-18 Flanged Y/Zinc	10	
16	<b>R108-4495</b>	108-4495	Bearing Housing Assy - Driven	1	
17	<b>R108-4496</b>	108-4496	Bearing Housing Assy - Non Driven	1	
18	<b>R95-0707</b>	95-0707	Bearing - Self Aligning	2	
19	<b>R106-8530</b>	106-8530	Seal - Oil	5	
20	<b>R108-4172</b>	108-4172	Seal - Excluder	2	
21	<b>R322-16</b>	322-16, Apr-00	Bolt - Hex HD 5/16-18 x 1-1/8	4	
22	<b>R94-6936</b>	94-6936, 94-9236	Washer - Hardened - 5/16 SAE	4	
23	<b>R237-22</b>	107-8844, 237-22, 237-78	O-Ring	1	
24	<b>R108-4491</b>	108-4491	Spacer - Hardened	1	
25	<b>R112-6957</b>	112-6957	Washer - Hardened	2	
26	<b>R302-5</b>	21-6010, 302-11, 302-37, 302-47, 302-5, 302-57, 302-58, 302-6, 31-0300, 32-9660, 60-0800, 62-3880, 92-4181	Fitting - Grease	2	

All original equipment manufacturers names and part numbers are used for identification purposes only, and we are in no way implying that our products are original equipment parts. Prices subject to change without notice.



# Replaces Toro Reelmaster 5410-D Parts

DPA Cutting Unit with 7" Reel - Models 03681, 03682, 03696 & 03697

Rear Roller Brush



Item No	R&R Part No.	OEM Part No.	Description	Qty Req	Order Quantity
27	<b>R108-4205</b>	108-4205	Plate Assy - Rear Roller Brush	1	
30	<b>R27-0411</b>	27-0411	Bolt - Shoulder	1	
31	<b>R3296-47</b>	3296-47	Locknut - 5/16-18 Jam Nyloc	6	
32	<b>R3256-45</b>	3256-45	Washer - Flat .733 x .381 x .058 YZ	6	
33	<b>R322-2</b>	322-2, 513338P	Bolt - Hex HD 5/16-18 x 5/8	2	
35	<b>R66-9302</b>	3234-20, 66-9302	Screw - HHF, Whiz	1	
37	<b>R104-8301</b>	104-8301, 104-9301, 109-6658, 133-7570	Locknut - 3/8-16 Nylon Flanged	1	
38	<b>R110-1745</b>	110-1745	Bearing Assy - Idler	1	
39	<b>R110-1701</b>	110-1701	Bearing	1	
40	<b>R32151-60</b>	32151-60	Ring - Snap	1	
41	<b>R93-3658</b>	93-3658	Spacer - Hardened	1	
42	<b>R115-0839</b>	115-0839	Spring - Idler - SS	1	
43	<b>R115-0833</b>	115-0833	Belt- Brush 7 in	1	
46	<b>R150690</b>	108-0989	Screw - Set 1/4-20 x 1/4	6	
47	<b>R105-9632</b>	105-9632	Bolt - J	2	
48	<b>R3296-2</b>	32127-10, 3296-2, 9157404	Nut - #10 Lock	2	
49	<b>R108-4201</b>	108-4201	Bearing Housing Assy	1	

All original equipment manufacturers names and part numbers are used for identification purposes only, and we are in no way implying that our products are original equipment parts. Prices subject to change without notice.