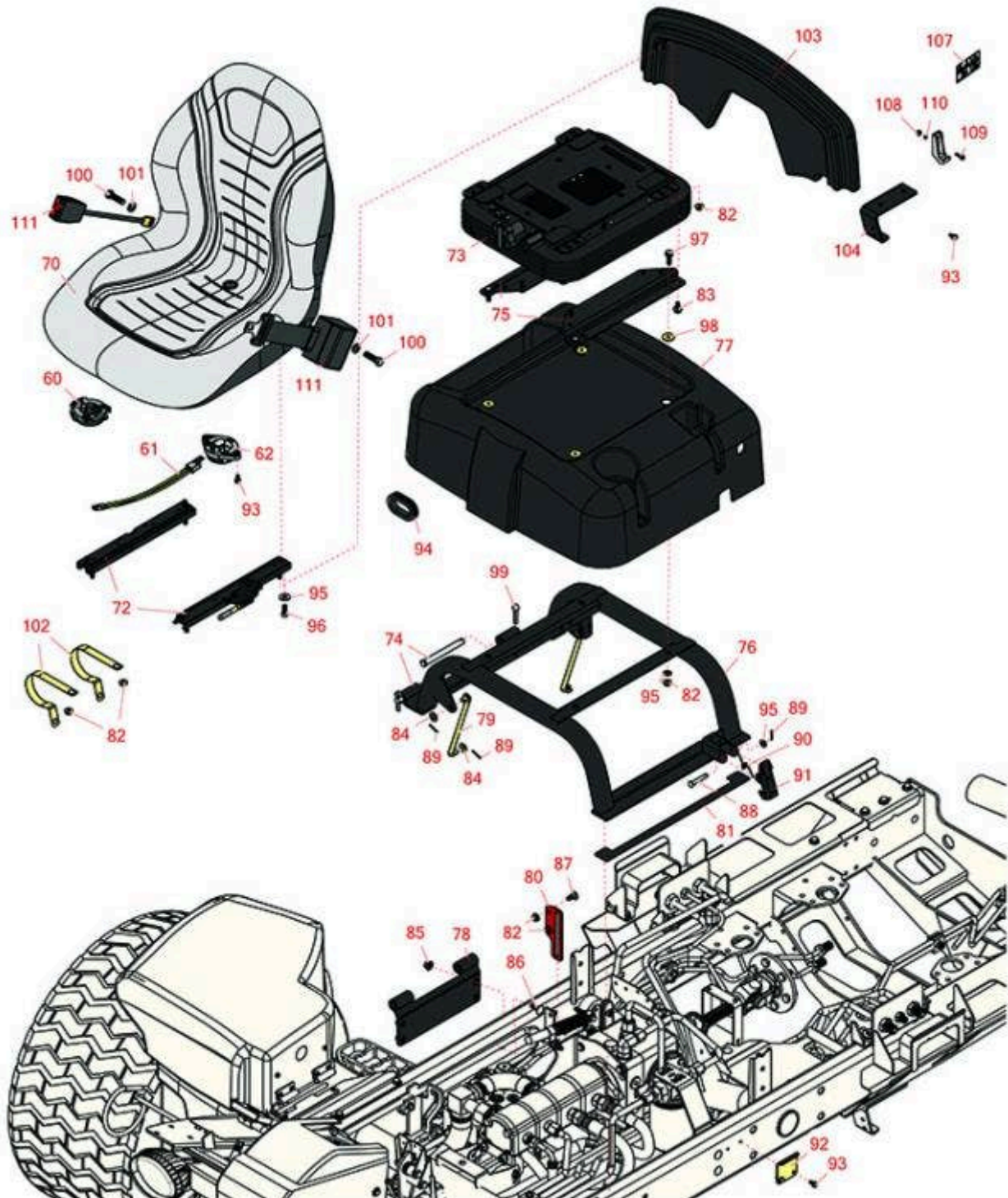




# Replaces Toro Reelmaster 5010-H Parts

Traction Unit  
Seat



All original equipment manufacturers names and part numbers are used for identification purposes only, and we are in no way implying that our products are original equipment parts. Prices subject to change without notice.



# Replaces Toro Reelmaster 5010-H Parts

Traction Unit  
Seat



Item No	R&R Part No.	OEM Part No.	Description	Qty Req	Order Quantity
---------	--------------	--------------	-------------	---------	----------------

## Gauges and Controls

60	<b>R151541</b>	R&R ON, LY	Delta Seat Switch - Twist Mount 1 Pole Normally Open	1	
61	<b>R108-8657</b>	108-8657	Harness-Wire, Seat	1	
61	<b>R150229</b>	82-2190	Switch - Operator Presence	1	
62	<b>R92-6282</b>	62-6282, 92-6282	Switch - Kill - Seat	1	

## Other Parts Available

70	<b>RMXB200GY</b>	100-3187, 104-4620, 104-7620, 21-4880, 351-59, 351-76, 49-8130, 63-9410, 66-5400, 75-9190, 750105, 92-6280, MXB200GY	Milsco Seat XB200 - Grey	1	
----	------------------	--	--------------------------	---	--

*Tech Note: This seat will not accept seat belts:*

70	<b>R120-5179</b>	120-5179	Large Seat Cover - Gray	1	
72	<b>R150224</b>	133-8896, 92-8990, 92-8990/92-8991, 92-8991	Adjusters - Seat (Set of 2)	1	
73	<b>R110-8851</b>	110-8851	Mechanical Suspension - Seat	1	
73	<b>R108-1695</b>	108-1695	Air Ride Suspension - Seat	1	
74	<b>R283-83</b>	283-83, 42194, 93-5343	Pin - Clevis	2	

All original equipment manufacturers names and part numbers are used for identification purposes only, and we are in no way implying that our products are original equipment parts. Prices subject to change without notice.



# Replaces Toro Reelmaster 5010-H Parts

*Traction Unit  
Seat*



Item No	R&R Part No.	OEM Part No.	Description	Qty Req	Order Quantity
75	<b>R108-6590-03</b>	108-6590-03	Seat Bracket - Lower	2	
76	<b>R108-7577-03</b>	108-7577-03	Seat Base Assy	1	
77	<b>R108-1757</b>	108-1757	Cover-Seat Base	1	
78	<b>R108-7582-03</b>	108-7582-03	Pivot Plate Assy	1	
79	<b>R98-0917</b>	98-0917	Rod-Prop	2	
80	<b>R108-7584-01</b>	108-7584-01	Plate-Guide, Rod	1	
81	<b>R110-5255</b>	110-5255	Bumper - Base - Seat	2	
82	<b>R104-8300</b>	104-8300, 104-8300 , 119-4041	Locknut - 5/16-18 Flanged Y/Zinc	10	
83	<b>R33114-016</b>	33114-016, 42-9230, 42-9270, 48-7680, 48-7690, 48-7700	Bolt - Hx HD 8mm x 1.25 x 15	4	

All original equipment manufacturers names and part numbers are used for identification purposes only, and we are in no way implying that our products are original equipment parts. Prices subject to change without notice.



# Replaces Toro Reelmaster 5010-H Parts

*Traction Unit  
Seat*



Item No	R&R Part No.	OEM Part No.	Description	Qty Req	Order Quantity
84	<b>R453011</b>	01-166-0100, 01-166-0120, 01-166-0270, 01-166-0500, 01-166-0600, 01-166-0620, 132-4593, 2356-3, 237-12, 24-10-AD, 24-11-AD, 24-11-BD, 24-12-AD, 24-12-BD, 30-9310, 32-8190, 3256-24, 3256-3, 3256-36, 3256-4, 453011, 47-9950, 48-9220, 513458, 7-0052	Washer - Flat 3/8 SAE Y/Zinc	4	
85	<b>R104-8301</b>	104-8301, 104-9301, 109-6658, 133-7570	Locknut - 3/8-16 Nylon Flanged	4	
86	<b>R3231-27</b>	3231-27	Bolt - Carriage 3/8-16 x 7/8	4	
87	<b>R3230-1</b>	01-173-0506, 3230-1, 3230-20, 900037P	Bolt - Carriage 5/16-18 x 3/4	2	
88	<b>R94-3829</b>	94-3829	Pin - Clevis	1	

All original equipment manufacturers names and part numbers are used for identification purposes only, and we are in no way implying that our products are original equipment parts. Prices subject to change without notice.



# Replaces Toro Reelmaster 5010-H Parts

Traction Unit  
Seat



Item No	R&R Part No.	OEM Part No.	Description	Qty Req	Order Quantity
89	<b>R1023-4</b>	01-151-0150, 1023-4, 19-6220, 214-14, 215-54, 28-9-D, 3272-4, 3272-6, 513567, 932008P	Pin - Cotter 3/32 x 3/4	1	
90	<b>R104-4821</b>	104-4821	Spring - Torsion - Seat Base	1	
91	<b>R110-8971</b>	110-8971	Latch	1	
92	<b>R110-8972</b>	110-8972	Hook-Latch	1	
93	<b>R12-3270</b>	12-3270, 30-0700, 32104-17, 9266714, Aug-80	Bolt - Hex Washer 1/4-20 x 1/2	2	
94	<b>R240-12</b>	240-12	Grommet	1	
95	<b>R453009</b>	01-166-0400, 24-10-BD, 24-9-AD, 32-9650, 3256-2, 3256-23, 3256-3, 3256-67, 3290-217, 3556-3, 4-2390, 7-0152	Washer - Flat 5/16 SAE	9	
96	<b>R434024</b>	3274-12	Bolt - Soc HD Cap 5/16-18 x 3/4	4	
97	<b>R3234-29</b>	3234-17, 3234-29	Bolt - 5/16-18x1 Serr Hex	4	
98	<b>R366653</b>	71-9310	Spacer	4	

All original equipment manufacturers names and part numbers are used for identification purposes only, and we are in no way implying that our products are original equipment parts. Prices subject to change without notice.



# Replaces Toro Reelmaster 5010-H Parts

*Traction Unit  
Seat*



Item No	R&R Part No.	OEM Part No.	Description	Qty Req	Order Quantity
99	<b>R3272-11</b>	01-151-0010, 01-151-0040, 28-18-D, 28-28-D, 3211-72, 3272-11	Pin - Cotter	2	
100	<b>R3212-4</b>	3212-3, 3212-4	Bolt - Hex HD 7/16-20 x 1 GR5	2	
101	<b>R3253-6</b>	01-166-0710, 23-12-GD, 3253-6, 59-7590	Washer - Lock 7/16 Zinc	2	
102	<b>R2412-133</b>	01-651-0160, 2412-133	Clamp	2	
103	<b>R108-7587</b>	108-7587	Saddle-Hood	1	
104	<b>R110-0979-03</b>	110-0979-03	Bracket-Deflector	2	
107	<b>R106-6754</b>	106-6754	Decal - Danger	1	
108	<b>R3296-12</b>	32127-20, 3296-12	Nut - 10-32 Nylon Lock	4	
109	<b>R32105-13</b>	32105-13	Screw - Hx Was HD 10-32 x 3/4	4	
110	<b>R3256-14</b>	24-7-BD, 32125-2, 3256-14, 3256-51, 51-2170	Washer - 10 Flat	4	
111	<b>R150848</b>	100-4928, 110-0413, 110-9720, 95-8910	Belt-Seat	1	

All original equipment manufacturers names and part numbers are used for identification purposes only, and we are in no way implying that our products are original equipment parts. Prices subject to change without notice.