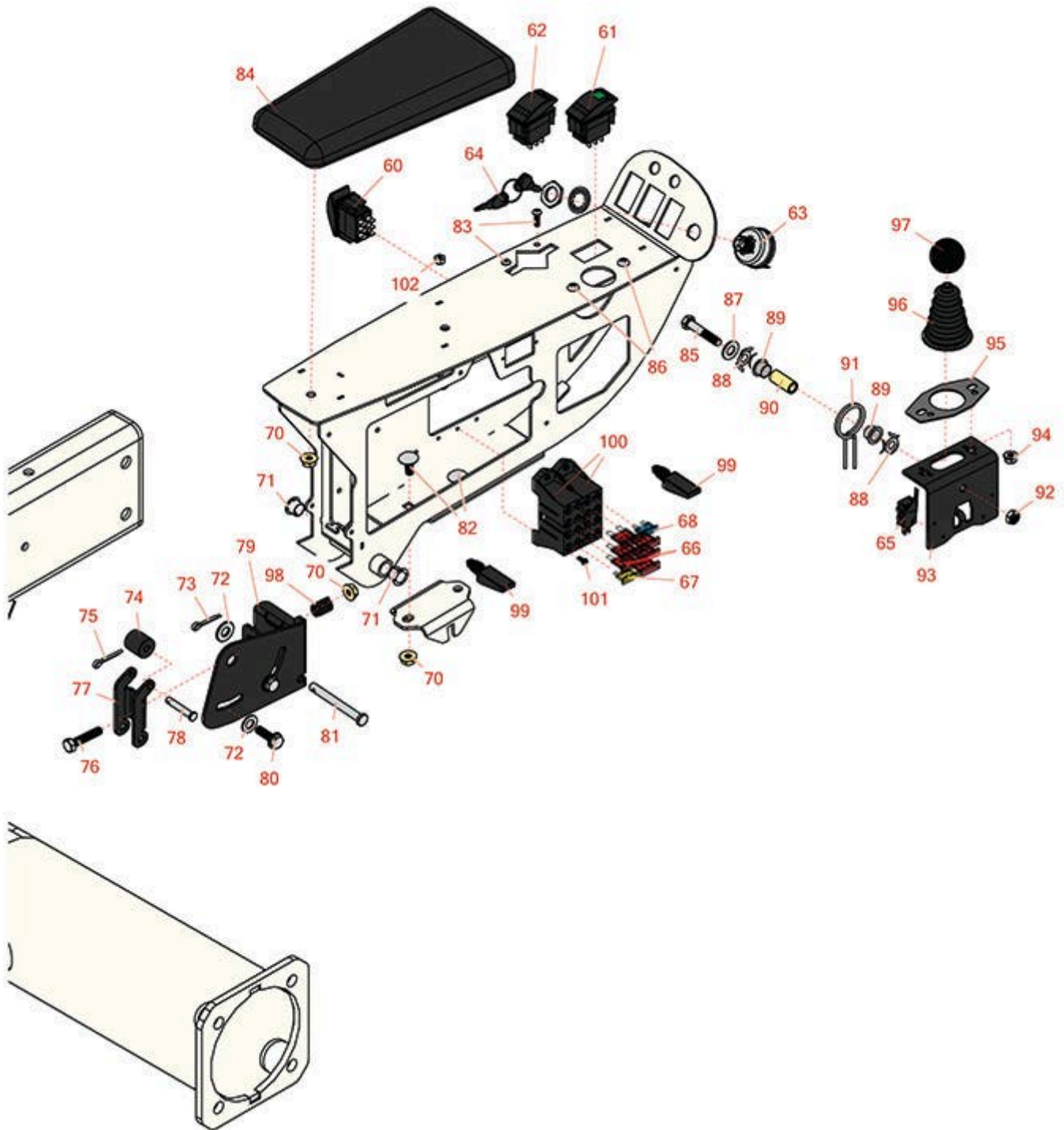




Replaces Toro Reelmaster 5010-H Parts

Traction Unit

Console & Control Arm



All original equipment manufacturers names and part numbers are used for identification purposes only, and we are in no way implying that our products are original equipment parts. Prices subject to change without notice.



Replaces Toro Reelmaster 5010-H Parts

Traction Unit

Console & Control Arm



Item No	R&R Part No.	OEM Part No.	Description	Qty Req	Order Quantity
Gauges and Controls					
60	R95-8999	95-8999	Switch - Headlight	1	
61	R105-4232	105-4232	Switch - Enable-Disable	1	
62	R100-1535	100-1535, 100-8492	Switch	1	
63	R151386	106-5269	Ignition Switch Assy	1	
64	R343060	218-412, 32-8380, 33-2010, 62-7770, 63-8360, 94-2618	Ignition - Key Set/2	1	
65	R108-6496	108-6496	Micro Switch w/Boot	2	
66	R218-578	218-578, 95-2438	Fuse - 10 Amp	6	
67	R150812	109102, 109355, 150812, 218-581	Fuse - 15 Amp	1	
68	R94-6710	94-6710	Fuse-Blade, 2 Amp	1	
Other Parts Available					
70	R104-8300	104-8300, 104-8300 , 119-4041	Locknut - 5/16-18 Flanged Y/Zinc	5	
71	R256-257	256-257, 256-295	Nyliner Bushing	2	

All original equipment manufacturers names and part numbers are used for identification purposes only, and we are in no way implying that our products are original equipment parts. Prices subject to change without notice.



Replaces Toro Reelmaster 5010-H Parts

Traction Unit

Console & Control Arm



Item No	R&R Part No.	OEM Part No.	Description	Qty Req	Order Quantity
72	R453009	01-166-0400, 24-10-BD, 24-9-AD, 32-9650, 3256-2, 3256-23, 3256-3, 3256-67, 3290-217, 3556-3, 4-2390, 7-0152	Washer - Flat 5/16 SAE	3	
73	R3272-10	01-151-0120, 105-7512, 3272-10, N/A	Pin - Cotter 1/8 x 3/4	1	
74	R110-8856	110-8856	Spacer	1	
75	R3272-1	3272-1, 3272-51, 352-111, 352-142, 58-1480	Pin-Cotter	1	
76	R322-7	01-150-0750, 01-150-0760, 01-178-0512, 20-28-AD, 20-28-AGD, 322-7, 3223-4	Bolt - Hex HD 5/16-18 x 1-1/2	1	
77	R110-5314	110-5314	Latch	1	
78	R283-73	283-73	Pin-Clevis	1	
79	R110-5313-03	110-5313-03	Bracket - Retainer	1	
80	R3234-29	3234-17, 3234-29	Bolt - 5/16-18x1 Serr Hex	2	
81	R283-88	283-88	Pin-Clevis	1	

All original equipment manufacturers names and part numbers are used for identification purposes only, and we are in no way implying that our products are original equipment parts. Prices subject to change without notice.



Replaces Toro Reelmaster 5010-H Parts

Traction Unit

Console & Control Arm



Item No	R&R Part No.	OEM Part No.	Description	Qty Req	Order Quantity
82	R3230-23	3230-23, Mar-61	Bolt - 5/16-18x3/4 - Carriage	2	
83	R3290-134	3290-134	Screw - 10-24x5/8 Hh Ms	2	
84	R108-7602	108-7602	Arm Rest	1	
85	R19H3130	322-9, 3223-5	Bolt - Hex HD 5/16-18 x 1-3/4	1	
86	R3258-166	3258-166	Screw-Ph Rnd HD	2	
87	R453011	01-166-0100, 01-166-0120, 01-166-0270, 01-166-0500, 01-166-0600, 01-166-0620, 132-4593, 2356-3, 237-12, 24-10-AD, 24-11-AD, 24-11-BD, 24-12-AD, 24-12-BD, 30-9310, 32-8190, 3256-24, 3256-3, 3256-36, 3256-4, 453011, 47-9950, 48-9220, 513458, 7-0052	Washer - Flat 3/8 SAE Y/Zinc	1	
88	R106-4193	106-4193	Washer - Finger, Spr	2	
89	R93-5547	93-5547	Bushing-Nylon	2	
90	R106-4192	106-4192	Spacer	1	
91	R105-8289	105-8289, 93-5509	Spring-Torsion	1	

All original equipment manufacturers names and part numbers are used for identification purposes only, and we are in no way implying that our products are original equipment parts. Prices subject to change without notice.



Replaces Toro Reelmaster 5010-H Parts

Traction Unit

Console & Control Arm



Item No	R&R Part No.	OEM Part No.	Description	Qty Req	Order Quantity
92	R3296-29	1-804256, 3290-357, 3296-29, 915662P	Locknut - 5/16-18 ESNA	1	
93	R115-5357-03	115-5357-03	Bracket - Joystick	1	
94	R104-7201	104-7201	Locknut - 1/4-20 ESNA Flanged	2	
95	R112-9181	106-4188-03, 112-9181	Plate-Boot	1	
96	R93-5961	93-5961	Dust Guard - Shifter	1	
97	R233-42	1-603175, 120-9752, 233-42, 233-47	Knob	1	
98	R110-5331	110-5331	Spring - Compression	1	
99	R74-5950	249-48, 74-5950	Latch - Swell	2	
100	R85-4650	85-4650	Fuse Holder Block	1	
101	R150291	32144-87	Screw - 8 x 1/2 Sheet Metal	4	
102	R3296-12	32127-20, 3296-12	Nut - 10-32 Nylon Lock	2	

All original equipment manufacturers names and part numbers are used for identification purposes only, and we are in no way implying that our products are original equipment parts. Prices subject to change without notice.