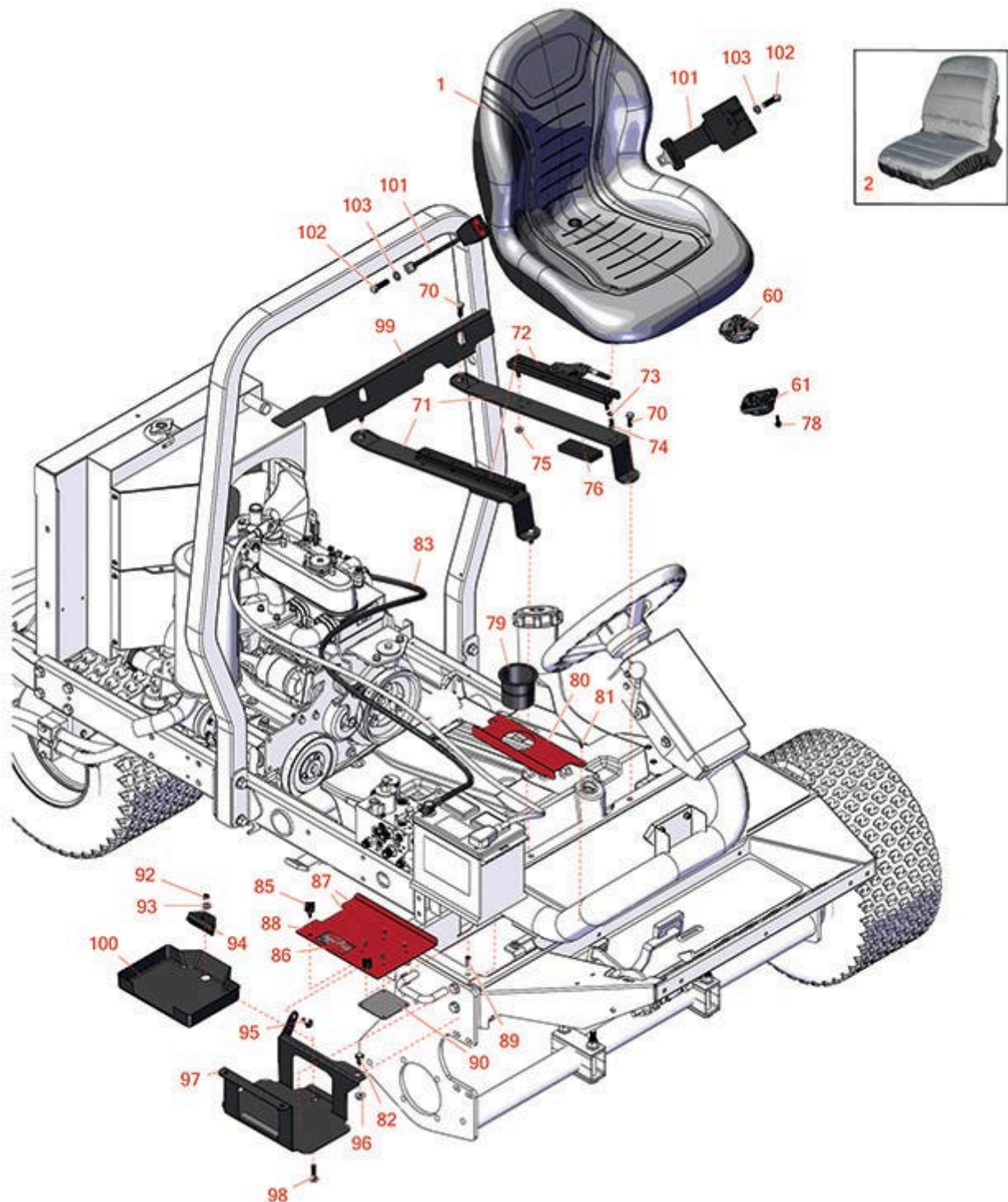




# Replaces Toro Reelmaster 3100-D Parts

Traction Unit - Model 03207

Battery & Seat



All original equipment manufacturers names and part numbers are used for identification purposes only, and we are in no way implying that our products are original equipment parts. Prices subject to change without notice.



# Replaces Toro Reelmaster 3100-D Parts

Traction Unit - Model 03207

Battery & Seat



Item No	R&R Part No.	OEM Part No.	Description	Qty Req	Order Quantity
1	<b>RMXB200GY</b>	100-3187, 104-4620, 104-7620, 21-4880, 351-59, 351-76, 49-8130, 63-9410, 66-5400, 75-9190, 750105, 92-6280, MXB200GY	Milsco Seat XB200 - Grey	1	
<i>Tech Note: This seat will not accept seat belts:</i>					
2	<b>R120-5179</b>	120-5179	Large Seat Cover - Gray	1	
<b>Gauges and controls</b>					
60	<b>R151541</b>	R&R ON, LY	Delta Seat Switch - Twist Mount 1 Pole Normally Open	1	
61	<b>R92-6282</b>	62-6282, 92-6282	Switch - Kill - Seat	1	
<b>Other Parts Available</b>					
70	<b>R3234-11</b>	3234-11	Bolt - Hex Washer HD	4	
71	<b>R104-4847-03</b>	104-4847-03	Strap - Seat Support	2	
72	<b>R150224</b>	133-8896, 92-8990, 92-8990/92-8991, 92-8991	Adjusters - Seat (Set of 2)	1	
73	<b>R3255-8</b>	3255-8	Washer - Lock 5/16 Ext	4	
74	<b>R322-2</b>	322-2, 513338P	Bolt - Hex HD 5/16-18 x 5/8	4	

All original equipment manufacturers names and part numbers are used for identification purposes only, and we are in no way implying that our products are original equipment parts. Prices subject to change without notice.



# Replaces Toro Reelmaster 3100-D Parts

*Traction Unit - Model 03207*

*Battery & Seat*



Item No	R&R Part No.	OEM Part No.	Description	Qty Req	Order Quantity
75	<b>R445795</b>	30-4020, 32128-25, 445795	Nut - 5/16-18 Flanged	4	
76	<b>R95-8896</b>	95-8896	Foam	2	
78	<b>R32144-10</b>	32140-81, 32144-10, 32144-3, 34-140-AMVD	Bolt - 1/4-20 x 3/4 Serrated Hx Wshr	2	
79	<b>R94-1410</b>	94-1410	Holder - Beverage Can	1	
80	<b>R95-8817-01</b>	95-8817, 95-8817-01	Cover - Battery - Inner	1	
81	<b>R300403</b>	32144-4, 32144-63, 49-2040	Bolt - Hex HD 1/4-20 x 1/2	2	
82	<b>R3234-1</b>	321-11, 3234-1	Bolt - Flanged Serrated Hex HD 3/8-16 x 3/4	3	
83	<b>R95-8854</b>	95-8854	Cable - Battery - Neg	1	
85	<b>R233-70</b>	233-70, 42619	Knob - Star - Three Prong	2	
86	<b>R93-7276</b>	93-7276	Decal - Danger	1	
87	<b>R3269-27</b>	3269-27	Rivet - Snap	4	
88	<b>R99-3602</b>	95-8807, 95-8807-01, 99-3602	Battery Cover Assy	1	
89	<b>R32148-6</b>	32148-6	Insert - Nut	2	
90	<b>R87-7620</b>	87-7620	Shield - Terminal	1	
92	<b>R3296-29</b>	1-804256, 3290-357, 3296-29, 915662P	Locknut - 5/16-18 ESNA	1	

All original equipment manufacturers names and part numbers are used for identification purposes only, and we are in no way implying that our products are original equipment parts. Prices subject to change without notice.



# Replaces Toro Reelmaster 3100-D Parts

*Traction Unit - Model 03207*

*Battery & Seat*



Item No	R&R Part No.	OEM Part No.	Description	Qty Req	Order Quantity
93	<b>R453009</b>	01-166-0400, 24-10-BD, 24-9-AD, 32-9650, 3256-2, 3256-23, 3256-3, 3256-67, 3290-217, 3556-3, 4-2390, 7-0152	Washer - Flat 5/16 SAE	1	
94	<b>R66-2490</b>	66-2490	Retainer - Battery	1	
95	<b>R32144-15</b>	32144-15	Bolt - Hex Washer HD	1	
96	<b>R32128-43</b>	30-8990, 32128-43, 3290-357	Nut - Flanged Whiz - 3/8-16	3	
97	<b>R95-8796-03</b>	95-8796, 95-8796-03	Support -Battery	1	
98	<b>R3230-6</b>	3230-6	Bolt - Carraige	1	
99	<b>R104-4833-03</b>	104-4833-03	Shield - Heat	1	
100	<b>R99-3513</b>	99-3513	Tray - Battery	1	
101	<b>R150848</b>	100-4928, 110-0413, 110-9720, 95-8910	Belt-Seat	1	
102	<b>R3212-4</b>	3212-3, 3212-4	Bolt - Hex HD 7/16-20 x 1 GR5	2	
103	<b>R3253-6</b>	01-166-0710, 23-12-GD, 3253-6, 59-7590	Washer - Lock 7/16 Zinc	2	

All original equipment manufacturers names and part numbers are used for identification purposes only, and we are in no way implying that our products are original equipment parts. Prices subject to change without notice.