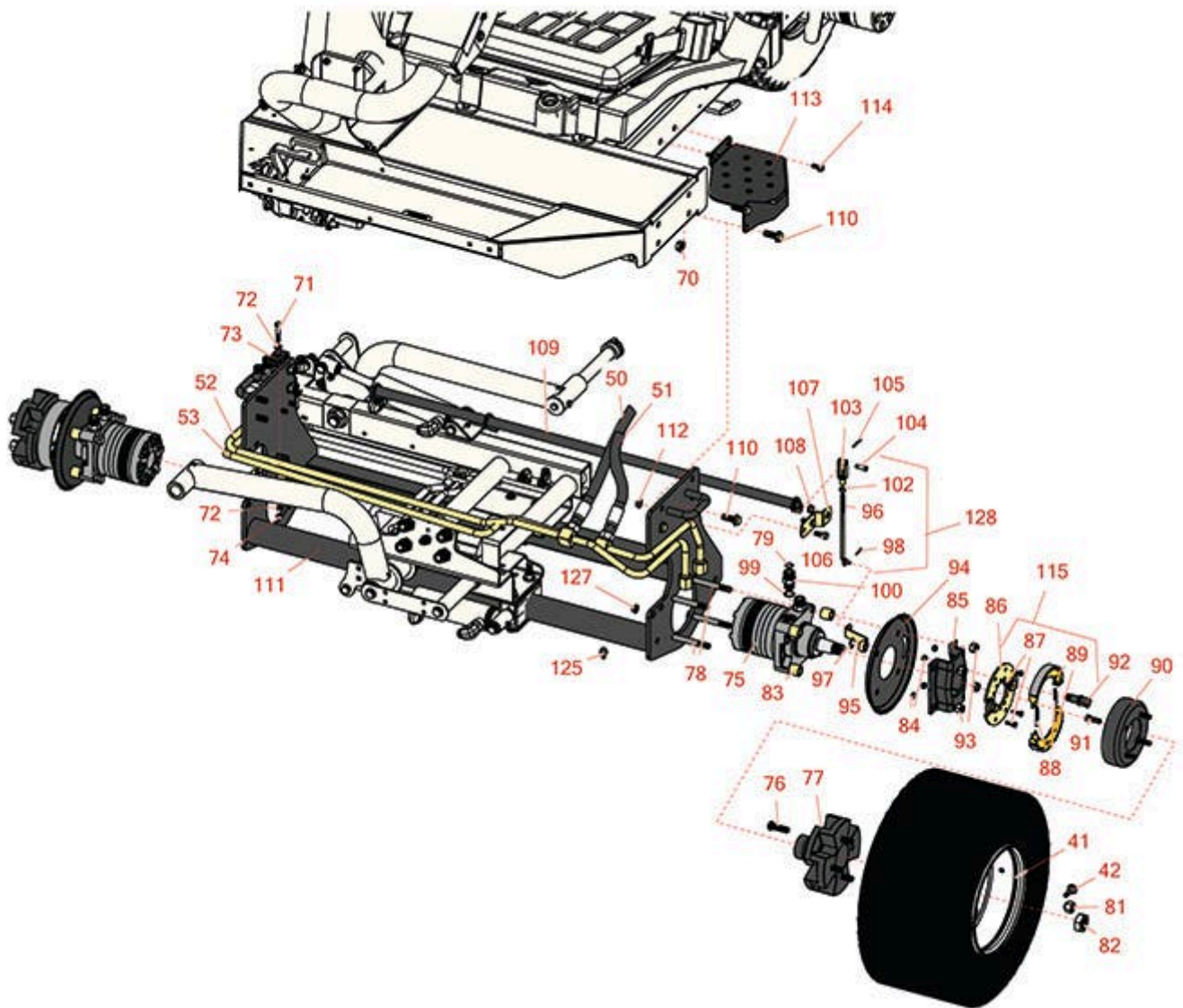




# Replaces Toro Reelmaster 3100-D Parts

Traction Unit - Model 03206

Front Wheel



All original equipment manufacturers names and part numbers are used for identification purposes only, and we are in no way implying that our products are original equipment parts. Prices subject to change without notice.



# Replaces Toro Reelmaster 3100-D Parts

Traction Unit - Model 03206

Front Wheel



Item No	R&R Part No.	OEM Part No.	Description	Qty Req	Order Quantity
41	<b>R104-0452</b>	104-0452	Rim - Wheel 10 x 9 3/4	2	
42	<b>R232-27</b>	232-27, 232-31	Stem - Valve w/ Cap	2	
<b>Hoses</b>					
50	<b>R105-1221</b>	105-1221	Hydraulic Hose Assy	1	
51	<b>R105-1214</b>	105-1214, 95-8834	Hydraulic Hose Assy	1	
52	<b>R95-8783</b>	95-8783	Tube Assy	1	
53	<b>R95-8784</b>	95-8784	Tube Assy	1	
<b>Other Parts Available</b>					
70	<b>R32128-49</b>	32128-49	Nut - 1/2-13 Hex Flange	8	
71	<b>R19H3130</b>	322-9, 3223-5	Bolt - Hex HD 5/16-18 x 1-3/4	2	
72	<b>R453009</b>	01-166-0400, 24-10-BD, 24-9-AD, 32-9650, 3256-2, 3256-23, 3256-3, 3256-67, 3290-217, 3556-3, 4-2390, 7-0152	Washer - Flat 5/16 SAE	4	
73	<b>R56-7971</b>	56-7971	Clamp - Tube	4	
74	<b>R3296-29</b>	1-804256, 3290-357, 3296-29, 915662P	Locknut - 5/16-18 ESNA	2	

All original equipment manufacturers names and part numbers are used for identification purposes only, and we are in no way implying that our products are original equipment parts. Prices subject to change without notice.



# Replaces Toro Reelmaster 3100-D Parts

*Traction Unit - Model 03206*

*Front Wheel*



Item No	R&R Part No.	OEM Part No.	Description	Qty Req	Order Quantity
75	<b>R110-8786</b>	110-8786, 95-8693	Hydraulic Motor - RH Wheel	1	
75	<b>R110-8785</b>	110-8785	Hydraulic Motor - LH Wheel	1	
75	<b>R75-9990</b>	75-9990	Hydraulic Motor - Wheel	2	
76	<b>R10-6830</b>	10-6830, 75-9440	Stud - Wheel 1/2-20 x 1 3/4	8	
77	<b>R104-0462-03</b>	104-0462, 104-0462-03	Hub - Wheel - Front	2	
78	<b>R3274-99</b>	3274-99	Bolt - Hx Soc HD	8	
79	<b>R237-65</b>	237-65, 237.65	O-Ring	4	
81	<b>R242-50</b>	242-50	Nut - 1/2-20 Wheel	8	
82	<b>R26-3790</b>	26-3790	Nut - Hex - Wheel Motor 1-20	2	
83	<b>R92-1715</b>	100005, 92-1715	Spacer	8	
84	<b>R301504</b>	2296-42, 301504, 32127-24, 32128-33, 32146-17, 3296-16, 3296-42, 3296-42 , 915661P	Locknut - ESNA 1/4-20	8	
85	<b>R84-2000-03</b>	84-2000, 84-2000-03, 84-2000-0P	Bracket - Brake	2	
86	<b>R70-9870</b>	70-9870	Plate - Backing	2	
87	<b>R321-5</b>	321-31, 321-5	Bolt - Hex HD 1/4-20 x 7/8	8	

All original equipment manufacturers names and part numbers are used for identification purposes only, and we are in no way implying that our products are original equipment parts. Prices subject to change without notice.



# Replaces Toro Reelmaster 3100-D Parts

*Traction Unit - Model 03206*

*Front Wheel*



Item No	R&R Part No.	OEM Part No.	Description	Qty Req	Order Quantity
88	<b>R70-9880</b>	70-9880	Spring - Brake Shoe	4	
89	<b>R70-9840</b>	70-9840	Shoe - Brake	4	
90	<b>R104-4809</b>	104-4809	Drum - Brake	2	
91	<b>R3274-105</b>	3274-105	Screw - Button HD Soc Cap	8	
92	<b>R104-7707</b>	104-7707, 104-7708, 70-9850, 70-9860	Cam - Brake	2	
93	<b>RF5003</b>	32127-29, 32131-5, 32132-5, 3296-23	Locknut - ESNA 1/2-13	8	
94	<b>R104-0485-03</b>	104-0485-03, 104-0485-0P	Shield - Wheel	2	
95	<b>R93-6850</b>	114-2726, 93-6850	Lever - Brake	2	
96	<b>R104-4627</b>	104-4627	Rod - Adjusting	2	
97	<b>R150513</b>	104-7706	E - Clip - Brake Assy	1	
98	<b>R1023-4</b>	01-151-0150, 1023-4, 19-6220, 214-14, 215-54, 28-9-D, 3272-4, 3272-6, 513567, 932008P	Pin - Cotter 3/32 x 3/4	2	
99	<b>R237-80</b>	237-80, 327-80	O-Ring	4	
100	<b>R340-7</b>	340-7	Adapter	4	

All original equipment manufacturers names and part numbers are used for identification purposes only, and we are in no way implying that our products are original equipment parts. Prices subject to change without notice.



# Replaces Toro Reelmaster 3100-D Parts

*Traction Unit - Model 03206*

*Front Wheel*



Item No	R&R Part No.	OEM Part No.	Description	Qty Req	Order Quantity
102	<b>R3220-2</b>	01-191-0524, 3220-2	Nut - Jam - 5/16-24	2	
103	<b>R282-2</b>	1-303105, 282-2	Yoke	2	
104	<b>R283-1</b>	283-1, 283-13	Pin - Clevis	2	
105	<b>R3272-10</b>	01-151-0120, 105-7512, 3272-10, N/A	Pin - Cotter 1/8 x 3/4	2	
106	<b>R3234-11</b>	3234-11	Bolt - Hex Washer HD	4	
107	<b>R95-8683</b>	95-8683	Bracket - Pivot	2	
108	<b>R256-156</b>	256-156, 256-219	Bushing - Flanged	2	
109	<b>R104-4625-03</b>	104-4625-03	Brake Pivot Shaft	1	
110	<b>R3234-38</b>	3234-38	Bolt - Flanged Hex 1/2-13 x 1-1/4	8	
111	<b>R95-8568-03</b>	95-8568, 95-8568-03	Frame - Lower	1	
112	<b>R32128-43</b>	30-8990, 32128-43, 3290-357	Nut - Flanged Whiz - 3/8-16	4	
113	<b>R99-3375-03</b>	99-3375, 99-3375-03	Step	1	
114	<b>R3234-5</b>	3234-5, 62-3310	Bolt - 5/16-18x3/4 Hx Ser Was HD	2	
115	<b>R71-1500</b>	104-7705, 71-1500	Brake Assy	2	
125	<b>R3234-14</b>	3234-14, 3234-23	Bolt - Hex Serrated Washer HD	3	

All original equipment manufacturers names and part numbers are used for identification purposes only, and we are in no way implying that our products are original equipment parts. Prices subject to change without notice.



# Replaces Toro Reelmaster 3100-D Parts

*Traction Unit - Model 03206*

*Front Wheel*



Item No	R&R Part No.	OEM Part No.	Description	Qty Req	Order Quantity
127	<b>R104-8301</b>	104-8301, 104-9301, 109-6658, 133-7570	Locknut - 3/8-16 Nylon Flanged	4	
128	<b>R115-6672</b>	115-6672	Brake Lever Assy	2	

All original equipment manufacturers names and part numbers are used for identification purposes only, and we are in no way implying that our products are original equipment parts. Prices subject to change without notice.