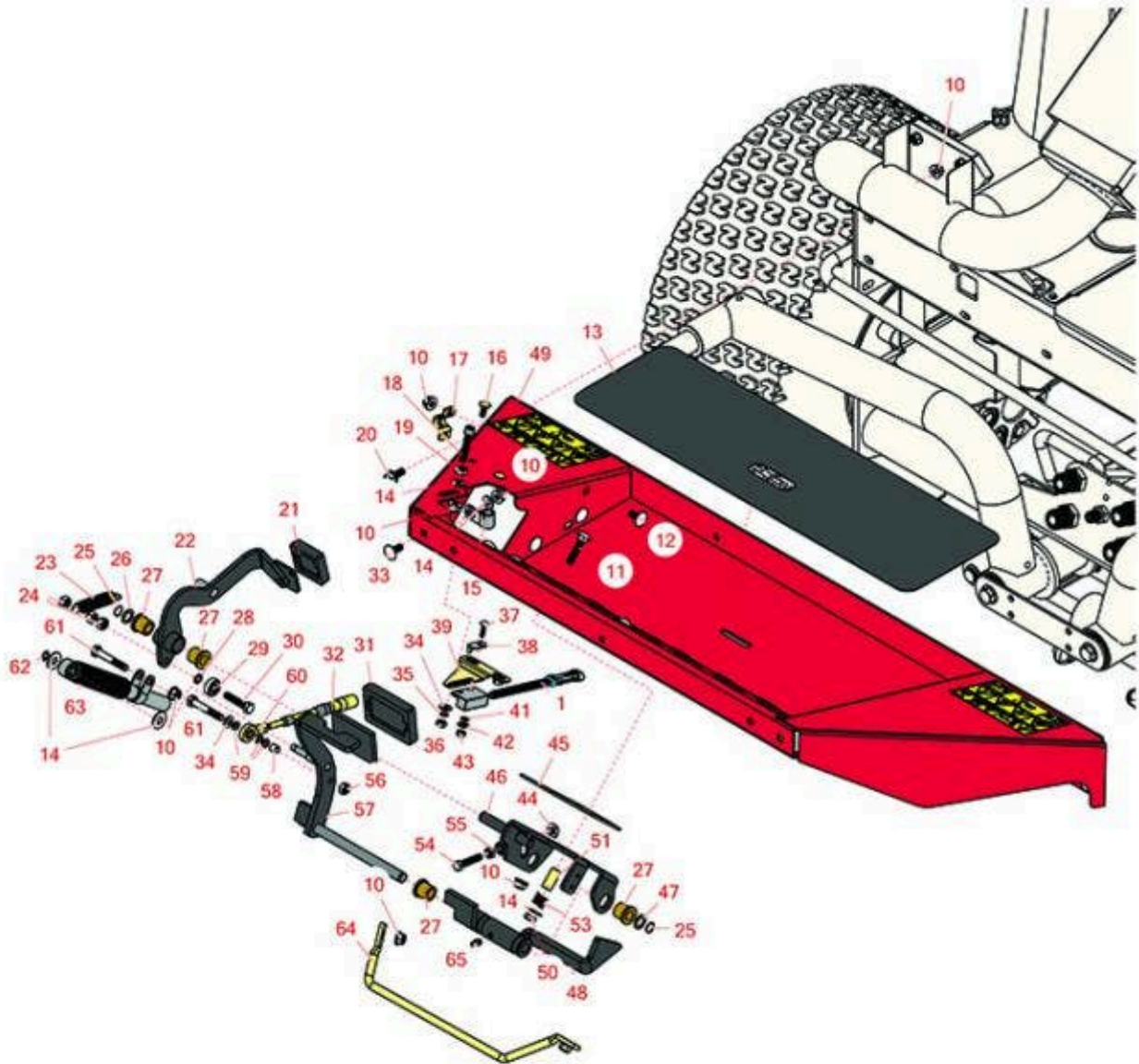
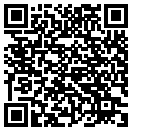




# Replaces Toro Reelmaster 3100-D Parts

*Traction Unit - Model 03200*

*Front Platform*



All original equipment manufacturers names and part numbers are used for identification purposes only, and we are in no way implying that our products are original equipment parts. Prices subject to change without notice.



# Replaces Toro Reelmaster 3100-D Parts

Traction Unit - Model 03200

Front Platform



Item No	R&R Part No.	OEM Part No.	Description	Qty Req	Order Quantity
<b>Gauges and Controls</b>					
1	<b>R100-1270</b>	100-1270	Sensor - Proximity	1	
<b>Other Parts Available</b>					
10	<b>R445722</b>	30-8980, 32128-2, 32128-20, 32128-20, 445722	Nut - Serrated Washer	15	
11	<b>R3230-6</b>	3230-6	Bolt - Carraige	1	
12	<b>R112-6950</b>	112-6950, 3230-27	Bolt - Carriage 5/16-18 x 1-1/2	3	
13	<b>R99-3478</b>	99-3478	Pad - Anti Skid	1	
14	<b>R453009</b>	01-166-0400, 24-10-BD, 24-9-AD, 32-9650, 3256-2, 3256-23, 3256-3, 3256-67, 3290-217, 3556-3, 4-2390, 7-0152	Washer - Flat 5/16 SAE	3	
15	<b>R2412-103</b>	2412-103	Clamp	1	
16	<b>R3229-1</b>	01-173-0406, 01-178-0408, 3229-1, 3229-25, 900015P	Bolt - 1/4-20 x 3/4 - Carriage	2	
17	<b>R93-2092</b>	93-2092	Clamp - Cable	1	
18	<b>R330748</b>	3274-22, 330748	Screw - 5/16-18x1 Socket HD	1	

All original equipment manufacturers names and part numbers are used for identification purposes only, and we are in no way implying that our products are original equipment parts. Prices subject to change without notice.



# Replaces Toro Reelmaster 3100-D Parts

*Traction Unit - Model 03200*

*Front Platform*



Item No	R&R Part No.	OEM Part No.	Description	Qty Req	Order Quantity
19	<b>R443106</b>	01-188-0518, 22-12-AJD, 32111-4, 3217-4, 3217-6, 3218-2, 513295, 513412, 915112P, 915978, 915979	Nut - 5/16-18 Y/Zinc Plated	1	
20	<b>R3234-5</b>	3234-5, 62-3310	Bolt - 5/16-18x3/4 Hx Ser Was HD	11	
21	<b>R74-9110</b>	74-9110	Rubber Foot Pad - Reverse	1	
22	<b>R99-3379</b>	99-3379	Pedal - Reverse	1	
23	<b>R99-3476</b>	99-3476	Spring - Extension	1	
24	<b>R3296-47</b>	3296-47	Locknut - 5/16-18 Jam Nyloc	3	
25	<b>R32151-84</b>	32120-3, 32120-80, 32151-84	Ring - Shaft - Ext	2	
26	<b>R455012</b>	3256-26, 41-8440	Washer - Flat 1/2 x 3/4	1	
27	<b>R256-243</b>	256-243	Bearing - Flange	4	
28	<b>R75-5470</b>	75-5470	Spacer - Bearing	1	
29	<b>R251-259</b>	251-259, 251-307	Bearing - Ball	1	
30	<b>R322-7</b>	01-150-0750, 01-150-0760, 01-178-0512, 20-28-AD, 20-28-AGD, 322-7, 3223-4	Bolt - Hex HD 5/16-18 x 1-1/2	1	

All original equipment manufacturers names and part numbers are used for identification purposes only, and we are in no way implying that our products are original equipment parts. Prices subject to change without notice.



# Replaces Toro Reelmaster 3100-D Parts

*Traction Unit - Model 03200*

*Front Platform*



Item No	R&R Part No.	OEM Part No.	Description	Qty Req	Order Quantity
31	<b>R74-9100</b>	74-9100	Rubber Foot Pad - Forward	1	
32	<b>R100-4815</b>	100-4815	Cable - Traction Control	1	
32	<b>R107-2550</b>	107-2550, 93-2099	Cable - Control - Traction	1	
33	<b>R3230-23</b>	3230-23, Mar-61	Bolt - 5/16-18x3/4 - Carriage	5	
34	<b>R3256-22</b>	24-9-BD, 3-1032, 3256-1, 3256-22, 93-0954, 93-0989	Washer - Flat 1/4 Yellow	3	
35	<b>R3255-7</b>	3255-7, 76-5310	Washer - Lock 1/4 Ext Star Z	2	
36	<b>R443102</b>	01-188-0420, 22-11-AJD, 3217-5, 33024-00	Nut - 1/4-20 Yellow Zinc	2	
37	<b>R3229-20</b>	3229-20	Screw - 3/16-24 x 3/4 Carr	1	
38	<b>R100-4872</b>	100-4872, 104-7702	Plate-Switch - Neutral	1	
39	<b>R100-4871</b>	100-4871	Bracket - Neutral Switch	1	
41	<b>R3256-14</b>	24-7-BD, 32125-2, 3256-14, 3256-51, 51-2170	Washer - 10 Flat	1	
42	<b>R3255-17</b>	3255-17	Washer - Lock - Ext	1	
43	<b>R3296-2</b>	32127-10, 3296-2, 9157404	Nut - #10 Lock	1	
44	<b>R99-3565</b>	99-3565	Nut - Square	1	

All original equipment manufacturers names and part numbers are used for identification purposes only, and we are in no way implying that our products are original equipment parts. Prices subject to change without notice.



# Replaces Toro Reelmaster 3100-D Parts

*Traction Unit - Model 03200*

*Front Platform*



Item No	R&R Part No.	OEM Part No.	Description	Qty Req	Order Quantity
45	<b>R106-2661-01</b>	106-2661-01	Plate - Support	1	
46	<b>R95-8869-03</b>	95-8869, 95-8869-03	Bracket - Traction Pedal	1	
47	<b>R73-0040</b>	73-0040	Washer - Thrust	1	
48	<b>R95-8861</b>	95-8861	Slide	1	
49	<b>R106-4154</b>	106-4154	Floorplate Assy	1	
50	<b>R3296-29</b>	1-804256, 3290-357, 3296-29, 915662P	Locknut - 5/16-18 ESNA	1	
51	<b>R95-8866</b>	95-8866	Tube- Rocker Arm	1	
53	<b>R65-9940</b>	65-9940	Spring	1	
54	<b>R322-41</b>	322-41	Bolt - Hx HD	1	
55	<b>RP457-2</b>	01-191-0518, 22-12-AJK, 3218-2, 513299, P457-2	Nut - Jam 5/16-18 Zinc	1	
56	<b>R301504</b>	2296-42, 301504, 32127-24, 32128-33, 32146-17, 3296-16, 3296-42, 3296-42 , 915661P	Locknut - ESNA 1/4-20	1	
57	<b>R104-4852-03</b>	104-4852-03, 99-3564	Traction Pedal Assy	1	
58	<b>R99-3545</b>	99-3545	Spacer	1	

All original equipment manufacturers names and part numbers are used for identification purposes only, and we are in no way implying that our products are original equipment parts. Prices subject to change without notice.



# Replaces Toro Reelmaster 3100-D Parts

*Traction Unit - Model 03200*

*Front Platform*



Item No	R&R Part No.	OEM Part No.	Description	Qty Req	Order Quantity
59	<b>R24M7139</b>	24M7139, 3256-16, 33093-00, 43-5930	Washer - Flat 6mm	3	
60	<b>R2411-41</b>	2411-41	Rod End - Ball Joint	1	
61	<b>R322-10</b>	20-30-AD, 24-7180, 322-10, 322-10 , 3223-6, 513347	Bolt - Hex HD 5/16-18 x 2	2	
62	<b>R32151-3</b>	32151-3	Ring - Grip	1	
63	<b>R76-8870</b>	105-7280, 76-8870	Lever Damper Assy	1	
64	<b>R95-8893</b>	95-8893	Bar - Deflector	1	
65	<b>R302-5</b>	21-6010, 302-11, 302-37, 302-47, 302-5, 302-57, 302-58, 302-6, 31-0300, 32-9660, 60-0800, 62-3880, 92-4181	Fitting - Grease	1	

All original equipment manufacturers names and part numbers are used for identification purposes only, and we are in no way implying that our products are original equipment parts. Prices subject to change without notice.