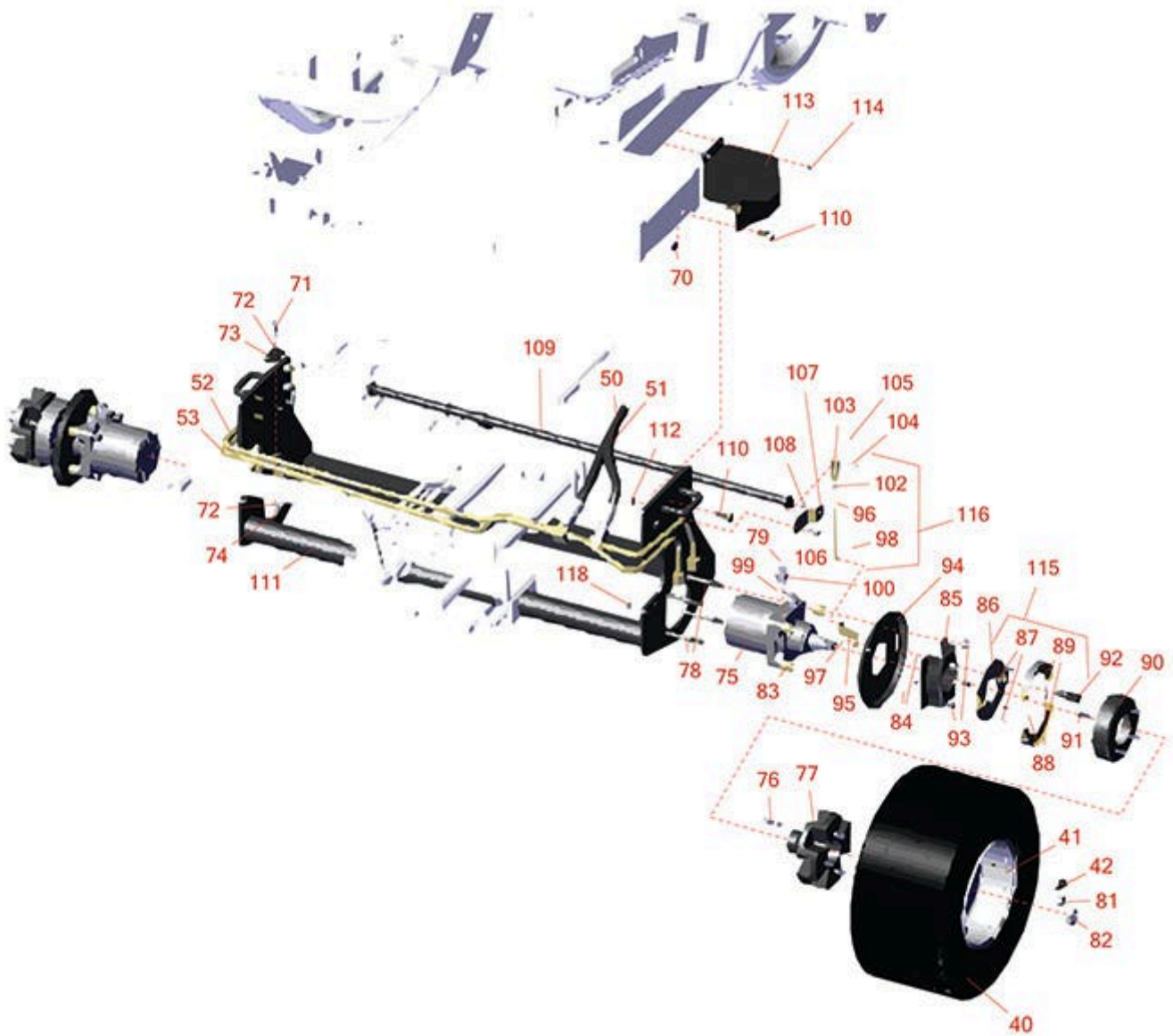




Replaces Toro Reelmaster 3100-D Parts

Traction Unit - Model 03170

Front Wheel



All original equipment manufacturers names and part numbers are used for identification purposes only, and we are in no way implying that our products are original equipment parts. Prices subject to change without notice.



Replaces Toro Reelmaster 3100-D Parts

Traction Unit - Model 03170

Front Wheel



Item No	R&R Part No.	OEM Part No.	Description	Qty Req	Order Quantity
Tires					
40	RCT511116	115-1572	Tire - 20x10.00-10 Nhs (4 Ply) Carlisle Turf Saver	2	
41	R104-0452	104-0452	Rim - Wheel 10 x 9 3/4	2	
41	R117-5126	117-5126, 121-3548	Rim - Wheel 10 x 10	2	
42	R232-27	232-27, 232-31	Stem - Valve w/ Cap	4	
Hoses					
50	R105-1221	105-1221	Hydraulic Hose Assy	1	
51	R105-1214	105-1214, 95-8834	Hydraulic Hose Assy	1	
52	R95-8783	95-8783	Tube Assy	1	
53	R95-8784	95-8784	Tube Assy	1	
Other Parts Available					
70	R32128-49	32128-49	Nut - 1/2-13 Hex Flange	8	
71	R19H3130	322-9, 3223-5	Bolt - Hex HD 5/16-18 x 1-3/4	2	
72	R453009	01-166-0400, 24-10-BD, 24-9-AD, 32-9650, 3256-2, 3256-23, 3256-3, 3256-67, 3290-217, 3556-3, 4-2390, 7-0152	Washer - Flat 5/16 SAE	4	
73	R56-7971	56-7971	Clamp - Tube	4	

All original equipment manufacturers names and part numbers are used for identification purposes only, and we are in no way implying that our products are original equipment parts. Prices subject to change without notice.



Replaces Toro Reelmaster 3100-D Parts

Traction Unit - Model 03170

Front Wheel



Item No	R&R Part No.	OEM Part No.	Description	Qty Req	Order Quantity
74	R3296-29	1-804256, 3290-357, 3296-29, 915662P	Locknut - 5/16-18 ESNA	2	
75	R110-8786	110-8786, 95-8693	Hydraulic Motor - RH Wheel	1	
75	R110-8785	110-8785	Hydraulic Motor - LH Wheel	1	
76	R10-6830	10-6830, 75-9440	Stud - Wheel 1/2-20 x 1 3/4	8	
77	R104-0462-03	104-0462, 104-0462-03	Hub - Wheel - Front	2	
78	R3274-99	3274-99	Bolt - Hx Soc HD	8	
79	R237-65	237-65, 237.65	O-Ring	4	
81	R242-50	242-50	Nut - 1/2-20 Wheel	8	
82	R26-3790	26-3790	Nut - Hex - Wheel Motor 1-20	2	
83	R92-1715	100005, 92-1715	Spacer	8	
83	R119-8238	119-8238	Spacer - Deck Pulley	8	
84	R301504	2296-42, 301504, 32127-24, 32128-33, 32146-17, 3296-16, 3296-42, 3296-42 , 915661P	Locknut - ESNA 1/4-20	8	
85	R84-2000-03	84-2000, 84-2000-03, 84-2000-0P	Bracket - Brake	2	
86	R70-9870	70-9870	Plate - Backing	2	

All original equipment manufacturers names and part numbers are used for identification purposes only, and we are in no way implying that our products are original equipment parts. Prices subject to change without notice.



Replaces Toro Reelmaster 3100-D Parts

Traction Unit - Model 03170

Front Wheel



Item No	R&R Part No.	OEM Part No.	Description	Qty Req	Order Quantity
87	R321-5	321-31, 321-5	Bolt - Hex HD 1/4-20 x 7/8	8	
88	R70-9880	70-9880	Spring - Brake Shoe	4	
89	R70-9840	70-9840	Shoe - Brake	4	
90	R104-4809	104-4809	Drum - Brake	2	
91	R3274-105	3274-105	Screw - Button HD Soc Cap	8	
92	R104-7707	104-7707, 104-7708, 70-9850, 70-9860	Cam - Brake	2	
93	RF5003	32127-29, 32131-5, 32132-5, 3296-23	Locknut - ESNA 1/2-13	8	
94	R104-0485-03	104-0485-03, 104-0485-0P	Shield - Wheel	2	
95	R93-6850	114-2726, 93-6850	Lever - Brake	2	
96	R104-4627	104-4627	Rod - Adjusting	2	
97	R150513	104-7706	E - Clip - Brake Assy	1	
98	R1023-4	01-151-0150, 1023-4, 19-6220, 214-14, 215-54, 28-9-D, 3272-4, 3272-6, 513567, 932008P	Pin - Cotter 3/32 x 3/4	2	
99	R237-80	237-80, 327-80	O-Ring	4	

All original equipment manufacturers names and part numbers are used for identification purposes only, and we are in no way implying that our products are original equipment parts. Prices subject to change without notice.



Replaces Toro Reelmaster 3100-D Parts

Traction Unit - Model 03170

Front Wheel



Item No	R&R Part No.	OEM Part No.	Description	Qty Req	Order Quantity
100	R340-7	340-7	Adapter	4	
102	R3220-2	01-191-0524, 3220-2	Nut - Jam - 5/16-24	2	
103	R282-2	1-303105, 282-2	Yoke	2	
104	R283-1	283-1, 283-13	Pin - Clevis	2	
105	R3272-10	01-151-0120, 105-7512, 3272-10, N/A	Pin - Cotter 1/8 x 3/4	2	
106	R3234-11	3234-11	Bolt - Hex Washer HD	4	
107	R95-8683	95-8683	Bracket - Pivot	2	
108	R256-156	256-156, 256-219	Bushing - Flanged	2	
109	R104-4625-03	104-4625-03	Brake Pivot Shaft	1	
110	R3234-38	3234-38	Bolt - Flanged Hex 1/2-13 x 1-1/4	8	
111	R95-8568-03	95-8568, 95-8568-03	Frame - Lower	1	
112	R32128-43	30-8990, 32128-43, 3290-357	Nut - Flanged Whiz - 3/8-16	4	
113	R99-3375-03	99-3375, 99-3375-03	Step	1	
114	R3234-5	3234-5, 62-3310	Bolt - 5/16-18x3/4 Hx Ser Was HD	2	
115	R71-1500	104-7705, 71-1500	Brake Assy	2	
116	R115-6672	115-6672	Brake Lever Assy	2	

All original equipment manufacturers names and part numbers are used for identification purposes only, and we are in no way implying that our products are original equipment parts. Prices subject to change without notice.



Replaces Toro Reelmaster 3100-D Parts

Traction Unit - Model 03170

Front Wheel



Item No	R&R Part No.	OEM Part No.	Description	Qty Req	Order Quantity
118	R104-8301	104-8301, 104-9301, 109-6658, 133-7570	Locknut - 3/8-16 Nylon Flanged	4	

All original equipment manufacturers names and part numbers are used for identification purposes only, and we are in no way implying that our products are original equipment parts. Prices subject to change without notice.