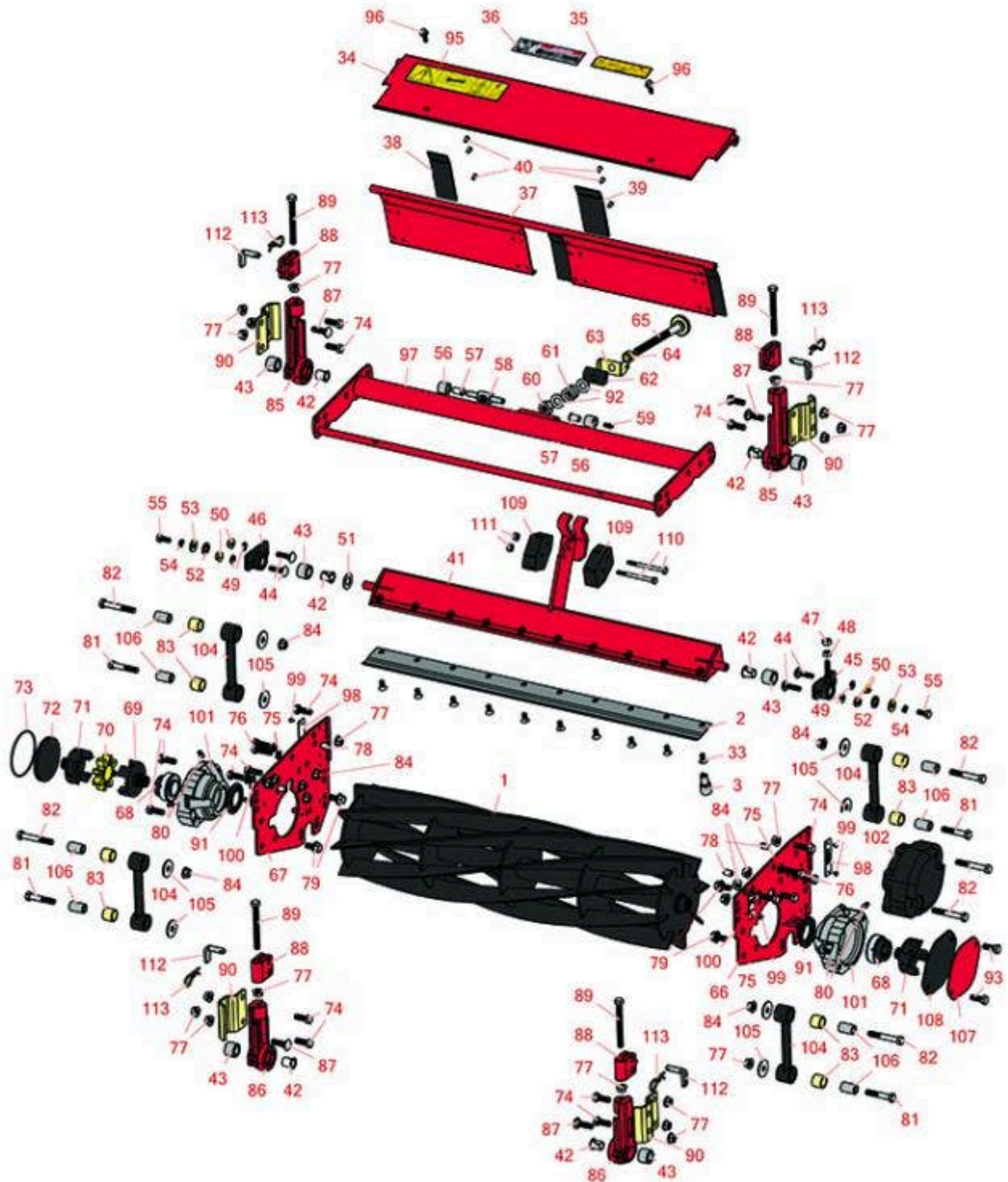




Replaces Toro Reelmaster 3100-D Parts

27in Cutting Unit - Models 03210, 03237 & 03239
Reel & Bedknife



All original equipment manufacturers names and part numbers are used for identification purposes only, and we are in no way implying that our products are original equipment parts. Prices subject to change without notice.



Replaces Toro Reelmaster 3100-D Parts

27in Cutting Unit - Models 03210, 03237 & 03239

Reel & Bedknife



Item No	R&R Part No.	OEM Part No.	Description	Qty Req	Order Quantity
R&R Reels, Lifetime Guaranteed					
1	R94-3631	93-8839, 94-3631, 99-3468, 99-3482	Reel - 5 Blade Fits 27x7	1	
1	R94-3630	93-8833, 94-3630, 99-3469, 99-3483	Reel - 8 Blade Fits 27x7	1	
1	R105-6768	105-6768	Reel - 11 Blade 27x7	1	
1	R94-5055	94-4987, 99-3470, 99-3484	Reel - 5 Blade 32x7	1	
1	R94-5054	94-4960, 99-3471, 99-3485	Reel - 8 Blade Fits 32x7	1	
1	R137-8483	137-8483	Reel - 8 Blade Razor Series Radial w/Bearings and Seals 32x7	1	
1	R137-8482	137-8482	Reel - 5 Blade Razor Series Radial w/Bearings and Seals 32x7	1	
1	R133-0193	133-0193	Reel - 5 Blade Razor Series Radial 32x7	1	
1	R115-8286	115-8286	Reel - 8 Blade 32x7	1	
<i>Tech Note: Includes R107-3275 & R107-3276 Threaded Insert:</i>					
1	R127-2105	127-2105	Reel - 8 Blade Radial 32x7	1	
<i>Tech Note: Includes R107-3275 & R107-3276 Threaded Insert:</i>					
1	R115-8278	115-8278	Reel - 11 Blade 27x7	1	
1	R127-2095	127-2095	Reel - 11 Blade Radial 27x7	1	
1	R127-2104	115-8282, 127-2104	Reel - 5 Blade Radial 32x7	1	

All original equipment manufacturers names and part numbers are used for identification purposes only, and we are in no way implying that our products are original equipment parts. Prices subject to change without notice.



Replaces Toro Reelmaster 3100-D Parts

27in Cutting Unit - Models 03210, 03237 & 03239

Reel & Bedknife



Item No	R&R Part No.	OEM Part No.	Description	Qty Req	Order Quantity
<i>Tech Note: Includes R107-3275 & R107-3276 Threaded Insert:</i>					
1	R115-8275	115-8275	Reel - 8 Blade 27x7	1	
1	R127-2094	127-2094	Reel - 8 Blade Radial 27x7	1	
1	R115-8270	115-8270	Reel - 5 Blade 27x7	1	
1	R127-2093	127-2093	Reel - 5 Blade Radial 27x7	1	
1	R137-8471	137-8471	Reel - 11 Blade Razor Series Radial w/Bearings and Seals 27x7	1	
1	R137-8470	137-8470	Reel - 8 Blade Razor Series Radial w/Bearings and Seals 27x7	1	
R&R Bedknives, Lifetime Guaranteed					
1	R133-8278	133-8278	Reel - 11 Blade Razor Series Radial 27x7	1	
1	R137-8469	137-8469	Reel - 5 Blade Razor Series Radial Low Drag w/Bearings and Seals 27x7	1	
1	R133-0184	133-0184	Reel - 8 Blade Razor Series Radial 27x7	1	
1	R133-0182	133-0182	Reel - 5 Blade Razor Series Radial 27x7	1	
2	R62-5180	105-6785, 61-0800, 62-5180	Bedknife - Lowcut - 27 in Unit	1	
2	R94-5079	104-1381, 94-4974, 94-5079	Bedknife - Lowcut - 32 in Unit	1	
2	R104-1380	104-1380	Bedknife - Highcut - 27 in Unit	1	
2	R114-9391	114-9391	Bedknife - 32 in Unit - Heavy Duty	1	
2	R114-9389	114-9389	Bedknife - 32 in Unit - Standard	1	
2	R114-9390	114-9390	Bedknife - 27 in Unit - Heavy Duty	1	

All original equipment manufacturers names and part numbers are used for identification purposes only, and we are in no way implying that our products are original equipment parts. Prices subject to change without notice.



Replaces Toro Reelmaster 3100-D Parts

27in Cutting Unit - Models 03210, 03237 & 03239
Reel & Bedknife



Item No	R&R Part No.	OEM Part No.	Description	Qty Req	Order Quantity
2	R114-9388	114-9388	Bedknife - 27 in Unit - Standard	1	

R&R Razor Tool Steel Bedknives, Lifetime Guaranteed

2	R150469		Bedknife - Razor Tool Steel - 27 x 1/2 Fairway	1	
2	R112-8956	112-8956	Bedknife - Razor Tool Steel - 32 x 3/8 Fairway	0	
2	R112-8910	112-8910	Bedknife - Razor Tool Steel - 27 High Cut	0	

Service Tools

3	R51-0880	51-0880	Bedknife Screw Driver Tool	0	
---	-----------------	---------	----------------------------	---	--

Other Parts Available

33	R150476	3-3816, 3-6462, 52-4910, 57-4910	Screw - Bedknife 5/16-18 x 5/8	10	
33	R150475	3-6462, 3-6642	Screw - Bedknife Stainless 5/16-18 x 5/8	10	

Tech Note: Pre-Packaged in bags of 50:

34	R94-3621	94-3621	Shield - Top Incl. Safety Decal 27 in	1	
34	R94-5053	94-5053	Shield - Top - Fits 32 in Units	1	
35	R93-6688	93-6688	Decal - Warning	1	
36	R67-7960	27-2890, 62-5070, 67-7960	Decal - Warning	1	
37	R93-8849	61-1130, 93-8817, 93-8849	Shield - Rear Grass Fits 27 in Units	1	
37	R94-4969	94-4969	Shield - Rear Grass 32 in Units	1	
38	R61-3280	61-3280	Cover - Rubber Side	2	

All original equipment manufacturers names and part numbers are used for identification purposes only, and we are in no way implying that our products are original equipment parts. Prices subject to change without notice.



Replaces Toro Reelmaster 3100-D Parts

27in Cutting Unit - Models 03210, 03237 & 03239
Reel & Bedknife



Item No	R&R Part No.	OEM Part No.	Description	Qty Req	Order Quantity
39	R61-3290	61-3290	Cover - Rubber Center	2	
40	R700382	700382	Rivet - Guard	12	
41	R95-8739	95-8739, 95-8739-01	Bed Bar - Fits 27 Units	1	
41	R95-8748	95-8748-01	Bed Bar - Fits 32 Units	1	
42	R56-9520	56-9520	Bushing - Nyliner	2	
43	R56-9510	56-9510	Bushing - Rubber For Bed Bar / RI	2	
44	R3230-2	01-173-0508, 25-25-AGD, 3230-16, 3230-2, 513624, 513633, 513635, 900038P	Bolt - Carriage	4	
45	R16-9769	16-9769	Housing - Bed Bar - Adj. Side	1	
46	R14-4459	14-4459	Housing - w/Bushing For Bed Bar	1	
47	R444754	01-189-0518, 3296-4	Locknut - 5/16-24 Center	1	
48	R3219-2	01-188-0524, 22-12-BJKD, 3219-2, 915720	Nut - 5/16-24 Zinc	1	
49	R3256-74	3256-74	Washer - Flat	4	
50	R104-8300	104-8300, 104-8300 , 119-4041	Locknut - 5/16-18 Flanged Y/Zinc	4	
51	R61-1950	61-1950	Washer - Nylon - Bed Bar	1	
52	R62-7120	62-7120	Washer	1	

All original equipment manufacturers names and part numbers are used for identification purposes only, and we are in no way implying that our products are original equipment parts. Prices subject to change without notice.



Replaces Toro Reelmaster 3100-D Parts

27in Cutting Unit - Models 03210, 03237 & 03239
Reel & Bedknife



Item No	R&R Part No.	OEM Part No.	Description	Qty Req	Order Quantity
53	R3256-56	3256-56, 60-4750	Washer	1	
54	R3253-4	01-166-0110, 01-166-0510, 23-10-GD, 24-7170, 30-8520, 3253-4, 42-9850, 48-9350, 48-9360, 48-9570, 68-9420, 99-7577	Washer - Lock 5/16 Zinc	1	
55	R322-3	01-150-1420, 01-178-0506, 20-24-AD, 20-24-AGD, 322-3, 48-9270, 513339, 908017P	Bolt - Hex HD 5/16-18 x 3/4	1	
56	R62-5510	52-2870, 62-5510	Bushing	2	
57	R52-2890	52-2890	Bushing - Flanged	2	
58	R57-5260	107-7409, 57-5260	Pivot - 1/2-20 - Bed Bar	1	
59	R302-18	302-18	Zerk - Grease Press Style	1	
60	R3296-62	3296-62	Locknut - 1/2-20 LH Jam	1	
61	R57-5270	57-5270	Spring - Adjusting Handle	1	
62	R93-2892	93-2892	Pivot - Plastic - Bed Bar	1	
63	R95-8752	93-9767, 95-8752	Arm - Spring	1	
64	R93-2959	93-2959	Spacer - Bed Bar Assy	1	

All original equipment manufacturers names and part numbers are used for identification purposes only, and we are in no way implying that our products are original equipment parts. Prices subject to change without notice.



Replaces Toro Reelmaster 3100-D Parts

27in Cutting Unit - Models 03210, 03237 & 03239

Reel & Bedknife



Item No	R&R Part No.	OEM Part No.	Description	Qty Req	Order Quantity
65	R95-8877	106-7536, 93-2957, 95-2762, 95-8877	Handle - Bed Bar Adjustment	1	
66	R94-3697-01	94-3697, 94-3697-01	Plate - Side Reel LH	1	
67	R94-3695-01	94-3695, 94-3695-01	Plate - Side Reel RH	1	
68	R100-4926	100-4926	Bearing - Reel Self Aligning	2	
69	R93-8825	93-8825	Coupling - RH Reel	1	
70	R93-8827	93-8827	Spider - Reel Coupling	1	
71	R93-8826	93-8826	Coupling - LH Reel	1	
72	R94-2703	94-2703	Plug - Plastic Spindle Housing	1	
73	R353-949	353-949, 60-3520	O-Ring	2	
74	R323-6	01-150-0010, 01-178-0608, 20-47-AD, 20-47-AGD, 3224-2, 323-6, 49-3510, 908034P, 908332	Bolt - Hex HD 3/8-16 x 1 GR5 YZ	10	
75	R3254-6	01-166-0010, 01-166-0280, 01-166-0610, 3253-5, 3254-18, 3254-6, 3290-223, 48-9370	Washer - Lock 3/8	4	

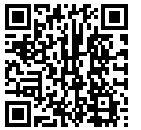
All original equipment manufacturers names and part numbers are used for identification purposes only, and we are in no way implying that our products are original equipment parts. Prices subject to change without notice.



Replaces Toro Reelmaster 3100-D Parts

27in Cutting Unit - Models 03210, 03237 & 03239

Reel & Bedknife



Item No	R&R Part No.	OEM Part No.	Description	Qty Req	Order Quantity
76	R400264	01-150-0180, 01-178-0610, 20-48-AD, 20-48-AGD, 32-9160, 3224-3, 323-29, 323-7, 400264, 908035P	Bolt - Hex HD 3/8-16 x 1-1/4	2	
77	R3296-39	32127-25, 32128-36, 3290-357, 3296-17, 3296-22, 3296-39, 915663P, 99-7443	Locknut - 3/8-16 Nylon	6	
78	R32121-36	32121-36	Pin-Spring	4	
79	R110-1718	110-1718	Screw-HHF	4	
80	R302-5	21-6010, 302-11, 302-37, 302-47, 302-5, 302-57, 302-58, 302-6, 31-0300, 32-9660, 60-0800, 62-3880, 92-4181	Fitting - Grease	4	

All original equipment manufacturers names and part numbers are used for identification purposes only, and we are in no way implying that our products are original equipment parts. Prices subject to change without notice.



Replaces Toro Reelmaster 3100-D Parts

27in Cutting Unit - Models 03210, 03237 & 03239

Reel & Bedknife



Item No	R&R Part No.	OEM Part No.	Description	Qty Req	Order Quantity
81	R323-10	01-150-0680, 01-178-0616, 100-6663, 100-8320, 1489, 20-51-AD, 20-51-AGD, 3224-6, 323-10, 323-35, 908336	Bolt - Hex HD 3/8-16 x 2	4	
82	R101526	01-150-0970, 01-178-0620, 101526, 20-53-AGD, 321-11, 3224-8, 323-11, 323-12, 323-31, 323-4, 323-47	Bolt - Hex HD 3/8-16 x 2-1/2 GR5	6	
83	R94-8945	94-8945	Bushing - Bronze - Link Bar	2	
84	R32128-19	104-8301, 104-9301, 32128-19	Locknut - 3/8-16 Flanged Top Lock	8	
85	R14-4479	14-4479	Bracket - Assy - Rear Roller	2	
86	R14-4489	14-4489	Bracket - Assy - Front Roller	2	
87	R3231-25	01-173-0610, 30-9970, 3231-25, 3231-3, 900064P	Bolt - Carriage 3/8-16 x 1-1/4	4	
88	R61-0420	61-0420, 61-0420-01	Support - HOC	4	
89	R61-0790	323-57, 61-0790	Bolt - Roller Adjustment	4	

All original equipment manufacturers names and part numbers are used for identification purposes only, and we are in no way implying that our products are original equipment parts. Prices subject to change without notice.



Replaces Toro Reelmaster 3100-D Parts

27in Cutting Unit - Models 03210, 03237 & 03239
Reel & Bedknife



Item No	R&R Part No.	OEM Part No.	Description	Qty Req	Order Quantity
90	R61-0910	61-0910	Bracket	4	
91	R105-6761	105-6761	Seal	2	
92	R29-8910-01	29-8910	Washer - Flat 1/2	2	
93	R323-2	01-178-0604, 323-2	Bolt - Hex HD 3/8-16 x 1	2	
95	R93-8064	93-8064	Decal - Warning	1	
96	R32144-10	32140-81, 32144-10, 32144-3, 34-140-AMVD	Bolt - 1/4-20 x 3/4 Serrated Hx Wshr	2	
97	R95-8753-01	95-8753, 95-8753-01	Reel Frame - 27 in	1	
97	R95-8755-01	95-8755, 95-8755-01	Reel Frame - 32 in	1	
98	R61-3800	61-3800	Plate - HOC Rear	2	
99	R3290-55	3290-50, 3290-55	Rivet - 5/32 x 3/8 Pop Rivet	8	
100	R61-3790	61-3790	Plate-HOC, Front	2	
101	R99-3404	93-6930, 99-3404	Housing-Bearing	2	
102	R105-0171-03	105-0171-03	Weight-End	1	
104	R16-9759	16-9759	Link Assy	4	
105	R93-8806	93-8806	Washer-Hardened	16	
106	R93-6981	93-6981	Spacer	8	
107	R93-6960	93-6960	Cover - Bearing Holder	1	
108	R94-5979	94-5979	Gasket	1	

All original equipment manufacturers names and part numbers are used for identification purposes only, and we are in no way implying that our products are original equipment parts. Prices subject to change without notice.



Replaces Toro Reelmaster 3100-D Parts

27in Cutting Unit - Models 03210, 03237 & 03239

Reel & Bedknife



Item No	R&R Part No.	OEM Part No.	Description	Qty Req	Order Quantity
109	R99-3472	99-3472	Weight	2	
110	R321-23	321-23	Bolt - Hx HD 1/4-20 x 3	0	
110	R400124	01-178-0420, 20-11-AD, 321-15	Bolt - Hex HD 1/4-20 x 2-1/2 GR5	2	
111	R301504	2296-42, 301504, 32127-24, 32128-33, 32146-17, 3296-16, 3296-42, 3296-42 , 915661P	Locknut - ESNA 1/4-20	2	
112	R71-3690	61-0630, 71-3690	Spade - Bent	4	
113	R3290-467	3290-467	Pin-Hair	4	

All original equipment manufacturers names and part numbers are used for identification purposes only, and we are in no way implying that our products are original equipment parts. Prices subject to change without notice.