

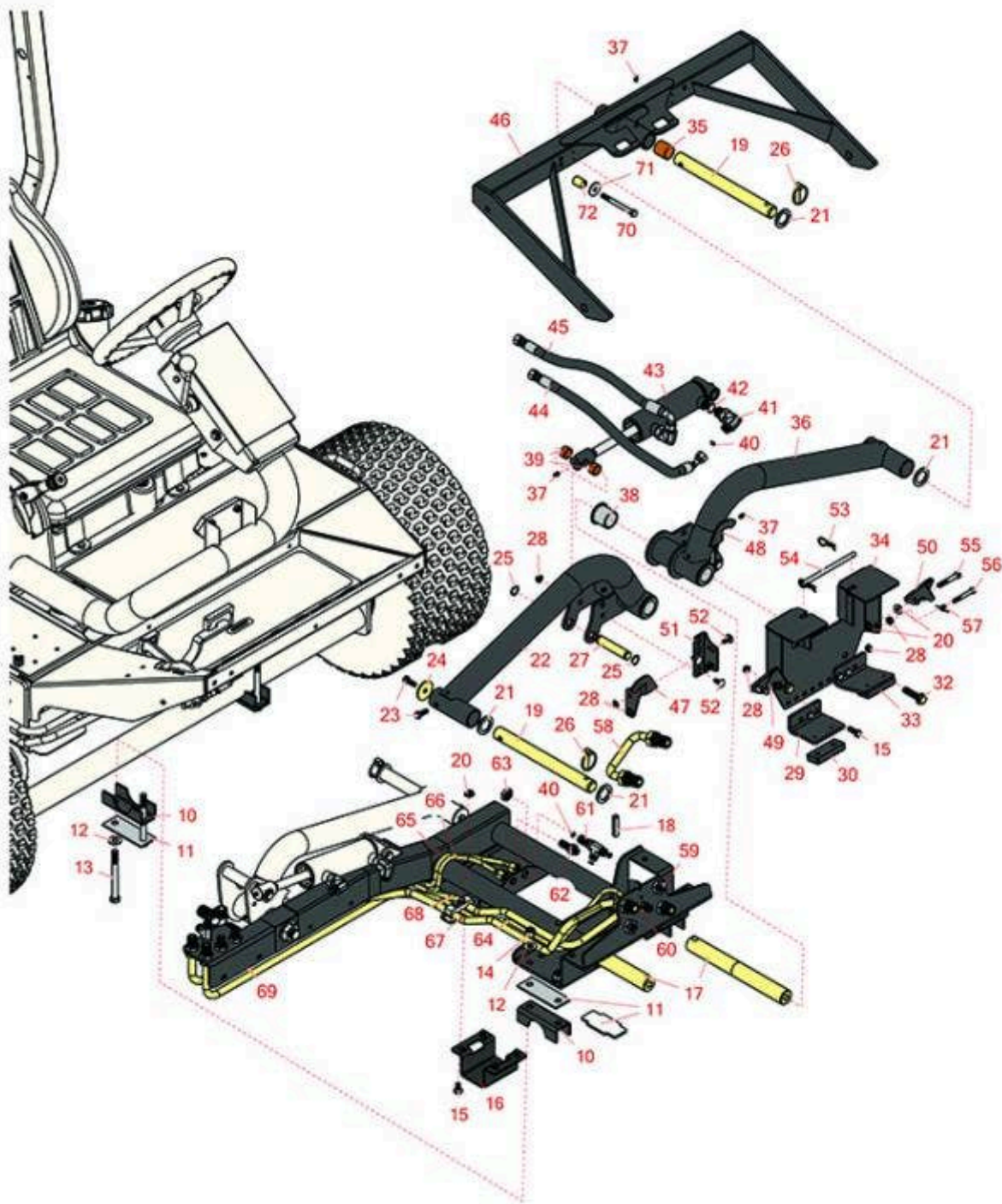


Replaces Toro Groundsmaster 3500-G

Parts

Traction Unit - Model 30809

Carrier Frame



All original equipment manufacturers names and part numbers are used for identification purposes only, and we are in no way implying that our products are original equipment parts. Prices subject to change without notice.



Replaces Toro Groundsmaster 3500-G Parts

Traction Unit - Model 30809
Carrier Frame



| Item No | R&R Part No. | OEM Part No. | Description | Qty Req | Order Quantity |
|---|---------------------|--|------------------------------------|---------|----------------|
| 10 | R95-8884 | 95-8884 | Clamp | 4 | |
| <i>Tech Note: Fits Models 30826/30849 Only:</i> | | | | | |
| 11 | R99-3373 | 99-3373 | Bar - Support - Slide | 4 | |
| 11 | R104-0417 | 104-0417 | Slide - Plastic | 4 | |
| 12 | R87-7270-01 | 87-7270, 87-7270-01 | Washer - Flat 1/2 | 8 | |
| 13 | R325-19 | 01-150-1450, 01-158-1260, 01-178-0840, 20-99-AGD, 325-19 | Bolt - Hex HD 1/2-13 x 5 | 4 | |
| 14 | RF5003 | 32127-29, 32131-5, 32132-5, 3296-23 | Locknut - ESNA 1/2-13 | 4 | |
| 15 | R3234-11 | 3234-11 | Bolt - Hex Washer HD | 4 | |
| 16 | R95-8904-03 | 95-8904-03 | Bracket - Clamp | 1 | |
| <i>Tech Note: Fits Models 30826/30849 Only:</i> | | | | | |
| 16 | R104-0416-03 | 104-0416-03 | Bracket - Slide | 1 | |
| 17 | R95-8531 | 95-8531 | Pivot Shaft | 2 | |
| 18 | R32121-122 | 01-153-0140, 32121-122 | Pin - Roll 1/2 x 2 | 2 | |
| 19 | R95-8979 | 95-8979 | Shaft - Pivot - 11.687 in Hardened | 2 | |
| 19 | R100-4944 | 100-4944 | Shaft - Pivot - 10.4 in Hardened | 2 | |
| 20 | R32128-43 | 30-8990, 32128-43, 3290-357 | Nut - Flanged Whiz - 3/8-16 | 4 | |

All original equipment manufacturers names and part numbers are used for identification purposes only, and we are in no way implying that our products are original equipment parts. Prices subject to change without notice.



Replaces Toro Groundsmaster 3500-G Parts

Traction Unit - Model 30809
Carrier Frame



| Item No | R&R Part No. | OEM Part No. | Description | Qty Req | Order Quantity |
|---|---------------------|--|---------------------------------|---------|----------------|
| 21 | R3-6781 | 3-6781 | Washer - Thrust - Castor Wheel | 4 | |
| 22 | R115-3462 | 115-3462 | Liftarm Assy- 68 in RH | 1 | |
| <i>Tech Note: Fits Models 30839/30807/30843/30809 Only:</i> | | | | | |
| 22 | R115-3466 | 115-3466, 95-8553, 95-8553-01 | Lift Arm Assy - Short RH | 1 | |
| 23 | R323-6 | 01-150-0010, 01-178-0608, 20-47-AD, 20-47-AGD, 3224-2, 323-6, 49-3510, 908034P, 908332 | Bolt - Hex HD 3/8-16 x 1 GR5 YZ | 4 | |
| 24 | R63-7400 | 63-7400 | Washer - Rebound | 2 | |
| 25 | R32120-93 | 32120-93 | Snap Ring - HD | 4 | |
| 26 | R283-71 | 283-71 | Pin - Lynch Heavy Duty | 2 | |
| 27 | R95-8575 | 95-8575 | Pin | 2 | |
| 28 | R32128-44 | 32128-44 | Nut | 4 | |
| 29 | R110-8793-03 | 110-8793-03 | Stop-Deck, RH | 1 | |
| 30 | R86-5350 | 86-5350 | Bumper - Rubber | 2 | |
| 32 | R3234-27 | 3234-27 | Bolt - 1/2-13 x 2 Hex | 2 | |
| 33 | R110-8794-03 | 110-8794-03 | Stop - Deck - LH | 1 | |
| 34 | R104-4820-03 | 104-4820-03 | Bracket- Stop - Carrier | 1 | |
| 35 | R108-4000 | 108-4000 | Bushing | 4 | |
| 36 | R115-3461 | 104-0482, 115-3461 | Liftarm Assy- 68 in LH | 1 | |

All original equipment manufacturers names and part numbers are used for identification purposes only, and we are in no way implying that our products are original equipment parts. Prices subject to change without notice.



Replaces Toro Groundsmaster 3500-G Parts

Traction Unit - Model 30809
Carrier Frame



| Item No | R&R Part No. | OEM Part No. | Description | Qty Req | Order Quantity |
|---|---------------------|--|--------------------------|---------|----------------|
| <i>Tech Note: Fits Models 30839/30807/30843/30809 Only:</i> | | | | | |
| 36 | R115-3465 | 115-3465, 95-8554, 95-8554-01 | Lift Arm Assy - Short LH | 1 | |
| 37 | R302-5 | 21-6010, 302-11, 302-37, 302-47, 302-5, 302-57, 302-58, 302-6, 31-0300, 32-9660, 60-0800, 62-3880, 92-4181 | Fitting - Grease | 4 | |
| 38 | R69-6470 | 69-6470 | Bushing - Flanged | 4 | |
| 39 | R75-9590 | 75-9590 | Spacer - Cylinder | 2 | |
| 40 | R237-22 | 107-8844, 237-22, 237-78 | O-Ring | 2 | |
| 41 | R340-77 | 340-100, 340-77, 95-7889 | Hydraulic Fitting | 2 | |
| 42 | R237-42 | 237-42, 31-4160 | O-Ring | 2 | |
| 43 | R112-9916 | 108-9033, 112-9916 | Hydraulic Cylinder | 1 | |
| 44 | R104-0405 | 104-0405 | Hydraulic Hose Assy | 1 | |
| 45 | R104-0406 | 104-0406 | Hydraulic Hose Assy | 1 | |
| 46 | R110-8787 | 110-8787 | Carrier Frame - Front | 1 | |
| 47 | R104-4826-03 | 104-4826-03 | Actuator - RH | 1 | |

All original equipment manufacturers names and part numbers are used for identification purposes only, and we are in no way implying that our products are original equipment parts. Prices subject to change without notice.



Replaces Toro Groundsmaster 3500-G Parts

*Traction Unit - Model 30809
Carrier Frame*



| Item No | R&R Part No. | OEM Part No. | Description | Qty Req | Order Quantity |
|---------|---------------------|--|-------------------------------|---------|----------------|
| 48 | R104-4827-03 | 104-4827-03 | Actuator - LH | 1 | |
| 49 | R104-4825-03 | 104-4825-03 | Bracket- Pivot - RH | 1 | |
| 50 | R104-4819-03 | 104-4819-03 | Bracket- Pivot - LH | 1 | |
| 51 | R104-4828-03 | 104-4828-03 | Bracket - Actuator | 2 | |
| 52 | R3230-23 | 3230-23, Mar-61 | Bolt - 5/16-18x3/4 - Carriage | 8 | |
| 53 | R3290-467 | 3290-467 | Pin-Hair | 2 | |
| 54 | R104-0472 | 104-0472 | Rod | 1 | |
| 55 | R323-11 | 01-150-1440, 01-178-0618, 20-52-AD, 3224-7, 323-11 | Bolt - 3/8-16 x 2 1/4 GR5 | 2 | |
| 56 | R322-11 | 01-150-0390, 01-178-0518, 20-31-AD, 322-11, 3223-7 | Bolt - 5/16-18 x 2 1/4 Hx HD | 2 | |
| 57 | R104-4821 | 104-4821 | Spring - Torsion - Seat Base | 2 | |
| 58 | R99-3640 | 99-3640 | Tube Assy | 1 | |
| 59 | R340-74 | 340-74 | Locknut - Bulkhead | 4 | |
| 60 | R340-78 | 340-78 | Nut - Lock Bulkhead | 1 | |
| 61 | R340-68 | 340-120, 340-68 | Fitting - Tee - Bulkhead | 1 | |
| 62 | R340-71 | 340-71 | Fitting - Straight | 1 | |
| 63 | R340-70 | 340-70 | Nut - Lock | 1 | |
| 64 | R104-0404 | 104-0404 | Tube Assy | 1 | |

All original equipment manufacturers names and part numbers are used for identification purposes only, and we are in no way implying that our products are original equipment parts. Prices subject to change without notice.



Replaces Toro Groundsmaster 3500-G Parts

*Traction Unit - Model 30809
Carrier Frame*



| Item No | R&R Part No. | OEM Part No. | Description | Qty Req | Order Quantity |
|---------|---------------------|------------------------|-----------------------------|---------|----------------|
| 65 | R104-0402 | 104-0402 | Tube Assy | 1 | |
| 66 | R104-0403 | 104-0403 | Tube Assy | 1 | |
| 67 | R104-0401 | 104-0401 | Tube Assy | 1 | |
| 68 | R104-0400 | 104-0400 | Tube Assy | 1 | |
| 69 | R100-4939-03 | 100-4939-03 | Carrier Assy | 1 | |
| 70 | R323-42 | 01-178-0630, 323-42 | Bolt - Hx HD 3/8-16 x 3 3/4 | 1 | |
| 71 | R93-8806 | 93-8806 | Washer-Hardened | 1 | |
| 72 | R104-4613 | 104-4613 | Tube - Latch | 1 | |

All original equipment manufacturers names and part numbers are used for identification purposes only, and we are in no way implying that our products are original equipment parts. Prices subject to change without notice.