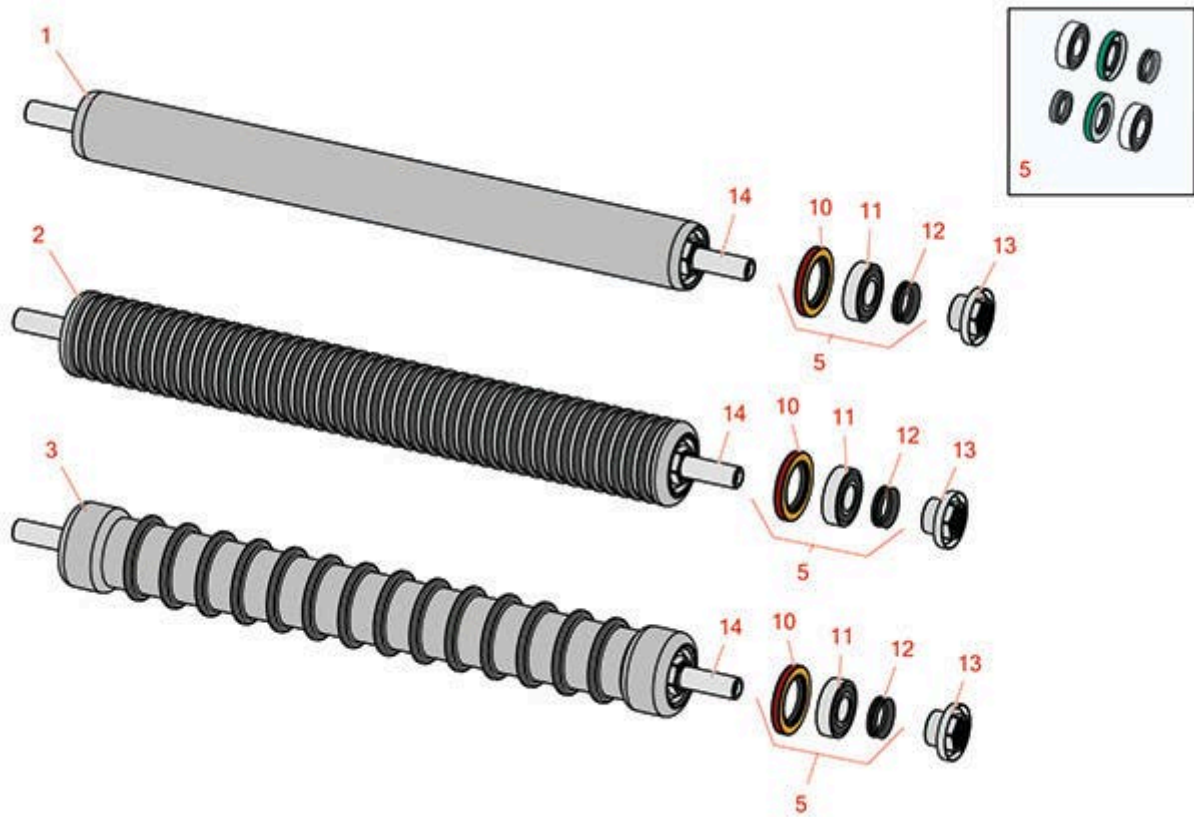




# Replaces Toro Greensmaster Flex 1800

## Parts

DPA Cutting Unit - Model 04253 & 04254  
Rollers



All original equipment manufacturers names and part numbers are used for identification purposes only, and we are in no way implying that our products are original equipment parts. Prices subject to change without notice.



# Replaces Toro Greensmaster Flex 1800 Parts



DPA Cutting Unit - Model 04253 & 04254  
Rollers

Item No	R&R Part No.	OEM Part No.	Description	Qty Req	Order Quantity
---------	--------------	--------------	-------------	---------	----------------

## Rollers

1	<b>R120-9606</b>	110-2303, 120-9605, 120-9606	Roller - Smooth Aluminum 2x18	1	
2	<b>R120-9607</b>	110-2304, 120-9607	Roller - Narrow Grooved Machined Aluminum	1	
3	<b>R120-9609</b>	120-9609	Roller - Wide Grooved Aluminum - 2.5x18	1	

## Overhaul Kits & Service Tools

5	<b>R107-1594</b>	107-1594	Overhaul Kit - Roller	1	
---	------------------	----------	-----------------------	---	--

*Tech Note: Includes 2 ea.: R106-6941 Seals, R106-6942 V-Rings & R251-347 Bearings:*

## Other Parts Available

10	<b>R106-6941</b>	106-6941	Seal - Double Lip	2	
11	<b>R251-347</b>	251-347, 72-5690	Bearing - Ball	2	
12	<b>R106-6942</b>	106-6942	V-Ring - Roller	2	
13	<b>R108-3151</b>	106-6939, 108-3151	Locknut - Roller - Stainless	2	
14	<b>R119-4079</b>	119-4079	Shaft- Roller	1	

All original equipment manufacturers names and part numbers are used for identification purposes only, and we are in no way implying that our products are original equipment parts. Prices subject to change without notice.