

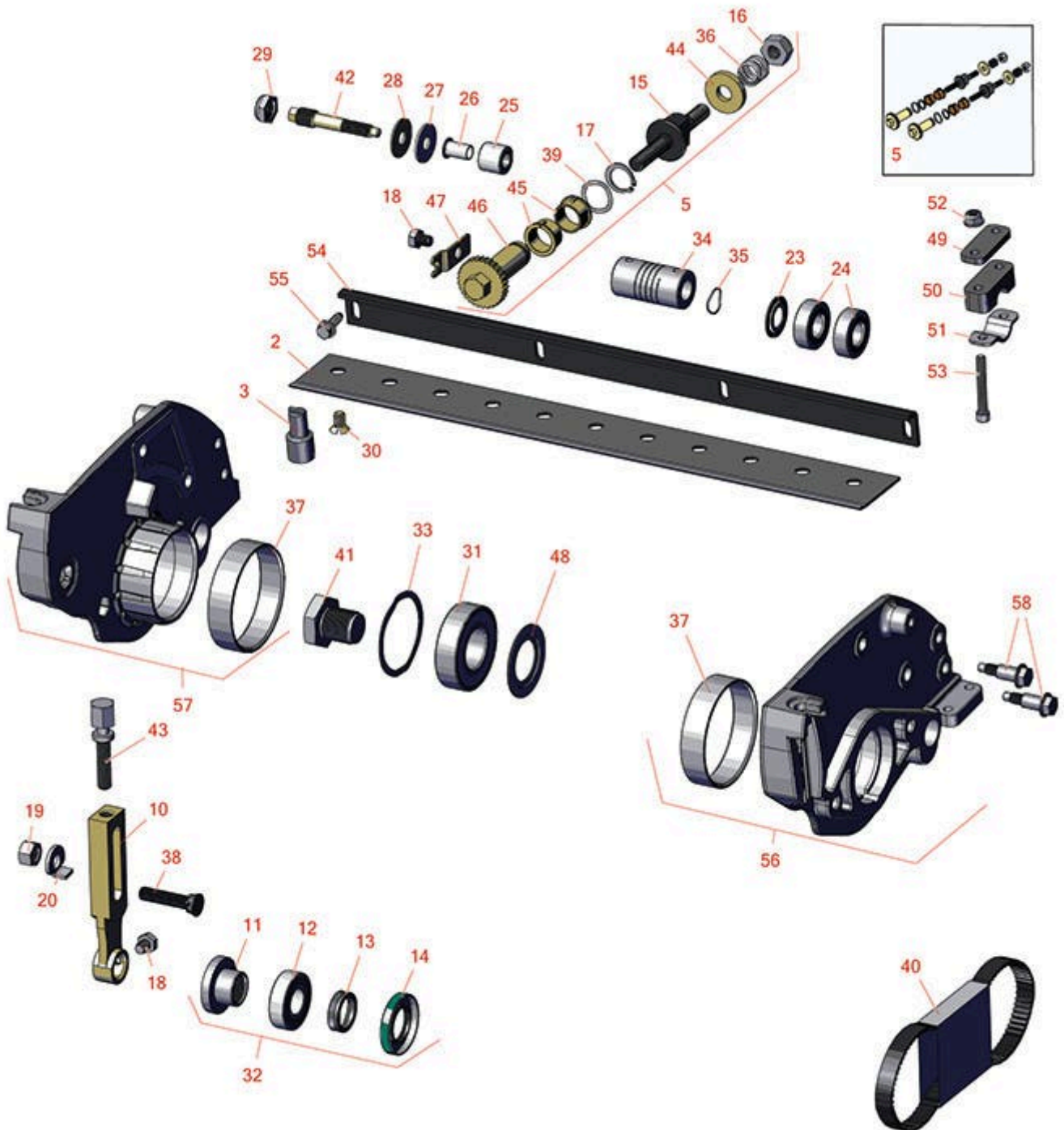


Replaces Toro Greensmaster Flex 1800

Parts

DPA Cutting Unit - Model 04253 & 04254

Reel & Bedknife



All original equipment manufacturers names and part numbers are used for identification purposes only, and we are in no way implying that our products are original equipment parts. Prices subject to change without notice.



Replaces Toro Greensmaster Flex 1800 Parts

DPA Cutting Unit - Model 04253 & 04254
Reel & Bedknife



Item No	R&R Part No.	OEM Part No.	Description	Qty Req	Order Quantity
Overhaul kit					
5	R121-2637	121-2637	Overhaul Kit - DPA Adjusters	1	
R&R Bedknives, Lifetime Guaranteed					
2	R98-7260	98-7260, 98-7260-05	Bedknife - Tournament .125 - .500 HOC	1	
2	R98-7261	98-7261	Bedknife - Micro Cut .062 - .187 HOC	1	
2	R110-2301	110-2301	Bedknife - Low Cut .187 - 1.00 HOC	1	
2	R110-2300	110-2300	Bedknife - Micro Cut Extended .062 - .187 HOC	1	
R&R Razor Tool Steel Bedknives					
2	R117-1530	117-1530	Bedknife - Razor Tool Steel - 18 Micro Cut .062 - .187 HOC	1	
2	R117-1532	117-1532	Bedknife - Razor Tool Steel - Tournament .125 - .500 HOC	1	
Service Tools					
3	R51-0880	51-0880	Bedknife Screw Driver Tool	0	
Other Parts Available					
10	R115-7041	115-7041	Bracket - Front Roller 5 1/4 in	2	
11	R108-3151	106-6939, 108-3151	Locknut - Roller - Stainless	2	
12	R251-347	251-347, 72-5690	Bearing - Ball	2	
13	R106-6942	106-6942	V-Ring - Roller	2	
14	R106-6941	106-6941	Seal - Double Lip	2	
15	R115-7039	115-7039	Screw - Adjuster - Bedbar	2	

All original equipment manufacturers names and part numbers are used for identification purposes only, and we are in no way implying that our products are original equipment parts. Prices subject to change without notice.



Replaces Toro Greensmaster Flex 1800 Parts



DPA Cutting Unit - Model 04253 & 04254
Reel & Bedknife

Item No	R&R Part No.	OEM Part No.	Description	Qty Req	Order Quantity
16	R3296-48	119-4039, 32146-7, 3296-34, 3296-48	Locknut - 7/16-14 ESNA	2	
17	R32120-93	32120-93	Snap Ring - HD	2	
18	R114-9396	114-9396, 119-4067	Bolt - Hex HD 5/16-18 x 3/8	4	
19	R115-7193	115-7193	Nut-HOC	2	
20	R104-2603	104-2603, 119-4158	Washer - HOC Bracket	2	
23	R115-6923	115-6923	Shield - Bearing - Flocked	1	
24	R115-6869	115-6869	Bearing - Ball -Stainless	2	
25	R119-4153	119-4153	Bushing - Rubber	2	
26	R52-2890	52-2890	Bushing - Flanged	2	
27	R52-2900	52-2900	Washer - Nylon	4	
28	R52-2860	119-4150, 52-2860	Washer - Bed Bar Pivot	4	
29	R3296-28	119-4154, 140-9234, 32127-34, 32128-7, 32128-8, 32136-7, 3296-28	Nut - 1/2-20 ESNA Jam	2	
30	R119-4151	119-4151	Screw - Bedknife 5/16-18 x 17/32	11	
31	R115-3296	115-3296	Bearing	2	
32	R107-1594	107-1594	Overhaul Kit - Roller	1	

Tech Note: Includes 2 ea.: R106-6941 Seals, R106-6942 V-Rings & R251-347 Bearings:

All original equipment manufacturers names and part numbers are used for identification purposes only, and we are in no way implying that our products are original equipment parts. Prices subject to change without notice.



Replaces Toro Greensmaster Flex 1800 Parts

*DPA Cutting Unit - Model 04253 & 04254
Reel & Bedknife*



Item No	R&R Part No.	OEM Part No.	Description	Qty Req	Order Quantity
33	R105-5700	105-5700, 115-5258	Wave Washer - Bearing	1	
34	R115-6867	115-6867	Coupling - Flex	1	
35	R115-7143	115-7143	Spring - Wave	1	
36	R119-4156	119-4156	Spring - Compression	2	
37	R117-6619	117-6619	Bushing	2	
38	R99-3773	99-3773	Bolt- Plow 3/8-16 x 1 3/4	2	
39	R119-4164	119-4164	Washer - Wave	2	
40	R99-2022	99-2022	Belt - Reel Drive	1	
41	R115-7263	115-7263	Bolt - Bearing Lock	1	
42	R117-9493	117-9493	Bolt - Bed Bar - Hardened	2	
43	R110-7352	110-7352	Screw - HOC 2 5/8 Stainless	2	
44	R119-4155	119-4155	Washer - Hardened	2	
45	R106-5344	106-5344	Bushing - Flanged and Keyed	4	
46	R106-5363	106-5363	Shaft - Adjusting - Bed Bar - Stainless	2	
47	R99-2097	99-2097	Detent - Bed Bar Adjuster	2	
48	R115-3299	115-3299	Seal- Flocked	2	
49	R105-5711	105-5711, 119-4165	Shim - Roller	6	
50	R105-5710	105-5710, 119-4166	Spacer - Roller	2	
51	R105-5712	105-5712, 119-4157	Retainer - Roller	2	
52	R119-4040	119-4040	Nut - 1/4-20 Fl Locknut	4	

All original equipment manufacturers names and part numbers are used for identification purposes only, and we are in no way implying that our products are original equipment parts. Prices subject to change without notice.



Replaces Toro Greensmaster Flex 1800 Parts

*DPA Cutting Unit - Model 04253 & 04254
Reel & Bedknife*



Item No	R&R Part No.	OEM Part No.	Description	Qty Req	Order Quantity
53	R119-4035	119-4035	Bolt - 1/4-20 x 1 3/4 Soc HD Cap Scr	4	
54	R119-4066-03	119-4066-03	Cutoff Bar	1	
55	R131-6150	131-6150	Screw- 1/4-20 x 3/4 Hx Wh Thread Forming	4	
56	R119-4005	119-4005	Side Plate Assy-LH Incl R117-6619	1	
57	R119-4007	119-4007	Side Plate Assy-RH Incl R117-6619	1	
58	R115-7042	115-7042	Bolt-Shoulder, Flange	4	

All original equipment manufacturers names and part numbers are used for identification purposes only, and we are in no way implying that our products are original equipment parts. Prices subject to change without notice.