

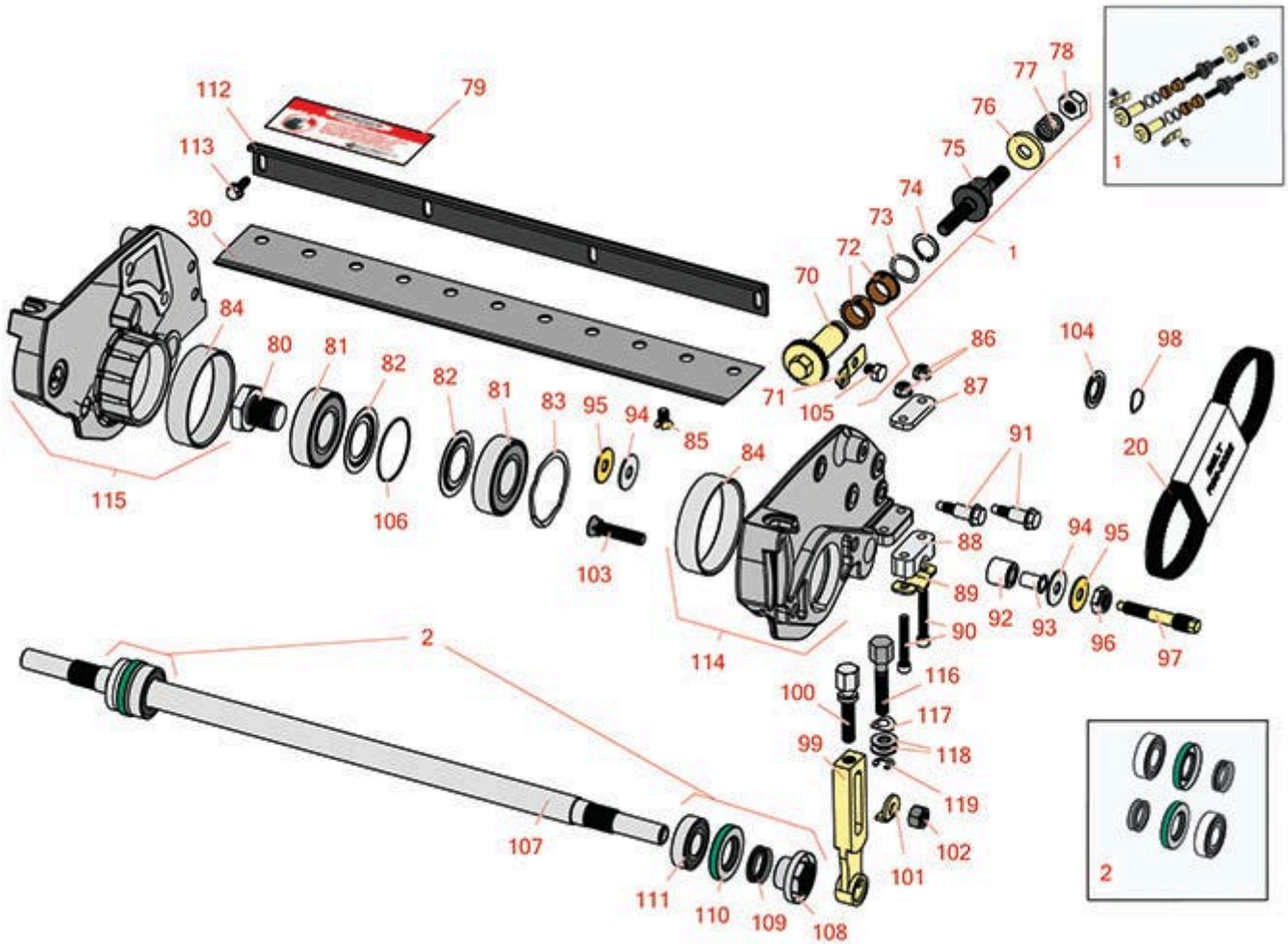


Replaces Toro Greensmaster eFlex 1820

Parts

DPA Cutting Unit - Models 04289 & 04291

Reel & Bedknife



All original equipment manufacturers names and part numbers are used for identification purposes only, and we are in no way implying that our products are original equipment parts. Prices subject to change without notice.



Replaces Toro Greensmaster eFlex 1820 Parts

DPA Cutting Unit - Models 04289 & 04291
Reel & Bedknife



Item No	R&R Part No.	OEM Part No.	Description	Qty Req	Order Quantity
Overhaul Kit					
1	R121-2637	121-2637	Overhaul Kit - DPA Adjusters	1	
2	R107-1594	107-1594	Overhaul Kit - Roller	1	
<i>Tech Note: Includes 2 ea.: R106-6941 Seals, R106-6942 V-Rings & R251-347 Bearings:</i>					
Belts					
20	R99-2022	99-2022	Belt - Reel Drive	1	
R&R Bedknife, Lifetime Guaranteed					
30	R110-2300	110-2300	Bedknife - Micro Cut Extended .062 - .187 HOC	1	
30	R110-2301	110-2301	Bedknife - Low Cut .187 - 1.00 HOC	1	
30	R98-7260	98-7260, 98-7260-05	Bedknife - Tournament .125 - .500 HOC	1	
30	R98-7261	98-7261	Bedknife - Micro Cut .062 - .187 HOC	1	
R&R Razer Tool Steel Bedknives, Lifetime Guaranteed					
30	R117-1530	117-1530	Bedknife - Razor Tool Steel - 18 Micro Cut .062 - .187 HOC	1	
30	R117-1532	117-1532	Bedknife - Razor Tool Steel - Tournament .125 - .500 HOC	1	
Other Parts Available					
70	R106-5363	106-5363	Shaft - Adjusting - Bed Bar - Stainless	2	
71	R99-2097	99-2097	Detent - Bed Bar Adjuster	2	
72	R106-5344	106-5344	Bushing - Flanged and Keyed	4	
73	R119-4164	119-4164	Washer - Wave	2	
74	R32120-93	32120-93	Snap Ring - HD	2	

All original equipment manufacturers names and part numbers are used for identification purposes only, and we are in no way implying that our products are original equipment parts. Prices subject to change without notice.



Replaces Toro Greensmaster eFlex 1820 Parts

DPA Cutting Unit - Models 04289 & 04291
Reel & Bedknife



Item No	R&R Part No.	OEM Part No.	Description	Qty Req	Order Quantity
75	R115-7039	115-7039	Screw - Adjuster - Bedbar	2	
<i>Tech Note: Ser# 316000001-405599999:</i>					
76	R137-6130	137-6130	Screw - Adjuster - Hardened - Bedbar	2	
<i>Tech Note: Ser# 405600000-999999999:</i>					
76	R119-4155	119-4155	Washer - Hardened	2	
77	R119-4156	119-4156	Spring - Compression	2	
78	R3296-48	119-4039, 32146-7, 3296-34, 3296-48	Locknut - 7/16-14 ESNA	2	
79	R354083	104-7729, 354083	Decal - Danger	1	
80	R115-7263	115-7263	Bolt - Bearing Lock	1	
81	R115-3296	115-3296	Bearing	2	
82	R115-3299	115-3299	Seal- Flocked	2	
83	R105-5700	105-5700, 115-5258	Wave Washer - Bearing	1	
84	R117-6619	117-6619	Bushing	2	
85	R119-4151	119-4151	Screw - Bedknife 5/16-18 x 17/32	11	
86	R119-4040	119-4040	Nut - 1/4-20 Fl Locknut	4	
87	R105-5711	105-5711, 119-4165	Shim - Roller	2	
88	R105-5710	105-5710, 119-4166	Spacer - Roller	2	
89	R105-5712	105-5712, 119-4157	Retainer - Roller	2	

All original equipment manufacturers names and part numbers are used for identification purposes only, and we are in no way implying that our products are original equipment parts. Prices subject to change without notice.



Replaces Toro Greensmaster eFlex 1820 Parts

*DPA Cutting Unit - Models 04289 & 04291
Reel & Bedknife*



Item No	R&R Part No.	OEM Part No.	Description	Qty Req	Order Quantity
90	R119-4035	119-4035	Bolt - 1/4-20 x 1 3/4 Soc HD Cap Scr	4	
91	R115-7042	115-7042	Bolt-Shoulder, Flange	4	
92	R119-4153	119-4153	Bushing - Rubber	2	
93	R52-2890	52-2890	Bushing - Flanged	2	
94	R52-2900	52-2900	Washer - Nylon	4	
95	R52-2860	119-4150, 52-2860	Washer - Bed Bar Pivot	4	
96	R3296-28	119-4154, 140-9234, 32127-34, 32128-7, 32128-8, 32136-7, 3296-28	Nut - 1/2-20 ESNA Jam	2	
97	R117-9493	117-9493	Bolt - Bed Bar - Hardened	2	
98	R115-7143	115-7143	Spring - Wave	1	
99	R115-7041	115-7041	Bracket - Front Roller 5 1/4 in	2	
100	R110-7352	110-7352	Screw - HOC 2 5/8 Stainless	2	
101	R104-2603	104-2603, 119-4158	Washer - HOC Bracket	2	
102	R115-7193	115-7193	Nut-HOC	2	
103	R99-3773	99-3773	Bolt- Plow 3/8-16 x 1 3/4	2	
104	R115-6923	115-6923	Shield - Bearing - Flocked	1	
105	R114-9396	114-9396, 119-4067	Bolt - Hex HD 5/16-18 x 3/8	3	
106	R360-0398	360-0398	O-Ring	1	
107	R119-4079	119-4079	Shaft- Roller	1	

All original equipment manufacturers names and part numbers are used for identification purposes only, and we are in no way implying that our products are original equipment parts. Prices subject to change without notice.



Replaces Toro Greensmaster eFlex 1820 Parts

*DPA Cutting Unit - Models 04289 & 04291
Reel & Bedknife*



Item No	R&R Part No.	OEM Part No.	Description	Qty Req	Order Quantity
108	R108-3151	106-6939, 108-3151	Locknut - Roller - Stainless	2	
109	R106-6942	106-6942	V-Ring - Roller	2	
110	R106-6941	106-6941	Seal - Double Lip	2	
111	R251-347	251-347, 72-5690	Bearing - Ball	2	
112	R119-4066-03	119-4066-03	Cutoff Bar	1	
113	R131-6150	131-6150	Screw- 1/4-20 x 3/4 Hx Wh Thread Forming	4	
114	R119-4005	119-4005	Side Plate Assy-LH Incl R117-6619	1	
115	R119-4007	119-4007	Side Plate Assy-RH Incl R117-6619	1	
116	R132-4586	132-4586	Screw - HOC - Stainless	2	
117	R121-4605	121-4506, 121-4605	Washer - Spring - Curved	2	

All original equipment manufacturers names and part numbers are used for identification purposes only, and we are in no way implying that our products are original equipment parts. Prices subject to change without notice.



Replaces Toro Greensmaster eFlex 1820 Parts



*DPA Cutting Unit - Models 04289 & 04291
Reel & Bedknife*

Item No	R&R Part No.	OEM Part No.	Description	Qty Req	Order Quantity
118	R453011	01-166-0100, 01-166-0120, 01-166-0270, 01-166-0500, 01-166-0600, 01-166-0620, 132-4593, 2356-3, 237-12, 24-10-AD, 24-11-AD, 24-11-BD, 24-12-AD, 24-12-BD, 30-9310, 32-8190, 3256-24, 3256-3, 3256-36, 3256-4, 453011, 47-9950, 48-9220, 513458, 7-0052	Washer - Flat 3/8 SAE Y/Zinc	4	
119	R1891	1891	E-Ring	2	

All original equipment manufacturers names and part numbers are used for identification purposes only, and we are in no way implying that our products are original equipment parts. Prices subject to change without notice.