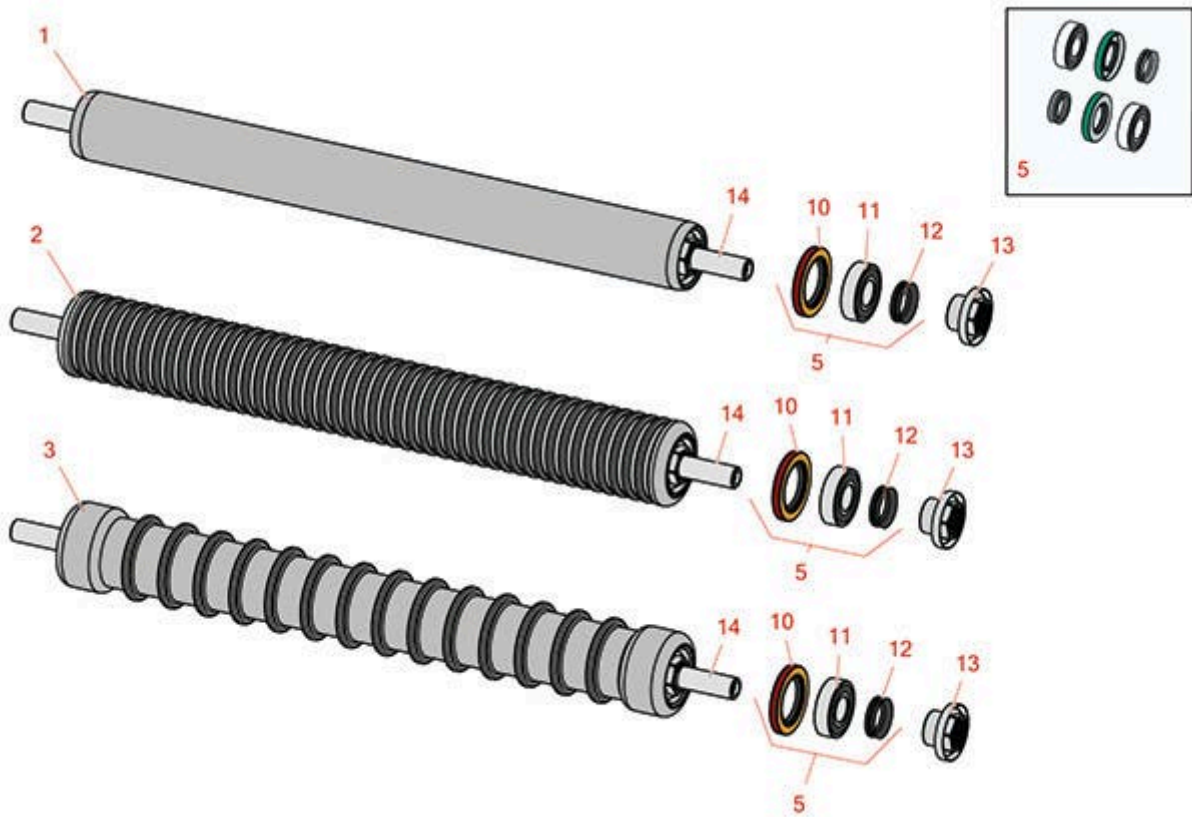




Replaces Toro Greensmaster eFlex 1820

Parts

DPA Cutting Unit - Models 04289 & 04291
Rollers



All original equipment manufacturers names and part numbers are used for identification purposes only, and we are in no way implying that our products are original equipment parts. Prices subject to change without notice.



Replaces Toro Greensmaster eFlex 1820 Parts



DPA Cutting Unit - Models 04289 & 04291
Rollers

Item No	R&R Part No.	OEM Part No.	Description	Qty Req	Order Quantity
---------	--------------	--------------	-------------	---------	----------------

Rollers

1	R120-9606	110-2303, 120-9605, 120-9606	Roller - Smooth Aluminum 2x18	1	
2	R120-9607	110-2304, 120-9607	Roller - Narrow Grooved Machined Aluminum	1	
3	R120-9609	120-9609	Roller - Wide Grooved Aluminum - 2.5x18	1	

Overhaul Kits & Service Tools

5	R107-1594	107-1594	Overhaul Kit - Roller	1	
---	------------------	----------	-----------------------	---	--

Tech Note: Includes 2 ea.: R106-6941 Seals, R106-6942 V-Rings & R251-347 Bearings:

Other Parts Available

10	R106-6941	106-6941	Seal - Double Lip	2	
11	R251-347	251-347, 72-5690	Bearing - Ball	2	
12	R106-6942	106-6942	V-Ring - Roller	2	
13	R108-3151	106-6939, 108-3151	Locknut - Roller - Stainless	2	
14	R119-4079	119-4079	Shaft- Roller	1	

All original equipment manufacturers names and part numbers are used for identification purposes only, and we are in no way implying that our products are original equipment parts. Prices subject to change without notice.