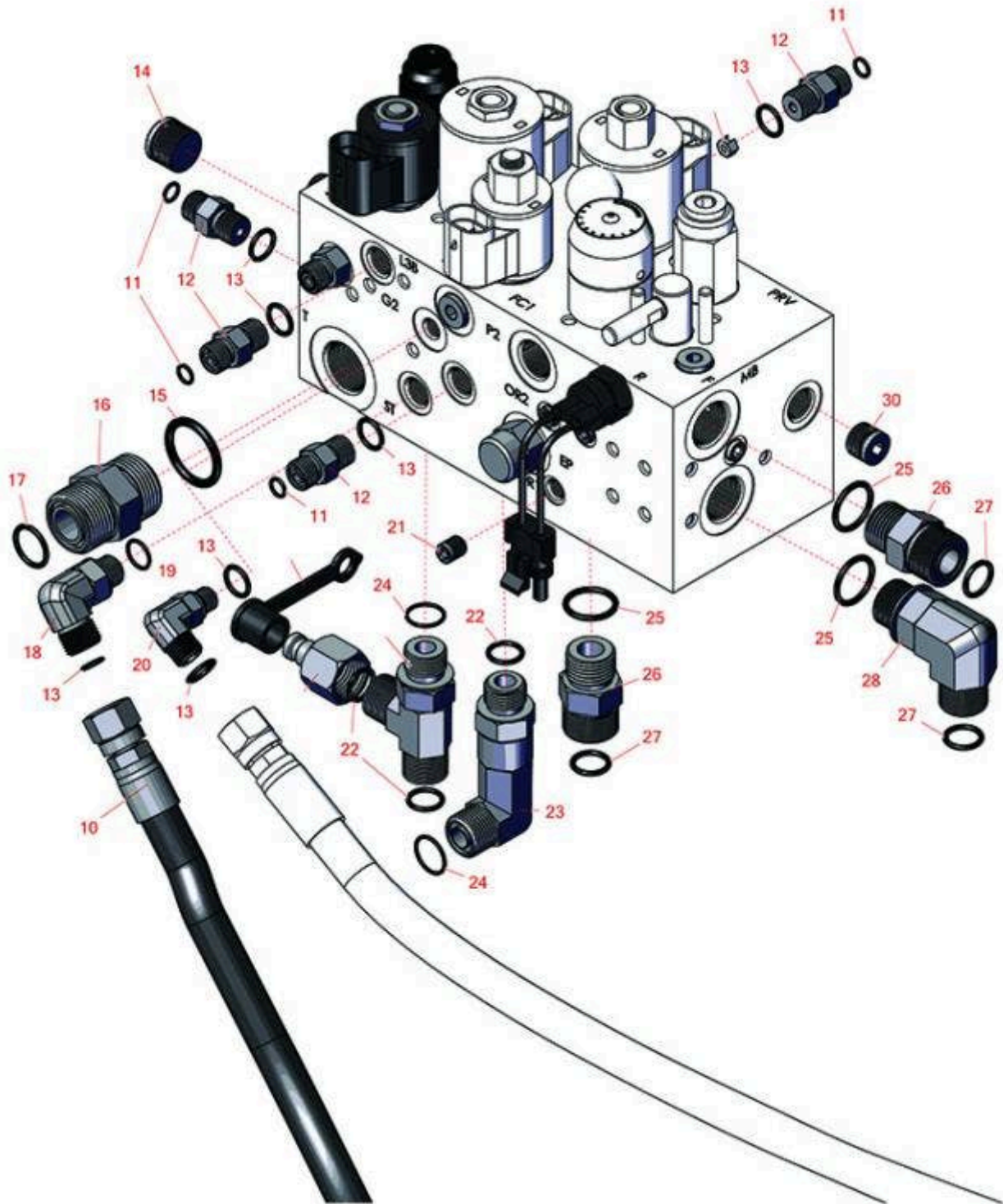




Replaces Toro Greensmaster 3250-D Parts

*Traction Unit - Model 04383 & 04384
Hydraulic Manifold*



All original equipment manufacturers names and part numbers are used for identification purposes only, and we are in no way implying that our products are original equipment parts. Prices subject to change without notice.



Replaces Toro Greensmaster 3250-D Parts



*Traction Unit - Model 04383 & 04384
Hydraulic Manifold*

| Item No | R&R Part No. | OEM Part No. | Description | Qty Req | Order Quantity |
|---------|--------------|--------------|-------------|---------|----------------|
|---------|--------------|--------------|-------------|---------|----------------|

Hoses

| | | | | | |
|----|------------------|----------|---------------------|---|--|
| 10 | R105-9790 | 105-9790 | Hydraulic Hose Assy | 1 | |
|----|------------------|----------|---------------------|---|--|

Other Parts Available

| | | | | | |
|------------------------------------|------------------|--------------------------------|-------------------------------|----|--|
| 11 | R237-21 | 237-21, 327-21 | O-Ring | 6 | |
| 12 | R340-92 | 340-92 | Hydraulic Fitting - Striaight | 6 | |
| 13 | R237-22 | 107-8844, 237-22, 237-78 | O-Ring | 9 | |
| 14 | R106-1027 | 106-1027 | Plug-Hyd | 1 | |
| 15 | R237-81 | 237-81, 237.81, 327-81 | O-Ring | 1 | |
| 16 | R340-9 | 340-9 | Fitting - Straight Connector | 1 | |
| 17 | R237-58 | 237-58 | O-Ring | 1 | |
| 18 | R340-77 | 340-100, 340-77, 95-7889 | Hydraulic Fitting | 1 | |
| 19 | R237-42 | 237-42, 31-4160 | O-Ring | 1 | |
| 20 | R340-97 | 340-97 | Hydraulic Fitting - 90 Deg | 1 | |
| 21 | R106-1025 | 106-1025 | Plug - Hyd | 11 | |
| 22 | R237-30 | 23-6320, 237-30 | O-Ring - Seal | 1 | |
| 23 | R99-6160 | 99-6160 | Fitting - 90 Deg Elbow | 1 | |
| <i>Tech Note: 04383/2006-2011:</i> | | | | | |
| 24 | R237-79 | 237-79 | O-Ring | 1 | |

All original equipment manufacturers names and part numbers are used for identification purposes only, and we are in no way implying that our products are original equipment parts. Prices subject to change without notice.



Replaces Toro Greensmaster 3250-D Parts

*Traction Unit - Model 04383 & 04384
Hydraulic Manifold*



| Item No | R&R Part No. | OEM Part No. | Description | Qty Req | Order Quantity |
|---------|------------------|-------------------|----------------------------------|---------|----------------|
| 25 | R237-80 | 237-80, 327-80 | O-Ring | 3 | |
| 26 | R340-7 | 340-7 | Adapter | 2 | |
| 27 | R237-65 | 237-65, 237.65 | O-Ring | 2 | |
| 28 | R340-17 | 340-17 | No 10 Male Orfs x No 10 Male Orb | 1 | |
| 30 | R106-1026 | 106-1026 | Plug-Hyd | 6 | |

All original equipment manufacturers names and part numbers are used for identification purposes only, and we are in no way implying that our products are original equipment parts. Prices subject to change without notice.