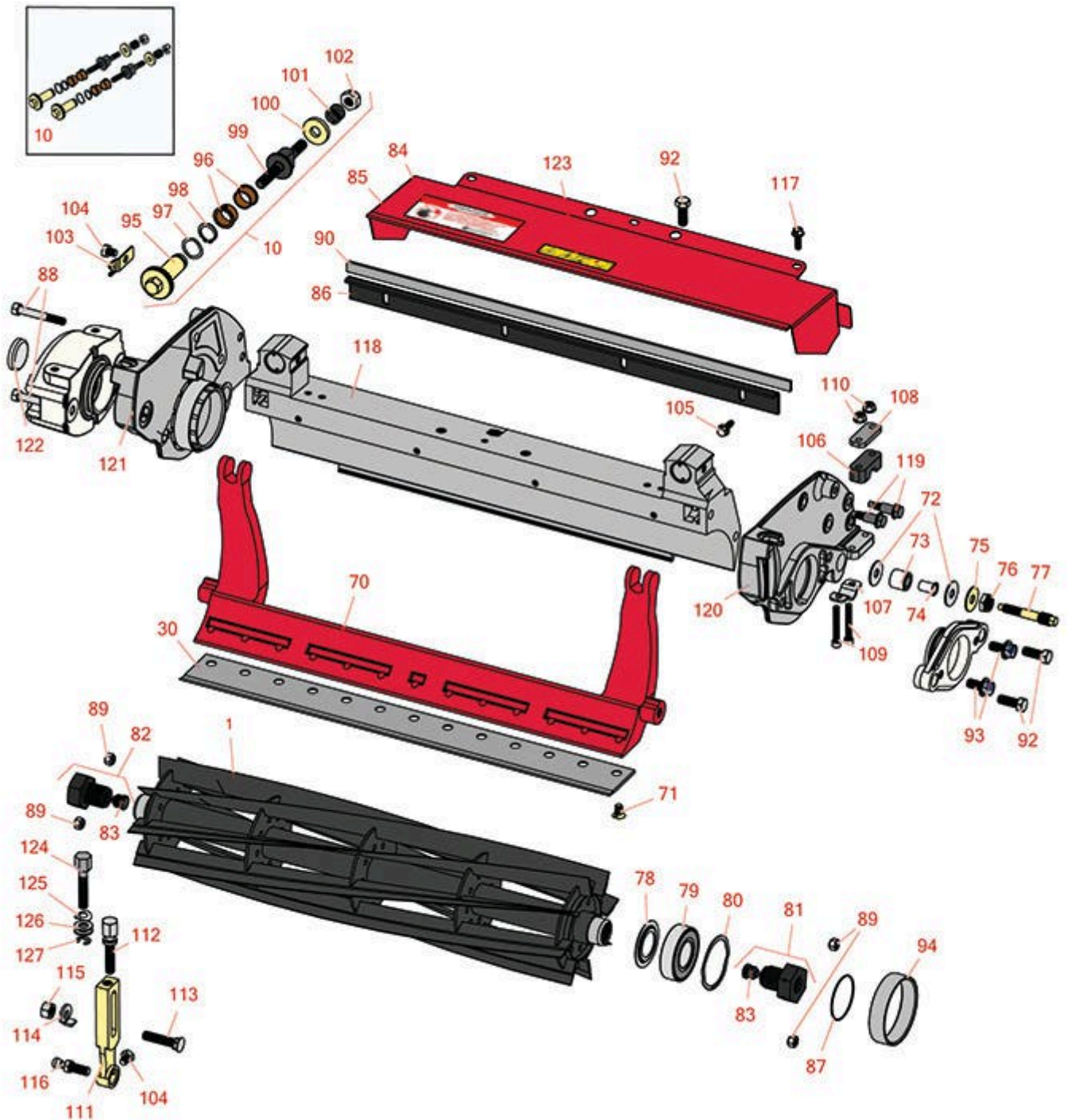




Replaces Toro Greensmaster 3250-D Parts

DPA Cutting Unit - Model 04652, 04654 & 04656
Reel & Bedknife



All original equipment manufacturers names and part numbers are used for identification purposes only, and we are in no way implying that our products are original equipment parts. Prices subject to change without notice.



Replaces Toro Greensmaster 3250-D Parts

DPA Cutting Unit - Model 04652, 04654 & 04656
Reel & Bedknife



Item No	R&R Part No.	OEM Part No.	Description	Qty Req	Order Quantity
---------	--------------	--------------	-------------	---------	----------------

Overhaul Kit

10	R121-2637	121-2637	Overhaul Kit - DPA Adjusters	0	
----	------------------	----------	------------------------------	---	--

R&R Razor Reels, Lifetime Guaranteed

1	R137-8511	137-8511	Reel - 8 Blade Razor Series Low Drag w/Bearings and Seals 21	1	
---	------------------	----------	--	---	--

Tech Note: Uses special high alloy premium steel reel blades:

1	R132-7340	132-7340	Reel - 8 Blade Razor Series Low Drag	1	
---	------------------	----------	--------------------------------------	---	--

Tech Note: Uses special high alloy premium steel reel blades:

1	R137-8512	137-8512	Reel - 11 Blade Razor Series Low Drag w/Bearings and Seals 21	1	
---	------------------	----------	---	---	--

Tech Note: Uses special high alloy premium steel reel blades:

1	R132-7341	132-7341	Reel - 11 Blade Razor Series Low Drag 21	1	
---	------------------	----------	--	---	--

Tech Note: Uses special high alloy premium steel reel blades:

1	R137-8513	137-8513	Reel - 14 Blade Razor Series Low Drag w/Bearings and Seals 21	1	
---	------------------	----------	---	---	--

Tech Note: Uses special high alloy premium steel reel blades:

1	R132-7342	132-7342	Reel - 14 Blade Razor Series Low Drag 21	1	
---	------------------	----------	--	---	--

Tech Note: Uses special high alloy premium steel reel blades:

R&R Bedknife, Lifetime Guaranteed

30	R108-4302	108-4301, 108-4302	Bedknife - Tournament Cut Extended .125 - .500 HOC	1	
----	------------------	-----------------------	--	---	--

30	R108-4303	104-7720, 108-4303	Bedknife - Micro Cut Extended .062 - .187 HOC	1	
----	------------------	-----------------------	---	---	--

30	R150466	63-8600, 64-6393, 94-6393	Bedknife - Super Thick .312 - 1.00 HOC	1	
----	----------------	---------------------------------	--	---	--

All original equipment manufacturers names and part numbers are used for identification purposes only, and we are in no way implying that our products are original equipment parts. Prices subject to change without notice.



Replaces Toro Greensmaster 3250-D Parts

DPA Cutting Unit - Model 04652, 04654 & 04656
Reel & Bedknife



Item No	R&R Part No.	OEM Part No.	Description	Qty Req	Order Quantity
30	R93-4262	65-8250, 93-4262, 93-4263	Bedknife - Micro Cut .062 - .187 HOC	1	
30	R93-4263	63-8560, 66-9320, 93-4263, 93-6039	Bedknife - Tournament Cut .125 - .500 HOC	1	
30	R93-4264	57-4960, 63-8470, 93-4264	Bedknife - Low Cut .187 - 1.00 HOC	1	
30	R94-6392	62-2500, 94-6392	Bedknife - High Cut .312 - 1.00 HOC	1	
30	R63-8610	63-8610	Bedknife - Fairway Cut .375 - 1.00 HOC	1	
30	R150462	63-8610, 94-6396	Bedknife - 7 Hole Thick 5/16	1	
30	R94-6396	10-4900, 54-9150, 94-6396, Oct-00	Bedknife - High Cut 5/16"-1" HOC	1	

R&R Razor Tool Steel Bedknife, Lifetime Guaranteed

30	R112-7475	112-7475	Bedknife - Razor Tool Steel - 22 x 3/8 Fairway	1	
<i>Tech Note: Razor Tool Steel Bedknives are constructed from high grade tool steel for extended life and optimum cut.:</i>					
30	R115-1880	115-1880	Bedknife - Razor Tool Steel - 21 Micro Cut .062 - .187 HOC	1	
<i>Tech Note: Razor Tool Steel Bedknives are constructed from high grade tool steel for extended life and optimum cut.:</i>					
30	R115-1881	115-1881	Bedknife - Razor Tool Steel - 21 Tournament Cut .125 - .500 HOC	1	
<i>Tech Note: Razor Tool Steel Bedknives are constructed from high grade tool steel for extended life and optimum cut.:</i>					

All original equipment manufacturers names and part numbers are used for identification purposes only, and we are in no way implying that our products are original equipment parts. Prices subject to change without notice.



Replaces Toro Greensmaster 3250-D Parts

*DPA Cutting Unit - Model 04652, 04654 & 04656
Reel & Bedknife*



Item No	R&R Part No.	OEM Part No.	Description	Qty Req	Order Quantity
---------	--------------	--------------	-------------	---------	----------------

Other Parts Available

70	R106-2648-01	106-2648-01	Bed Bar	1	
70	R99-3794-01	99-3794-01, 99-3794-03	Bed Bar - Aggressive	1	
71	R119-4151	119-4151	Screw - Bedknife 5/16-18 x 17/32	13	
72	R52-2900	52-2900	Washer - Nylon	4	
73	R119-4153	119-4153	Bushing - Rubber	2	
74	R52-2890	52-2890	Bushing - Flanged	2	
75	R52-2860	119-4150, 52-2860	Washer - Bed Bar Pivot	2	
76	R3296-28	119-4154, 140-9234, 32127-34, 32128-7, 32128-8, 32136-7, 3296-28	Nut - 1/2-20 ESNA Jam	2	
77	R117-9493	117-9493	Bolt - Bed Bar - Hardened	2	
78	R115-3299	115-3299	Seal- Flocked	2	
79	R115-3296	115-3296	Bearing	2	
79	R140-5510	140-5510	Bearing - Sealed Stainless	2	
80	R105-5700	105-5700, 115-5258	Wave Washer - Bearing	1	
81	R120-3221	120-3221	Reel Nut Assy - LH	1	
82	R120-3222	120-3222	Reel Nut Assy - RH	1	
83	R120-3220	120-3220	Plug - Plastic	2	

All original equipment manufacturers names and part numbers are used for identification purposes only, and we are in no way implying that our products are original equipment parts. Prices subject to change without notice.



Replaces Toro Greensmaster 3250-D Parts

DPA Cutting Unit - Model 04652, 04654 & 04656
Reel & Bedknife



Item No	R&R Part No.	OEM Part No.	Description	Qty Req	Order Quantity
84	R354083	104-7729, 354083	Decal - Danger	1	
85	R119-4095	119-4095	Grass Shield Assy	1	
86	R115-3303-03	115-3303-03	Bar - Cutoff	1	
87	R360-0398	360-0398	O-Ring	2	
88	R322-11	01-150-0390, 01-178-0518, 20-31-AD, 322-11, 3223-7	Bolt - 5/16-18 x 2 1/4 Hx HD	2	
89	R32153-3	119-4038, 22-12-AJFD, 32127-35, 32146-5, 32153-3, 3296-18, 3296-29, 3296-31, N/A	Locknut - 5/16-18 ESNA Zinc	4	
90	R106-2619	106-2619	Seal - Strip	1	
92	R323-6	01-150-0010, 01-178-0608, 20-47-AD, 20-47-AGD, 3224-2, 323-6, 49-3510, 908034P, 908332	Bolt - Hex HD 3/8-16 x 1 GR5 YZ	2	
93	R110-1718	110-1718	Screw-HHF	2	
94	R117-6619	117-6619	Bushing	1	
95	R106-5363	106-5363	Shaft - Adjusting - Bed Bar - Stainless	2	
96	R106-5344	106-5344	Bushing - Flanged and Keyed	4	

All original equipment manufacturers names and part numbers are used for identification purposes only, and we are in no way implying that our products are original equipment parts. Prices subject to change without notice.



Replaces Toro Greensmaster 3250-D Parts

*DPA Cutting Unit - Model 04652, 04654 & 04656
Reel & Bedknife*



Item No	R&R Part No.	OEM Part No.	Description	Qty Req	Order Quantity
97	R119-4164	119-4164	Washer - Wave	2	
98	R32120-93	32120-93	Snap Ring - HD	2	
99	R115-7039	115-7039	Screw - Adjuster - Bedbar	2	
99	R137-6130	137-6130	Screw - Adjuster - Hardened - Bedbar	2	
100	R119-4155	119-4155	Washer - Hardened	2	
101	R119-4156	119-4156	Spring - Compression	2	
102	R3296-48	119-4039, 32146-7, 3296-34, 3296-48	Locknut - 7/16-14 ESNA	2	
103	R99-2097	99-2097	Detent - Bed Bar Adjuster	2	
104	R114-9396	114-9396, 119-4067	Bolt - Hex HD 5/16-18 x 3/8	4	
105	R131-6150	131-6150	Screw- 1/4-20 x 3/4 Hx Wh Thread Forming	4	
106	R105-5710	105-5710, 119-4166	Spacer - Roller	2	
107	R105-5712	105-5712, 119-4157	Retainer - Roller	2	
108	R105-5711	105-5711, 119-4165	Shim - Roller	2	
109	R119-4035	119-4035	Bolt - 1/4-20 x 1 3/4 Soc HD Cap Scr	4	
110	R119-4040	119-4040	Nut - 1/4-20 Fl Locknut	4	
111	R115-7041	115-7041	Bracket - Front Roller 5 1/4 in	2	
112	R110-7352	110-7352	Screw - HOC 2 5/8 Stainless	2	
113	R99-3773	99-3773	Bolt- Plow 3/8-16 x 1 3/4	2	

All original equipment manufacturers names and part numbers are used for identification purposes only, and we are in no way implying that our products are original equipment parts. Prices subject to change without notice.



Replaces Toro Greensmaster 3250-D Parts

*DPA Cutting Unit - Model 04652, 04654 & 04656
Reel & Bedknife*



Item No	R&R Part No.	OEM Part No.	Description	Qty Req	Order Quantity
114	R104-2603	104-2603, 119-4158	Washer - HOC Bracket	2	
115	R115-7193	115-7193	Nut-HOC	2	
116	R94-2958	94-2958	Stud - Alloy Ball Joint	2	
117	R119-4012	119-4012	Screw - Hx Washer HD Self Threading	3	
118	R119-9303	105-5799, 119-9303	Frame - Crossmember	1	
119	R115-7042	115-7042	Bolt-Shoulder, Flange	4	
120	R119-4005	119-4005	Side Plate Assy-LH Incl R117-6619	1	
121	R119-4007	119-4007	Side Plate Assy-RH Incl R117-6619	1	
122	R105-5708	105-5708, 121-46009, 121-4609	Plug - Expansion	1	
123	R137-9706	137-9706	Decal- Warning	1	
124	R132-4586	132-4586	Screw - HOC - Stainless	2	
125	R121-4605	121-4506, 121-4605	Washer - Spring - Curved	2	

All original equipment manufacturers names and part numbers are used for identification purposes only, and we are in no way implying that our products are original equipment parts. Prices subject to change without notice.



Replaces Toro Greensmaster 3250-D Parts



*DPA Cutting Unit - Model 04652, 04654 & 04656
Reel & Bedknife*

Item No	R&R Part No.	OEM Part No.	Description	Qty Req	Order Quantity
126	R453011	01-166-0100, 01-166-0120, 01-166-0270, 01-166-0500, 01-166-0600, 01-166-0620, 132-4593, 2356-3, 237-12, 24-10-AD, 24-11-AD, 24-11-BD, 24-12-AD, 24-12-BD, 30-9310, 32-8190, 3256-24, 3256-3, 3256-36, 3256-4, 453011, 47-9950, 48-9220, 513458, 7-0052	Washer - Flat 3/8 SAE Y/Zinc	4	
127	R1891	1891	E-Ring	2	

All original equipment manufacturers names and part numbers are used for identification purposes only, and we are in no way implying that our products are original equipment parts. Prices subject to change without notice.