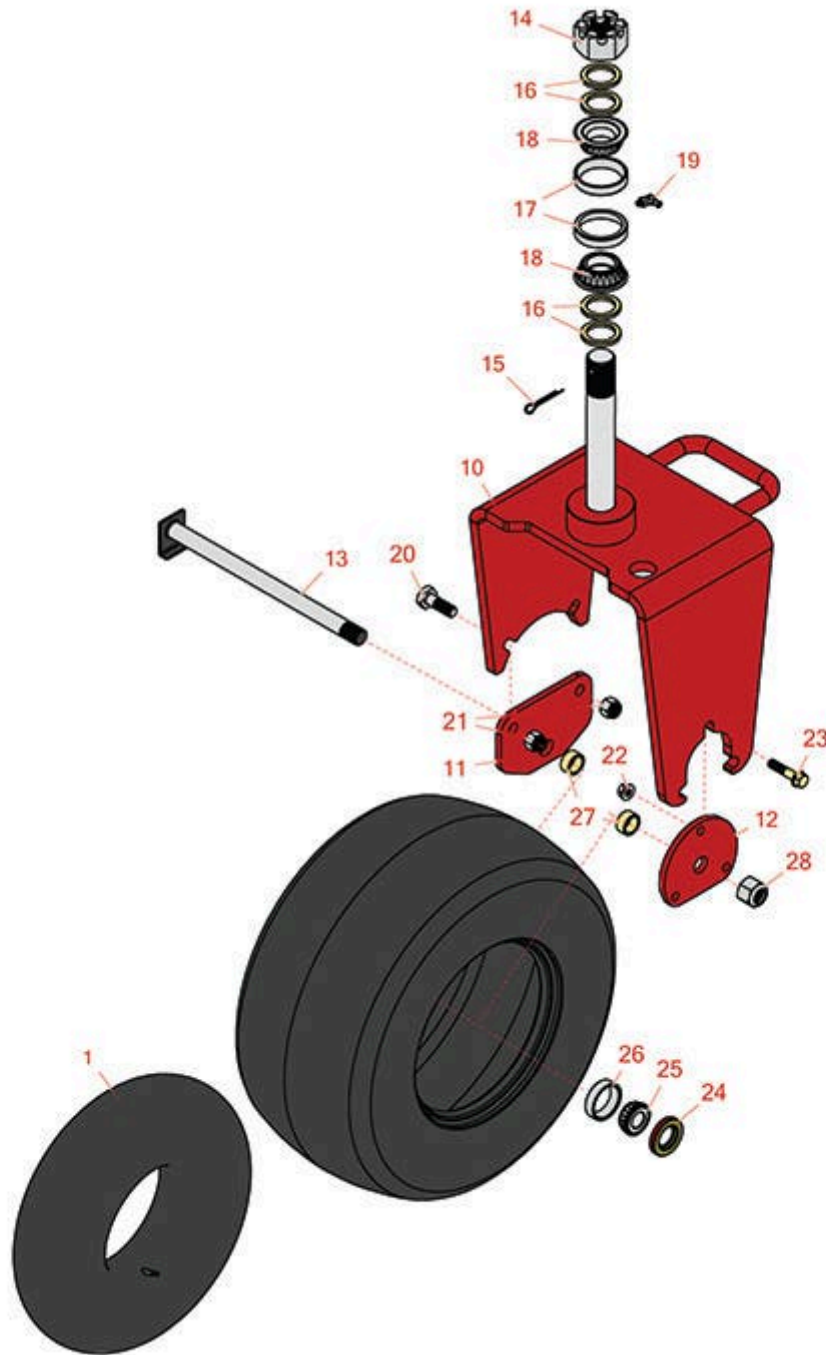




Replaces Toro Greensmaster 3120 Parts

Traction Unit
Rear Wheel



All original equipment manufacturers names and part numbers are used for identification purposes only, and we are in no way implying that our products are original equipment parts. Prices subject to change without notice.



Replaces Toro Greensmaster 3120 Parts

Traction Unit
Rear Wheel



Item No	R&R Part No.	OEM Part No.	Description	Qty Req	Order Quantity
1	R700141	232-37, 232-47	Tube - 18x6.50/7.50/8.50/9.50-8 TR13	1	
Other Parts Available					
10	R112-0285-01	112-0285-01	Fork - Castor	1	
11	R99-1485-01	99-1485-01	Plate - Adapter	1	
12	R99-1486-01	99-1486-01	Plate - Adapter	1	
13	R5-3934	5-3934	Bolt - Steering Caster Fork	1	
14	R32136-9	32136-9	Nut - 1-1/4-12 Slotted	1	
15	R3272-37	3272-37	Pin - Cotter 1/4 x 2-1/2	1	
16	R18-6320	18-6320	Washer - Steering Fork	4	
17	R254-61	01-103-0090, 115-9471, 254-61, 92-0611, 93-4850	Cup	2	
18	R254-70	115-9472, 254-70	Tapered Bearing Cone - w/Seal	2	
19	R700414	302-11, 302-19, 302-4, 32-8170	Zerk - Grease 1/4-28 45 Deg	1	
20	R400408	01-150-0090, 01-178-0812, 20-87-AD, 20-87-AGD, 20-87-AGF, 3226-2, 325-6, 513376, 513378	Bolt - Hex HD 1/2-13 x 1-1/2	4	

All original equipment manufacturers names and part numbers are used for identification purposes only, and we are in no way implying that our products are original equipment parts. Prices subject to change without notice.



Replaces Toro Greensmaster 3120 Parts

Traction Unit
Rear Wheel



Item No	R&R Part No.	OEM Part No.	Description	Qty Req	Order Quantity
21	RF5003	32127-29, 32131-5, 32132-5, 3296-23	Locknut - ESNA 1/2-13	2	
22	R3296-39	32127-25, 32128-36, 3290-357, 3296-17, 3296-22, 3296-39, 915663P, 99-7443	Locknut - 3/8-16 Nylon	3	
23	R114-4681	114-4681	Bolt - Hx Washer HD 3/8-16x1 3/4	3	
24	R253-111	253-108, 253-111	Seal	2	
25	R254-78	01-102-0060, 01-102-0130, 1-633585, 254-78, 32-7790, 32-9580, 93-4813	Tapered Bearing Cone	2	
26	R254-79	01-103-0060, 01-103-0130, 1-633584, 252-106, 254-79, 32-7800, 32-9590	Cup - Bearing	2	
<i>Tech Note: Use R254-79M installation mandrel to properly install race.:</i>					
27	R74-3730	217-96, 74-3730	Spacer	2	
28	R3296-67	3296-67	Locknut - 3/4-16 Heavy Jam RH Thread	1	

All original equipment manufacturers names and part numbers are used for identification purposes only, and we are in no way implying that our products are original equipment parts. Prices subject to change without notice.