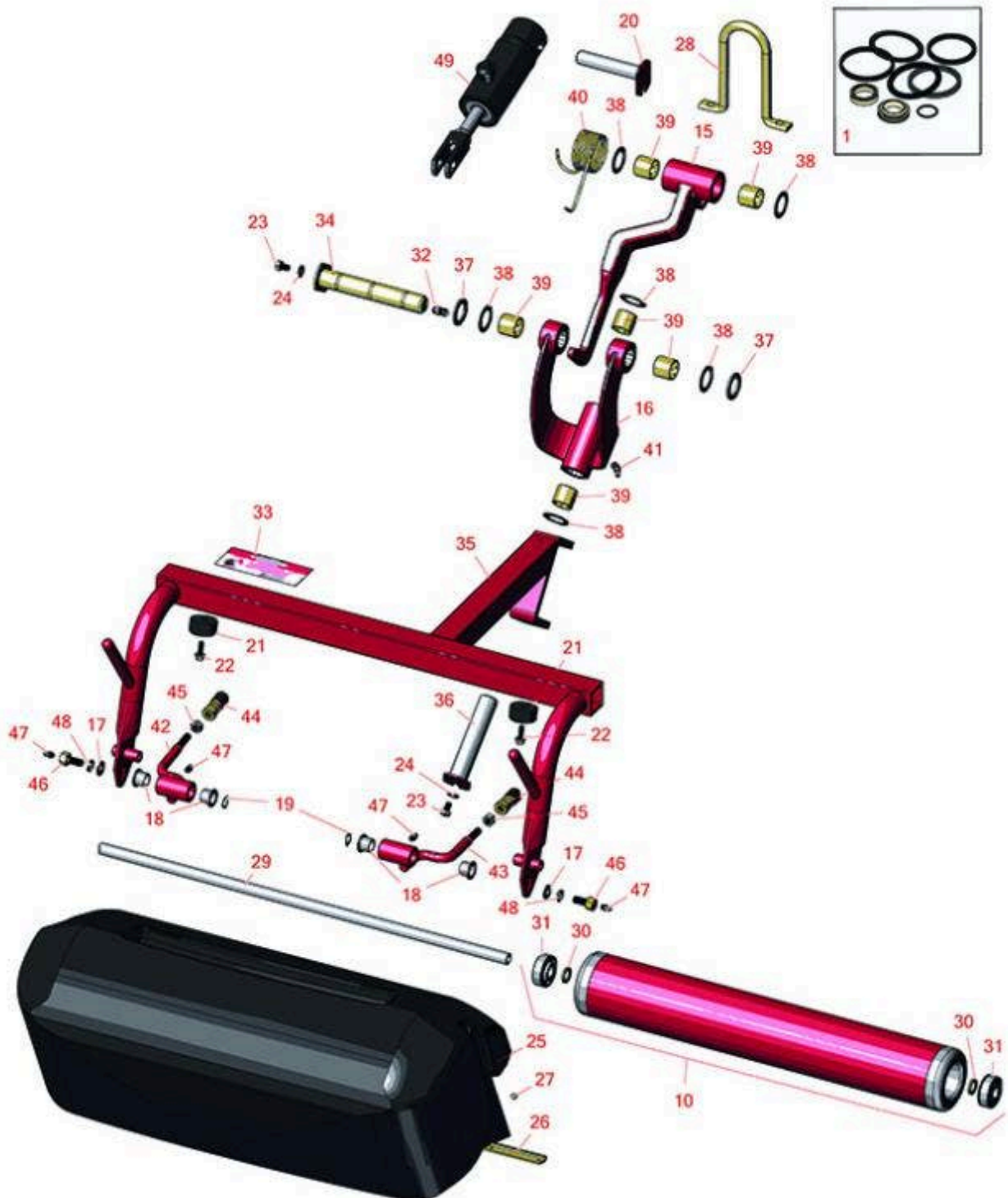




Replaces Toro Greensmaster 3120 Parts

Traction Unit

Right Hand Pull Frame



All original equipment manufacturers names and part numbers are used for identification purposes only, and we are in no way implying that our products are original equipment parts. Prices subject to change without notice.



Replaces Toro Greensmaster 3120 Parts

*Traction Unit
Right Hand Pull Frame*



Item No	R&R Part No.	OEM Part No.	Description	Qty Req	Order Quantity
Overhaul Kis					
1	R132-9515	132-9515	Seal Kit Fits 131-2787 Cyl	1	
Rollers					
10	R133-2337	133-2337	Roller Assy	1	
Other Parts Available					
15	R107-2599	107-2599	Lift Arm Assy - RH	1	
16	R10-7820	10-7820	Pivot Hinge Assy	1	
17	R453011	01-166-0100, 01-166-0120, 01-166-0270, 01-166-0500, 01-166-0600, 01-166-0620, 132-4593, 2356-3, 237-12, 24-10-AD, 24-11-AD, 24-11-BD, 24-12-AD, 24-12-BD, 30-9310, 32-8190, 3256-24, 3256-3, 3256-36, 3256-4, 453011, 47-9950, 48-9220, 513458, 7-0052	Washer - Flat 3/8 SAE Y/Zinc	2	
18	R125-5178	125-5178	Bushing - Sintered Iron	4	
19	R3290-317	3290-317	Washer - Wave	2	

All original equipment manufacturers names and part numbers are used for identification purposes only, and we are in no way implying that our products are original equipment parts. Prices subject to change without notice.



Replaces Toro Greensmaster 3120 Parts

Traction Unit

Right Hand Pull Frame



Item No	R&R Part No.	OEM Part No.	Description	Qty Req	Order Quantity
20	R10-6060	10-6060, 120-3199	Pin - Pivot 3-7/8 Long	1	
21	R94-4548	94-4548	Rubber Bumper	2	
22	R49-2040	32104-42, 32104-95, 32144-44, 49-2040	Bolt - Hex Washer 1/4-20 x 3/4	2	
23	R322-1	01-178-0504, 20-22-AD, 20-22-AGD, 322-1, 513337	Bolt - Hex HD 5/16-18 x 1/2	2	
24	R453009	01-166-0400, 24-10-BD, 24-9-AD, 32-9650, 3256-2, 3256-23, 3256-3, 3256-67, 3290-217, 3556-3, 4-2390, 7-0152	Washer - Flat 5/16 SAE	2	
25	R108-8642	108-8642	Grass Basket w/Bkt	1	
26	R104-2607	104-2607	Strip - Reinforcing Grass Basket	1	
27	R3290-382	3269-15, 3290-382	Rivet - 5/32 x 1/2 Pop Rivet	8	
28	R105-5740	105-5740	Hook - Lift	1	
29	R21-8470	21-8470	Shaft - Roller	1	
30	R253-83	253-83	Seal - Oil 7/8 OD x 5/8 ID	2	
31	R251-141	251-141	Bearing - Roller	2	
31	R133-2378	133-2378	Bearing - Roller	2	

All original equipment manufacturers names and part numbers are used for identification purposes only, and we are in no way implying that our products are original equipment parts. Prices subject to change without notice.



Replaces Toro Greensmaster 3120 Parts

Traction Unit

Right Hand Pull Frame



Item No	R&R Part No.	OEM Part No.	Description	Qty Req	Order Quantity
32	R323016	302-33, 323016	Zerk - Grease	1	
33	R354083	104-7729, 354083	Decal - Danger	1	
34	R114-4683	114-4683	Pin - Hinge 6-1/4 Long	1	
35	R112-0282	108-8631, 112-0282, 117-9543	Frame - Pull RH	1	
36	R10-6090	10-6090	Pin - Pivot 4 7/8 Long	1	
37	R5-1226	5-1226	Spacer	2	
38	R10-8110	10-8110	Washer - Pivot Pin	6	
39	R125-5196	125-5196	Bushing - Copper Coated	6	
40	R110-3951	106-9078, 110-3951	Spring - Torsion - RH	1	
41	R302-60	302-60	Zerk - Grease 90 Deg.	1	
42	R92-0585	92-0585	Arm - Pull RH - w/Bushings	1	
43	R92-0586	92-0586, 95-0586	Arm - Pull LH w/Bushings	1	
44	R99-1460	2411-28, 2411-29, 2411-30, 2411-8, 8-7710, 94-2959, 99-1460	Receiver - Ball Joint	2	
45	R3220-3	01-191-0624, 3220-3, 3290-149	Nut - Jam Ball Joint	2	
46	R11-0160	11-0160	Screw - Roller Shaft	2	

All original equipment manufacturers names and part numbers are used for identification purposes only, and we are in no way implying that our products are original equipment parts. Prices subject to change without notice.



Replaces Toro Greensmaster 3120 Parts

*Traction Unit
Right Hand Pull Frame*



Item No	R&R Part No.	OEM Part No.	Description	Qty Req	Order Quantity
47	R302-5	21-6010, 302-11, 302-37, 302-47, 302-5, 302-57, 302-58, 302-6, 31-0300, 32-9660, 60-0800, 62-3880, 92-4181	Fitting - Grease	2	
48	R3253-21	215-51, 30-8470, 3253-21, Jul-12	Washer - Lock 3/8	2	
49	R131-2787	131-2787	Hyd Cylinder Assy	1	

All original equipment manufacturers names and part numbers are used for identification purposes only, and we are in no way implying that our products are original equipment parts. Prices subject to change without notice.