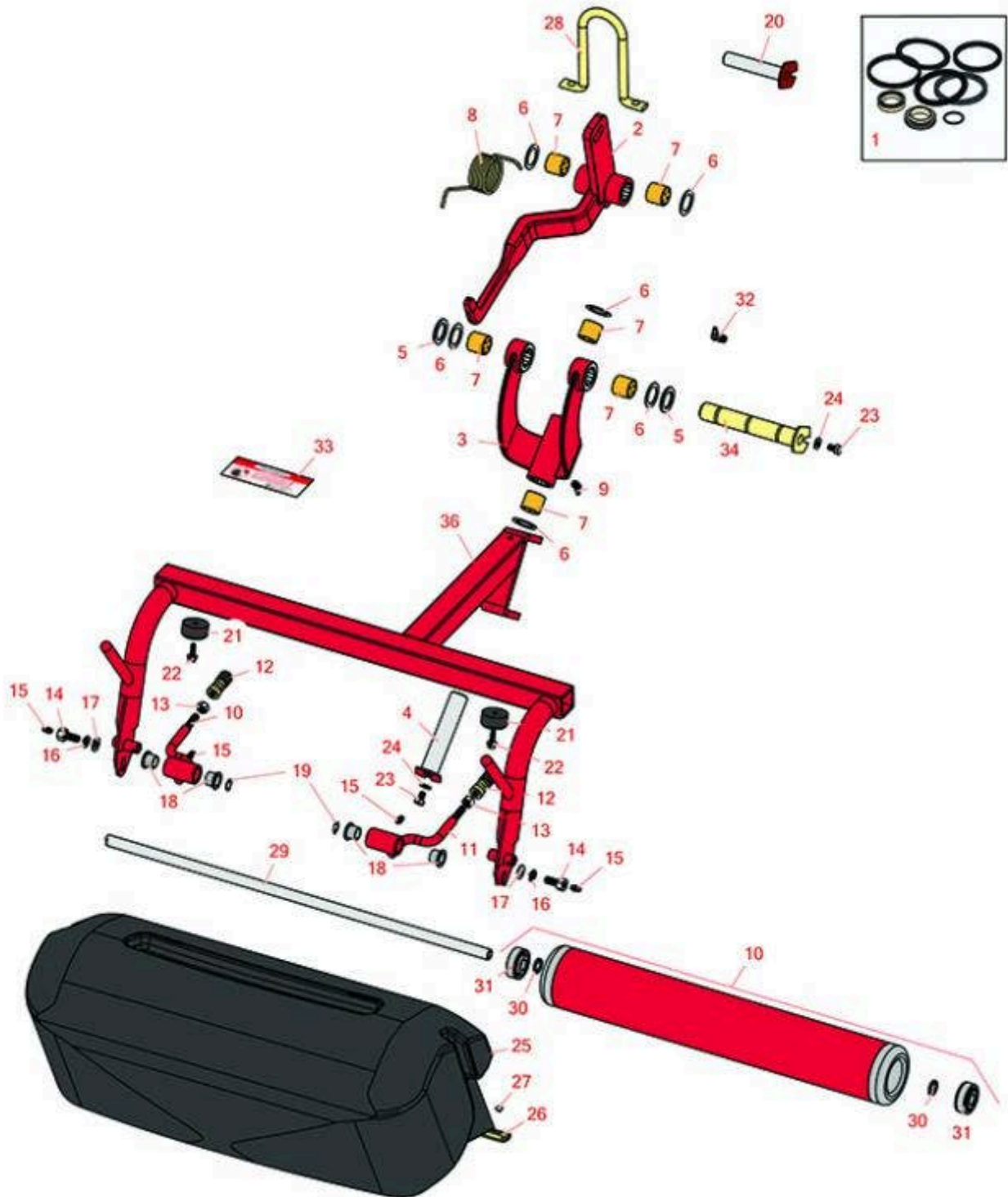




Replaces Toro Greensmaster 3120 Parts

Traction Unit
Center Pull Frame



All original equipment manufacturers names and part numbers are used for identification purposes only, and we are in no way implying that our products are original equipment parts. Prices subject to change without notice.



Replaces Toro Greensmaster 3120 Parts

*Traction Unit
Center Pull Frame*



Item No	R&R Part No.	OEM Part No.	Description	Qty Req	Order Quantity
Overhaul Kits					
1	R132-9516	132-9516	Seal Kit - Fits R131-2786 Cyl	1	
Rollers					
10	R133-2337	133-2337	Roller Assy	1	
Other Parts Available					
15	R110-3955	110-3955	Lift Arm Assy - Center	1	
16	R105-0452	105-0452	Pivot Hinge Assy	1	
17	R10-6090	10-6090	Pin - Pivot 4 7/8 Long	1	
18	R5-1226	5-1226	Spacer	2	
19	R10-8110	10-8110	Washer - Pivot Pin	6	
20	R10-6060	10-6060, 120-3199	Pin - Pivot 3-7/8 Long	1	
21	R94-4548	94-4548	Rubber Bumper	2	
22	R49-2040	32104-42, 32104-95, 32144-44, 49-2040	Bolt - Hex Washer 1/4-20 x 3/4	2	
23	R322-1	01-178-0504, 20-22-AD, 20-22-AGD, 322-1, 513337	Bolt - Hex HD 5/16-18 x 1/2	2	

All original equipment manufacturers names and part numbers are used for identification purposes only, and we are in no way implying that our products are original equipment parts. Prices subject to change without notice.



Replaces Toro Greensmaster 3120 Parts

*Traction Unit
Center Pull Frame*



Item No	R&R Part No.	OEM Part No.	Description	Qty Req	Order Quantity
24	R453009	01-166-0400, 24-10-BD, 24-9-AD, 32-9650, 3256-2, 3256-23, 3256-3, 3256-67, 3290-217, 3556-3, 4-2390, 7-0152	Washer - Flat 5/16 SAE	2	
25	R108-8642	108-8642	Grass Basket w/Bkt	1	
26	R104-2607	104-2607	Strip - Reinforcing Grass Basket	1	
27	R3290-382	3269-15, 3290-382	Rivet - 5/32 x 1/2 Pop Rivet	8	
28	R105-5740	105-5740	Hook - Lift	1	
29	R21-8470	21-8470	Shaft - Roller	1	
30	R253-83	253-83	Seal - Oil 7/8 OD x 5/8 ID	2	
31	R251-141	251-141	Bearing - Roller	2	
31	R133-2378	133-2378	Bearing - Roller	2	
32	R323016	302-33, 323016	Zerk - Grease	1	
33	R354083	104-7729, 354083	Decal - Danger	1	
34	R114-4685	114-4685	Pin - Hinge 6-5/8 Long	1	
36	R112-0284	108-8633, 112-0284, 117-9541	Frame - Pull - Center	1	
37	R125-5196	125-5196	Bushing - Copper Coated	6	

All original equipment manufacturers names and part numbers are used for identification purposes only, and we are in no way implying that our products are original equipment parts. Prices subject to change without notice.



Replaces Toro Greensmaster 3120 Parts

*Traction Unit
Center Pull Frame*



Item No	R&R Part No.	OEM Part No.	Description	Qty Req	Order Quantity
38	R110-3953	106-9080, 110-3953	Spring - Torsion - Center	1	
39	R302-60	302-60	Zerk - Grease 90 Deg.	1	
40	R92-0585	92-0585	Arm - Pull RH - w/Bushings	1	
41	R92-0586	92-0586, 95-0586	Arm - Pull LH w/Bushings	1	
42	R99-1460	2411-28, 2411-29, 2411-30, 2411-8, 8-7710, 94-2959, 99-1460	Receiver - Ball Joint	2	
43	R3220-3	01-191-0624, 3220-3, 3290-149	Nut - Jam Ball Joint	2	
44	R11-0160	11-0160	Screw - Roller Shaft	2	
45	R302-5	21-6010, 302-11, 302-37, 302-47, 302-5, 302-57, 302-58, 302-6, 31-0300, 32-9660, 60-0800, 62-3880, 92-4181	Fitting - Grease	4	
46	R3253-21	215-51, 30-8470, 3253-21, Jul-12	Washer - Lock 3/8	2	

All original equipment manufacturers names and part numbers are used for identification purposes only, and we are in no way implying that our products are original equipment parts. Prices subject to change without notice.



Replaces Toro Greensmaster 3120 Parts

*Traction Unit
Center Pull Frame*



Item No	R&R Part No.	OEM Part No.	Description	Qty Req	Order Quantity
47	R453011	01-166-0100, 01-166-0120, 01-166-0270, 01-166-0500, 01-166-0600, 01-166-0620, 132-4593, 2356-3, 237-12, 24-10-AD, 24-11-AD, 24-11-BD, 24-12-AD, 24-12-BD, 30-9310, 32-8190, 3256-24, 3256-3, 3256-36, 3256-4, 453011, 47-9950, 48-9220, 513458, 7-0052	Washer - Flat 3/8 SAE Y/Zinc	2	
48	R125-5178	125-5178	Bushing - Sintered Iron	4	
49	R3290-317	3290-317	Washer - Wave	2	

All original equipment manufacturers names and part numbers are used for identification purposes only, and we are in no way implying that our products are original equipment parts. Prices subject to change without notice.