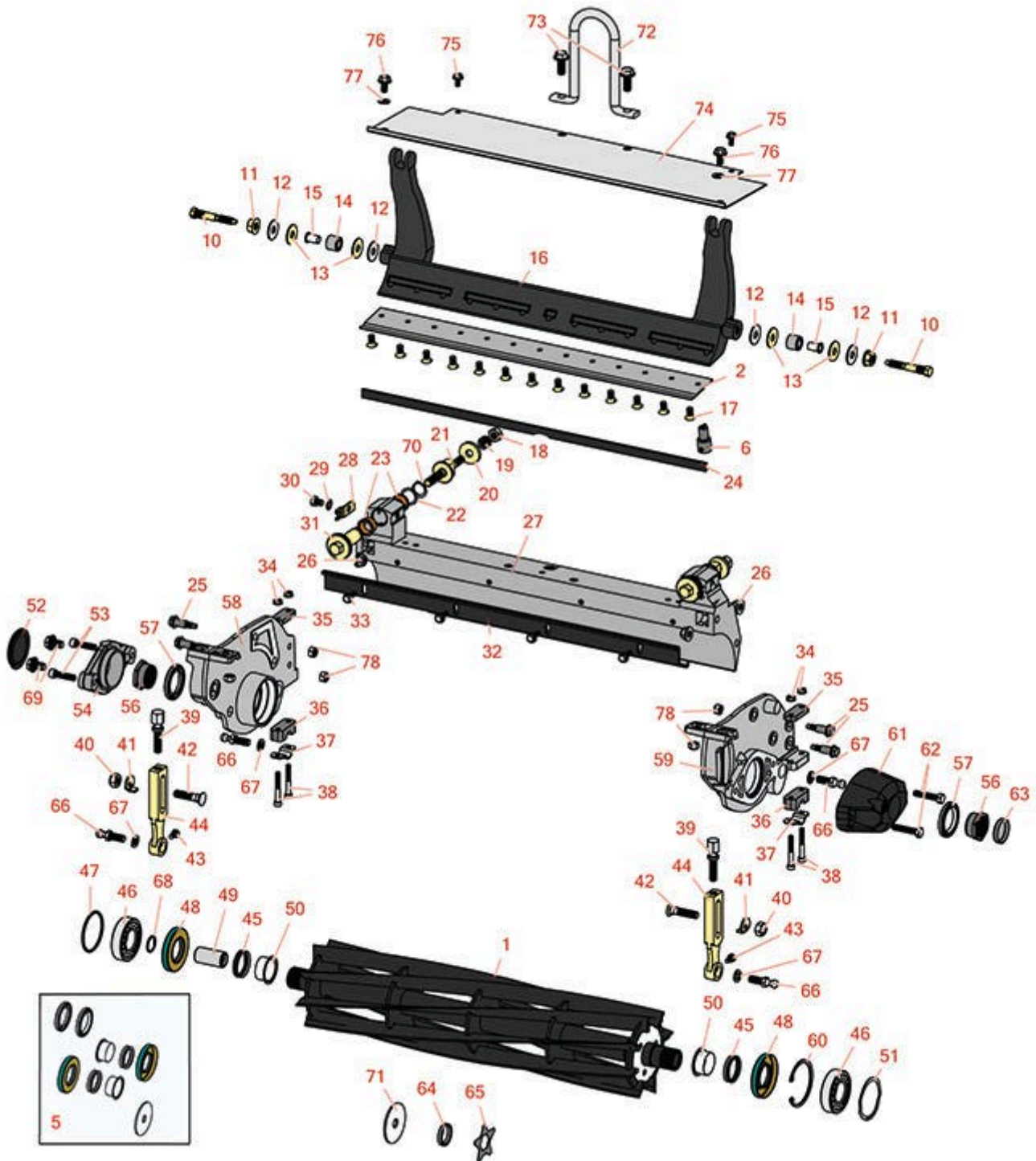




Replaces R&R Products Versa-Green

1860 Parts

Dual Adjust Cutting Unit
Reel & Bedknife



All original equipment manufacturers names and part numbers are used for identification purposes only, and we are in no way implying that our products are original equipment parts. Prices subject to change without notice.



Replaces R&R Products Versa-Green

1860 Parts

Dual Adjust Cutting Unit
Reel & Bedknife



| Item No | R&R Part No. | OEM Part No. | Description | Qty Req | Order Quantity |
|---------|--------------|--------------|-------------|---------|----------------|
|---------|--------------|--------------|-------------|---------|----------------|

R&R Reels, Lifetime Guaranteed

| | | | | | |
|---|------------------|---------|--|---|--|
| 1 | R115-5370 | R150175 | Reel - 14 Blade | 1 | |
| 1 | R150748 | | Reel - 14 Blade Razor Series Low Drag 21 | 1 | |
| 1 | R105-5792 | | Reel - 11 Blade | 1 | |
| 1 | R105-5793 | | Reel - 8 Blade | 1 | |

R&R Bedknives, Lifetime Guaranteed

| | | | | | |
|---|-----------------|-----------------------|--|---|--|
| 2 | R150466 | R63-8600, R94-6393 | Bedknife - Super Thick .312 - 1.00 HOC | 1 | |
| 2 | R94-6392 | R57-4970, R62-2500 | Bedknife - High Cut .312 - 1.00 HOC | 1 | |
| 2 | R93-4264 | R57-4960, R63-8470 | Bedknife - Low Cut .187 - 1.00 HOC | 1 | |
| 2 | R93-4262 | R62-8250, R65-8250 | Bedknife - Micro Cut .062 - .187 HOC | 1 | |

R&R Razor Tool Steel Bedknives, Lifetime Guaranteed

| | | | | | |
|---|------------------|--|---|---|--|
| 2 | R115-1881 | | Bedknife - Razor Tool Steel - 21 Tournament Cut .125 - .500 HOC | 1 | |
|---|------------------|--|---|---|--|

Tech Note: Razor Tool Steel Bedknives are constructed from high grade tool steel for extended life and optimum cut.:

| | | | | | |
|---|------------------|--|--|---|--|
| 2 | R115-1880 | | Bedknife - Razor Tool Steel - 21 Micro Cut .062 - .187 HOC | 1 | |
|---|------------------|--|--|---|--|

Tech Note: Razor Tool Steel Bedknives are constructed from high grade tool steel for extended life and optimum cut.:

| | | | | | |
|---|----------------|--|--|---|--|
| 2 | R150492 | | Bedknife - Razor Tool Steel - 21 Micro Cut Ext | 1 | |
|---|----------------|--|--|---|--|

Tech Note: Razor Tool Steel Bedknives are constructed from high grade tool steel for extended life and optimum cut.:

All original equipment manufacturers names and part numbers are used for identification purposes only, and we are in no way implying that our products are original equipment parts. Prices subject to change without notice.



Replaces R&R Products Versa-Green

1860 Parts

Dual Adjust Cutting Unit
Reel & Bedknife



| Item No | R&R Part No. | OEM Part No. | Description | Qty Req | Order Quantity |
|---------|--------------|--------------|-------------|---------|----------------|
|---------|--------------|--------------|-------------|---------|----------------|

Overhaul Kits

| | | | | | |
|---|------------------|--|-----------------|---|--|
| 5 | R106-6937 | | Kit - Reel Seal | 1 | |
|---|------------------|--|-----------------|---|--|

Tech Note: Includes: 2 ea: R106-6927 Sleeve, R106-6926 Inner Seal, R253-134 Outer Seal, R106-6929 V-Ring; & 1 ea: R104-0532 Washer:

Service Tools

| | | | | | |
|---|-----------------|--|----------------------------|---|--|
| 6 | R51-0880 | | Bedknife Screw Driver Tool | 0 | |
|---|-----------------|--|----------------------------|---|--|

Other Parts Available

| | | | | | |
|----|-----------------|-----------|----------------|---|--|
| 10 | R65-6270 | R119-4050 | Bolt - Bed Bar | 2 | |
|----|-----------------|-----------|----------------|---|--|

| | | | | | |
|----|------------------|--|---------------------------|---|--|
| 11 | R32128-48 | | Locknut - 7/16-20 Flanged | 2 | |
|----|------------------|--|---------------------------|---|--|

| | | | | | |
|----|-----------------|-----------|------------------------|---|--|
| 12 | R52-2860 | R119-4150 | Washer - Bed Bar Pivot | 4 | |
|----|-----------------|-----------|------------------------|---|--|

| | | | | | |
|----|-----------------|--|----------------|---|--|
| 13 | R52-2900 | | Washer - Nylon | 4 | |
|----|-----------------|--|----------------|---|--|

| | | | | | |
|----|-----------------|----------|------------------------------|---|--|
| 14 | R63-9510 | R63-9480 | Bushing - Rubber For Bed Bar | 2 | |
|----|-----------------|----------|------------------------------|---|--|

| | | | | | |
|----|-----------------|--|-------------------|---|--|
| 15 | R52-2890 | | Bushing - Flanged | 2 | |
|----|-----------------|--|-------------------|---|--|

| | | | | | |
|----|---------------------|--|---------|---|--|
| 16 | R106-2648-01 | | Bed Bar | 1 | |
|----|---------------------|--|---------|---|--|

| | | | | | |
|----|----------------|--|-------------------------------|---|--|
| 16 | R150176 | | Bed Bar - Fits R&R Units Only | 1 | |
|----|----------------|--|-------------------------------|---|--|

| | | | | | |
|----|----------------|---|--------------------------------|----|--|
| 17 | R150476 | R170476, R3-3816, R52-4910, R57-4910 | Screw - Bedknife 5/16-18 x 5/8 | 13 | |
|----|----------------|---|--------------------------------|----|--|

| | | | | | |
|----|------------------|--|----------------------------------|----|--|
| 17 | R119-4151 | | Screw - Bedknife 5/16-18 x 17/32 | 13 | |
|----|------------------|--|----------------------------------|----|--|

| | | | | | |
|----|------------------|--|--------------------------|---|--|
| 18 | R33025-00 | | Locknut - 10mm x 1.5 Jam | 2 | |
|----|------------------|--|--------------------------|---|--|

| | | | | | |
|----|-----------------|--|----------------------------|---|--|
| 19 | R99-3755 | | Spring - Bed Bar Adjusting | 2 | |
|----|-----------------|--|----------------------------|---|--|

| | | | | | |
|----|-----------------|--|---------------------------|---|--|
| 20 | R99-2098 | | Washer - Bed Bar Adjuster | 2 | |
|----|-----------------|--|---------------------------|---|--|

All original equipment manufacturers names and part numbers are used for identification purposes only, and we are in no way implying that our products are original equipment parts. Prices subject to change without notice.



Replaces R&R Products Versa-Green

1860 Parts

*Dual Adjust Cutting Unit
Reel & Bedknife*



| Item No | R&R Part No. | OEM Part No. | Description | Qty Req | Order Quantity |
|---------|--------------|-------------------------|---|---------|----------------|
| 21 | R99-2096 | | Screw - Bed Bar Adjustment - M10 Thrd 1 End | 2 | |
| 22 | R106-5335 | | Wave Washer - Reel Adjusting | 2 | |
| 23 | R106-5344 | | Bushing - Flanged and Keyed | 4 | |
| 24 | R106-2619 | | Seal - Strip | 1 | |
| 25 | R105-5774 | | Bolt - Shoulder | 4 | |
| 26 | R98-0668 | | Nut - Whiz Lock | 4 | |
| 27 | R119-9303 | R105-5799 | Frame - Crossmember | 1 | |
| 28 | R99-2097 | | Detent - Bed Bar Adjuster | 2 | |
| 29 | R3255-8 | | Washer - Lock 5/16 Ext | 2 | |
| 30 | R33114-010 | | Bolt - Hex HD M8-1.25 x 10 | 2 | |
| 31 | R106-6921 | R106-5334, R114-4634 | Shaft - Bed Bar Adjustment Assy | 2 | |
| 31 | R106-5363 | | Shaft - Adjusting - Bed Bar - Stainless | 2 | |
| 32 | R106-6924-03 | R106-2617-03 | Cut-Off Bar | 1 | |
| 33 | R110-3986 | R48-8870, R56-6380 | Screw - M6 x 1.0 x 20mm | 4 | |
| 34 | R33003-00 | R65-7980 | Hex Nut - Flanged 6-1.0mm | 4 | |
| 35 | R105-5711 | R119-4165 | Shim - Roller | 2 | |
| 36 | R105-5710 | R119-4166 | Spacer - Roller | 2 | |
| 37 | R105-5712 | R119-4157 | Retainer - Roller | 2 | |
| 38 | R106-2603 | | Bolt - Shoulder M6-1.0 x 45 | 4 | |
| 39 | R106-2635 | | Screw - HOC 2-7/16 | 2 | |

All original equipment manufacturers names and part numbers are used for identification purposes only, and we are in no way implying that our products are original equipment parts. Prices subject to change without notice.



Replaces R&R Products Versa-Green

1860 Parts

*Dual Adjust Cutting Unit
Reel & Bedknife*



| Item No | R&R Part No. | OEM Part No. | Description | Qty Req | Order Quantity |
|---------|-------------------|--------------|---------------------------------------|---------|----------------|
| 39 | R110-7352 | | Screw - HOC 2 5/8 Stainless | 2 | |
| 40 | R106-4668 | | Locknut - 10mm x 1.5 Top Lock | 2 | |
| 41 | R104-2603 | R119-4158 | Washer - HOC Bracket | 2 | |
| 42 | R150647 | R105-5342 | Plow Bolt - HOC - Front Roller | 2 | |
| 43 | R48-7610 | R33113-012 | Bolt - Hex HD Nyloc M6 x 12 | 2 | |
| 44 | R99-3781 | | Bracket - Front Roller 5 Oal | 2 | |
| 44 | R107-3502 | | Bracket - Front Roller 5-1/4 Oal | 2 | |
| 44 | R110-7351 | | Bracket - High HOC - 5 1/4 | 2 | |
| 45 | R106-6929 | | V-Ring - Reel | 2 | |
| 46 | R93-2489 | | Bearing - Reel | 2 | |
| 47 | R106-2607 | | O-Ring - Reel | 1 | |
| 48 | R106-6926 | | Inner Seal - Reel | 2 | |
| 49 | R94-4507 | | Coupling - Reel | 1 | |
| 50 | R106-6927 | | Speedi-Sleeve - Reel | 2 | |
| 51 | R105-5700 | R115-5258 | Wave Washer - Bearing | 1 | |
| 52 | R150485 | R2410-30 | Cap - Protective Bearing Housing | 1 | |
| 53 | R94-3559 | | Screw - Hex Socket Head | 2 | |
| 54 | R104-9447 | | Adapter - Motor | 1 | |
| 56 | R105-5706 | | Locknut - Reel | 2 | |
| 57 | R253-134 | | Outer Seal | 2 | |
| 58 | R105-5797G | | Side Plate - RH - Fits R&R Units Only | 1 | |
| 59 | R105-5795G | | Side Plate - LH - Fits R&R Units Only | 1 | |

All original equipment manufacturers names and part numbers are used for identification purposes only, and we are in no way implying that our products are original equipment parts. Prices subject to change without notice.



Replaces R&R Products Versa-Green

1860 Parts

*Dual Adjust Cutting Unit
Reel & Bedknife*



| Item No | R&R Part No. | OEM Part No. | Description | Qty Req | Order Quantity |
|---------|-------------------|---|---------------------------------|---------|----------------|
| 60 | R106-6914 | RSG427541 | Snap Ring - Internal | 1 | |
| 61 | R105-5709 | | Weight | 1 | |
| 62 | R33114-040 | R42-9530 | Screw - Hh M8-1.25 x 40 CL8.8 | 2 | |
| 63 | R105-5708 | R121-4609 | Plug - Expansion | 1 | |
| 64 | R70-1350 | | Spacer - 1/4 Fits Groomer Shaft | 84 | |
| 65 | R95-5719 | | Blade - Groomer | 41 | |
| 66 | R94-2958 | R2411-7 | Stud - Alloy Ball Joint | 2 | |
| 67 | R3254-6 | 446142, R01-166-0010, R01-166-0280, R01-166-0610, R12H304, R3253-5, R3254-18, R3290-223, R446140, R446142, R48-9370 | Washer - Lock 3/8 | 2 | |
| 68 | R105-5775 | | Retaining Ring - Reel Coupling | 1 | |
| 69 | R106-2633 | | Bolt - Hex Washer M10-1.5 x 16 | 2 | |
| 70 | R32120-93 | | Snap Ring - HD | 2 | |
| 71 | R104-0532 | | Washer - Pulley | 1 | |
| 72 | R105-5740 | | Hook - Lift | 1 | |
| 73 | R33115-025 | R48-7780 | Bolt - Hex HD M10-1.5 x 25 | 2 | |
| 74 | R106-2600G | | Grass Shield | 1 | |
| 75 | R104-2628 | | Bolt - Hex Washer M6-1.0 x 12 | 2 | |

All original equipment manufacturers names and part numbers are used for identification purposes only, and we are in no way implying that our products are original equipment parts. Prices subject to change without notice.



Replaces R&R Products Versa-Green

1860 Parts

*Dual Adjust Cutting Unit
Reel & Bedknife*



| Item No | R&R Part No. | OEM Part No. | Description | Qty Req | Order Quantity |
|---------|-------------------|--|------------------------------|---------|----------------|
| 76 | R33114-016 | R19M7162, R42-9230, R42-9270, R48-7690, R48-7700 | Bolt - Hx HD 8mm x 1.25 x 15 | 2 | |
| 77 | R453009 | 3256-3, R01-166-0400, R24-10-BD, R24-9-AD, R24H1136, R32-9650, R3256-2, R3256-23, R3256-67, R3290-217, R3556-3, R4-2390, R452006, R7-0152 | Washer - Flat 5/16 SAE | 2 | |
| 78 | R33024-00 | | Locknut - 8mm x 1.25 | 4 | |

All original equipment manufacturers names and part numbers are used for identification purposes only, and we are in no way implying that our products are original equipment parts. Prices subject to change without notice.