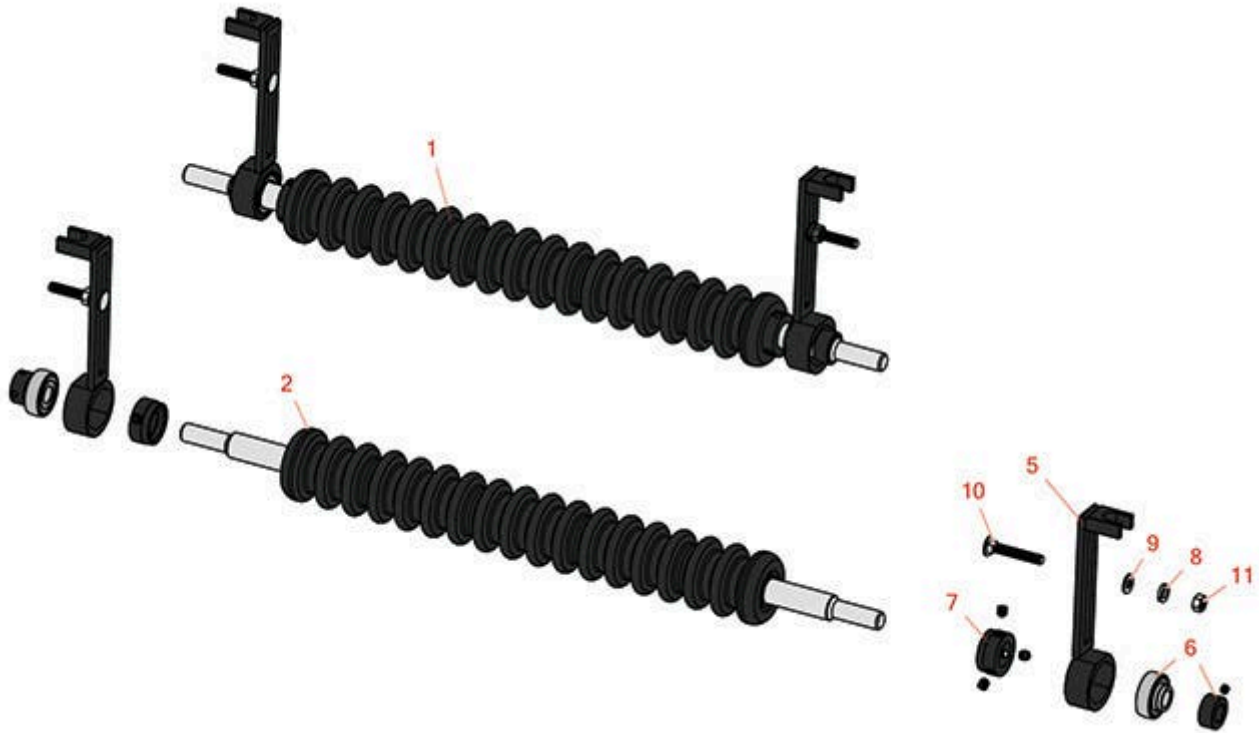




# Replaces John Deere 180A Walk-Behind Greens Mower Parts

Cutting Unit  
Minuteman Roller System



All original equipment manufacturers names and part numbers are used for identification purposes only, and we are in no way implying that our products are original equipment parts. Prices subject to change without notice.



# Replaces John Deere 180A Walk-Behind Greens Mower Parts

Cutting Unit  
Minuteman Roller System



Item No	R&R Part No.	OEM Part No.	Description	Qty Req	Order Quantity
---------	--------------	--------------	-------------	---------	----------------

## Complete Minuteman Roller Systems

1	<b>RMD5004</b>		Minuteman Front Grooved Roller System	0	
---	----------------	--	---------------------------------------	---	--

*Tech Note: Complete roller systems include roller, two brackets with bearings and mounting hardware. Complete roller systems include roller and two brackets with bearings.:*

## Minuteman Rollers Only

2	<b>RM505</b>		Minuteman Grooved Roller Only	0	
---	--------------	--	-------------------------------	---	--

*Tech Note: Fits 180A. Use with Minuteman Roller Bracket System Only:*

## Other Parts Available

5	<b>RJ121A</b>		Bracket - Front LH/RH Extended	2	
6	<b>RMMB157</b>		Bearing w/Locking Collar	2	
7	<b>RMM3</b>		End Hub - 7/8 ID	2	
8	<b>R446136</b>		Washer - Lock 5/16 Zinc	2	
9	<b>R453009</b>	24H1136	Washer - Flat 5/16 SAE	2	
10	<b>RMM602</b>		Bolt - Carriage 5/16-18 x 2 Gr 5	2	
11	<b>RMM603</b>		Nut - Hex 5/16-18	2	

All original equipment manufacturers names and part numbers are used for identification purposes only, and we are in no way implying that our products are original equipment parts. Prices subject to change without notice.