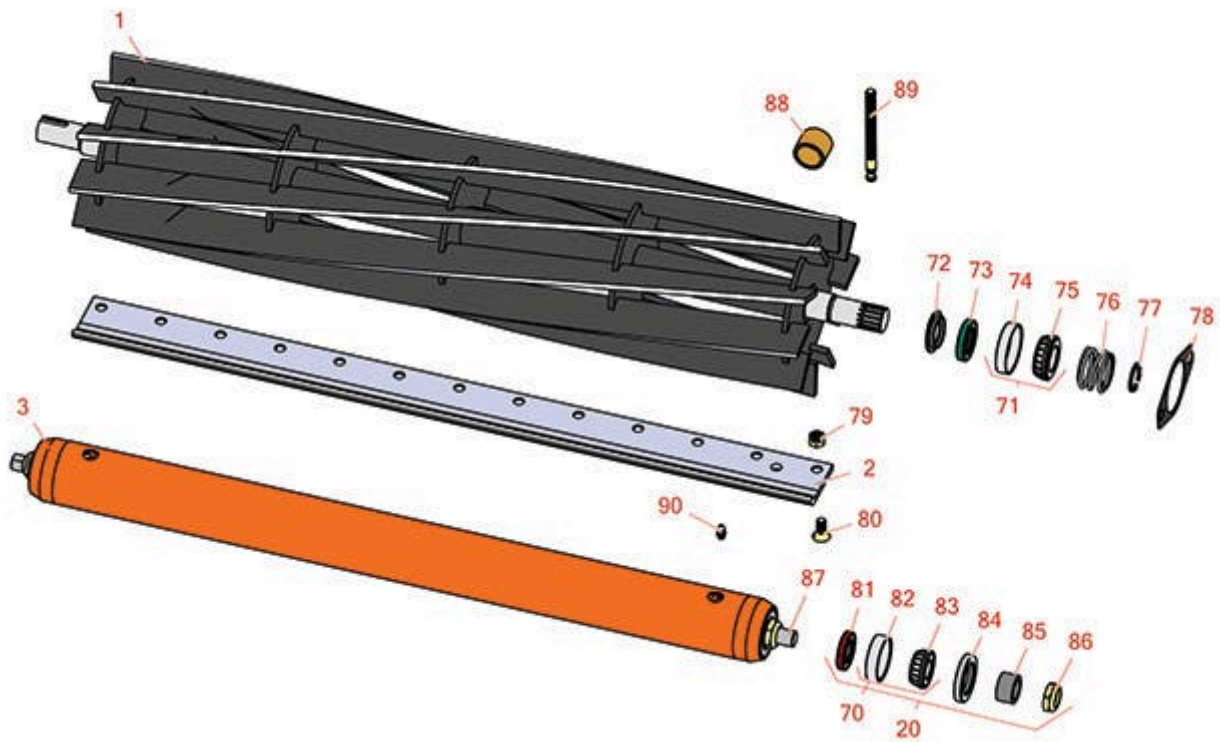




# Replaces Jacobsen Tri-King 1884D Parts

Cutting Unit  
Reel & Bedknife



All original equipment manufacturers names and part numbers are used for identification purposes only, and we are in no way implying that our products are original equipment parts. Prices subject to change without notice.



# Replaces Jacobsen Tri-King 1884D Parts

Cutting Unit  
Reel & Bedknife



Item No	R&R Part No.	OEM Part No.	Description	Qty Req	Order Quantity
---------	--------------	--------------	-------------	---------	----------------

## R&R Reels, Lifetime Guaranteed

1	<b>R503359</b>	503359	Reel - 5 Blade LH/Center - 30 in	2
---	----------------	--------	----------------------------------	---

*Tech Note: Note drive motor position when seated in the mower facing forward. This Reel should have the motor on the RIGHT hand side:*

1	<b>R503360</b>	503360	Reel - 5 Blade RH 30 in	1
---	----------------	--------	-------------------------	---

*Tech Note: Note drive motor position when seated in the mower facing forward. This Reel should have the motor on the LEFT hand side:*

1	<b>R503361</b>	503361	Reel - 10 Blade LH/Center - 30 in	2
---	----------------	--------	-----------------------------------	---

*Tech Note: Note drive motor position when seated in the mower facing forward. This Reel should have the motor on the RIGHT hand side:*

1	<b>R503362</b>	503362	Reel - 10 Blade RH - 30 in	1
---	----------------	--------	----------------------------	---

*Tech Note: Note drive motor position when seated in the mower facing forward. This Reel should have the motor on the LEFT hand side:*

## R&R Bedknives, Lifetime Guaranteed

2	<b>R503550</b>	331692, 503363, 503550	Bedknife - 30 in (13 Hole)	1
---	----------------	------------------------------	----------------------------	---

## R&R Rollers

3	<b>R104130</b>	116933, 132640	Roller - Smooth Tubular Steel	1
---	----------------	-------------------	-------------------------------	---

*Tech Note: Constructed with a through shaft, this heavy duty roller uses greasable tapered bearings for extended life.:*

## Overhaul Kits

20	<b>R100138</b>		Overhaul Kit - Roller	0
----	----------------	--	-----------------------	---

*Tech Note: Includes 2 ea.: R3296-15 Locknuts, R253-152 Seals, R253-117 Seals, R5-4038 Wear Sleeves, R254-78 Bearings, R254-79 Bearing Cups, & R302-5 Grease Fittings:*

## Other Parts Available

All original equipment manufacturers names and part numbers are used for identification purposes only, and we are in no way implying that our products are original equipment parts. Prices subject to change without notice.



# Replaces Jacobsen Tri-King 1884D Parts

Cutting Unit  
Reel & Bedknife



Item No	R&R Part No.	OEM Part No.	Description	Qty Req	Order Quantity
70	<b>R500534</b>	500534, R500534	Bearing - with Cup	0	
71	<b>R500596</b>	500596	Tapered Bearing Set - Cup and Cone	2	
72	<b>R364275</b>	364275	Disc - Reel Shaft	2	
73	<b>R337593</b>	3000983, 337593	Seal	2	
74	<b>R254-72</b>	313456	Cup - Bearing	2	
75	<b>R254-94</b>	313089	Tapered Bearing Cone	2	
76	<b>R364148</b>	364148	Spring - Reel Brg Tension	1	
77	<b>R458039</b>	458039	Ring - Retaining	1	
78	<b>R364777</b>	364777	Gasket - Motor End	1	
79	<b>R101271</b>	445684	Nut - Bedknife	13	
80	<b>R101270</b>	402698, 403757	Screw - Bedknife 3/8-24 x 13/16	13	
81	<b>R253-152</b>	3001656	Seal - Inner Roller	2	
82	<b>R254-79</b>	254-79, 4121175	Cup - Bearing	2	
<i>Tech Note: Use R254-79M installation mandrel to properly install race.:</i>					
83	<b>R254-78</b>	254-78, 385174, 4121174, 4135152	Tapered Bearing Cone	2	
84	<b>R253-117</b>	253-117, 3004882	Seal - Outer Triple Lip	2	
85	<b>R5-4038</b>	5-4038	Sleeve - Wear Reel Shaft	2	

All original equipment manufacturers names and part numbers are used for identification purposes only, and we are in no way implying that our products are original equipment parts. Prices subject to change without notice.



# Replaces Jacobsen Tri-King 1884D Parts

Cutting Unit  
Reel & Bedknife



Item No	R&R Part No.	OEM Part No.	Description	Qty Req	Order Quantity
86	<b>R3296-15</b>	3296-15, 367029, 444742	Locknut - 3/4-16 Nylon Jam	2	
87	<b>R1013820</b>		Shaft - 1 SS Roller 2 Pc	1	
88	<b>R364140</b>	364140	Bushing	2	
<i>Tech Note: Pull Frame:</i>					
89	<b>R364265</b>	364265	Screw - Adjusting Reel 3/8-16 Thd	2	
90	<b>R302-5</b>	302-5, 471214, 471223, 471226	Fitting - Grease	2	

All original equipment manufacturers names and part numbers are used for identification purposes only, and we are in no way implying that our products are original equipment parts. Prices subject to change without notice.