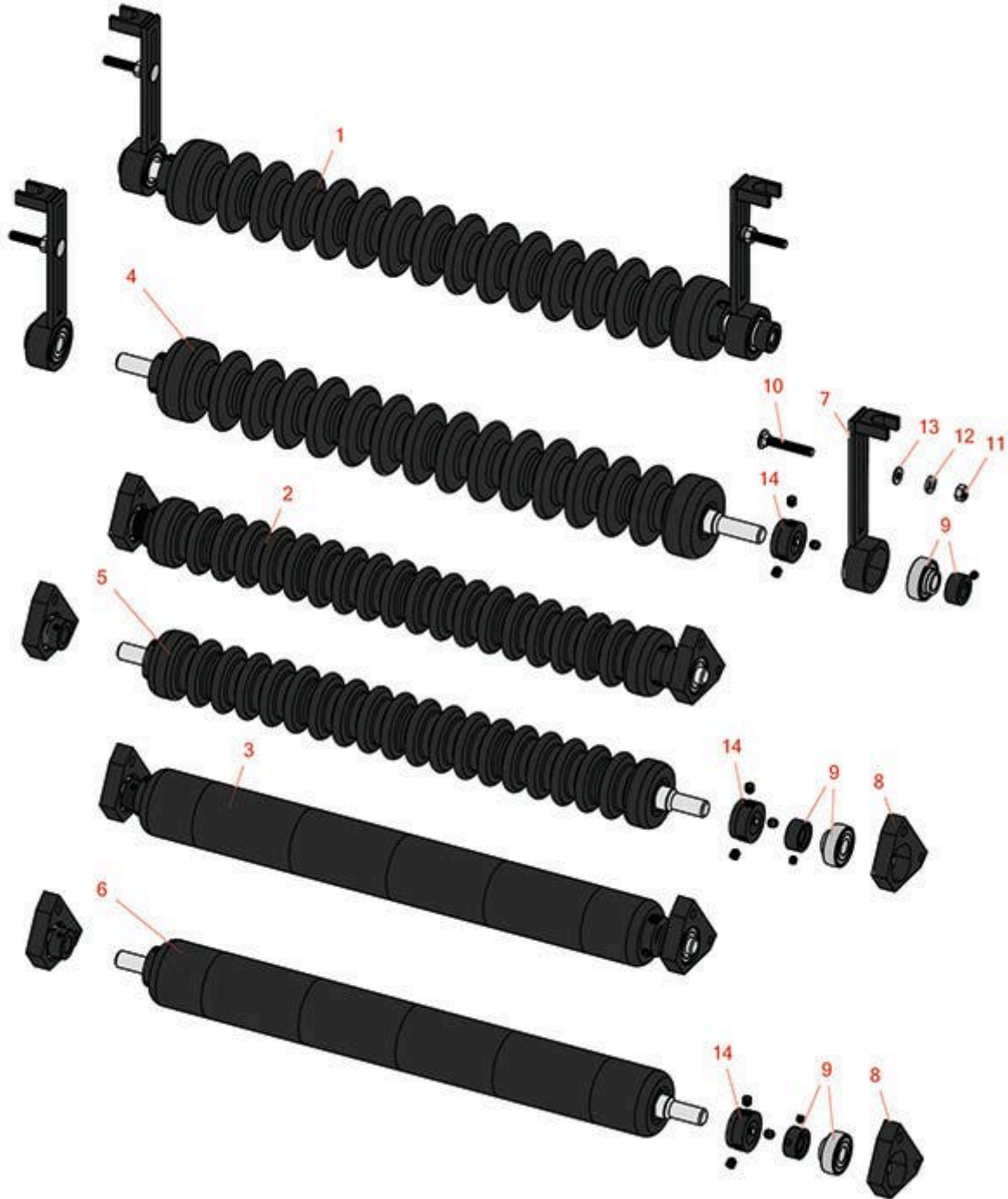




Replaces Jacobsen LF-3400 Parts

7" Reel Units

Minuteman Roller System



All original equipment manufacturers names and part numbers are used for identification purposes only, and we are in no way implying that our products are original equipment parts. Prices subject to change without notice.



Replaces Jacobsen LF-3400 Parts

7" Reel Units

Minuteman Roller System



Item R&R
No Part No.

OEM
Part No.

Description

Qty
Req

Order
Quantity

Complete Minuteman Roller Systems

| | | | | |
|---|----------------|--|---------------------------------------|---|
| 1 | RMJ3301 | | Minuteman Front Grooved Roller System | 0 |
|---|----------------|--|---------------------------------------|---|

Tech Note: Complete roller systems include roller, two brackets with bearings and mounting hardware.:

| | | | | |
|---|----------------|--|--------------------------------------|---|
| 2 | RMJ3302 | | Minuteman Rear Grooved Roller System | 0 |
|---|----------------|--|--------------------------------------|---|

Tech Note: Complete roller systems include roller, two brackets with bearings and mounting hardware.:

| | | | | |
|---|----------------|--|-------------------------------------|---|
| 3 | RMJ3303 | | Minuteman Rear Smooth Roller System | 0 |
|---|----------------|--|-------------------------------------|---|

Tech Note: Complete roller systems include roller, two brackets with bearings and mounting hardware.:

Minuteman Rollers Only

| | | | | |
|---|--------------|--|-------------------------------|---|
| 4 | RM528 | | Minuteman Grooved Roller Only | 0 |
|---|--------------|--|-------------------------------|---|

Tech Note: Use with Minuteman Roller Bracket System Only:

| | | | | |
|---|--------------|--|-------------------------------|---|
| 5 | RM515 | | Minuteman Grooved Roller Only | 0 |
|---|--------------|--|-------------------------------|---|

Tech Note: Use with Minuteman Roller Bracket System Only:

| | | | | |
|---|--------------|--|------------------------------|---|
| 6 | RM516 | | Minuteman Smooth Roller Only | 0 |
|---|--------------|--|------------------------------|---|

Tech Note: Use with Minuteman Rollers Bracket System Only:

Other Parts Available

| | | | | |
|---|---------------|--|--------------------------------|---|
| 7 | RJ121A | | Bracket - Front LH/RH Extended | 2 |
|---|---------------|--|--------------------------------|---|

| | | | | |
|---|--------------|--|----------------|---|
| 8 | RJ133 | | Bracket - Rear | 2 |
|---|--------------|--|----------------|---|

| | | | | |
|---|----------------|--|--------------------------|---|
| 9 | RMMB157 | | Bearing w/Locking Collar | 2 |
|---|----------------|--|--------------------------|---|

| | | | | |
|----|---------------|--|----------------------------------|---|
| 10 | RMM602 | | Bolt - Carriage 5/16-18 x 2 Gr 5 | 2 |
|----|---------------|--|----------------------------------|---|

| | | | | |
|----|---------------|--|-------------------|---|
| 11 | RMM603 | | Nut - Hex 5/16-18 | 2 |
|----|---------------|--|-------------------|---|

| | | | | |
|----|----------------|-------------------|-------------------------|---|
| 12 | R446136 | 446134, 446136 | Washer - Lock 5/16 Zinc | 2 |
|----|----------------|-------------------|-------------------------|---|

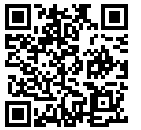
All original equipment manufacturers names and part numbers are used for identification purposes only, and we are in no way implying that our products are original equipment parts. Prices subject to change without notice.



Replaces Jacobsen LF-3400 Parts

7" Reel Units

Minuteman Roller System



| Item No | R&R Part No. | OEM Part No. | Description | Qty Req | Order Quantity |
|---------|----------------|---|------------------------|---------|----------------|
| 13 | R453009 | 3256-23, 452004, 452006, 452008, 453009 | Washer - Flat 5/16 SAE | 2 | |
| 14 | RMM3 | | End Hub - 7/8 ID | 2 | |

All original equipment manufacturers names and part numbers are used for identification purposes only, and we are in no way implying that our products are original equipment parts. Prices subject to change without notice.