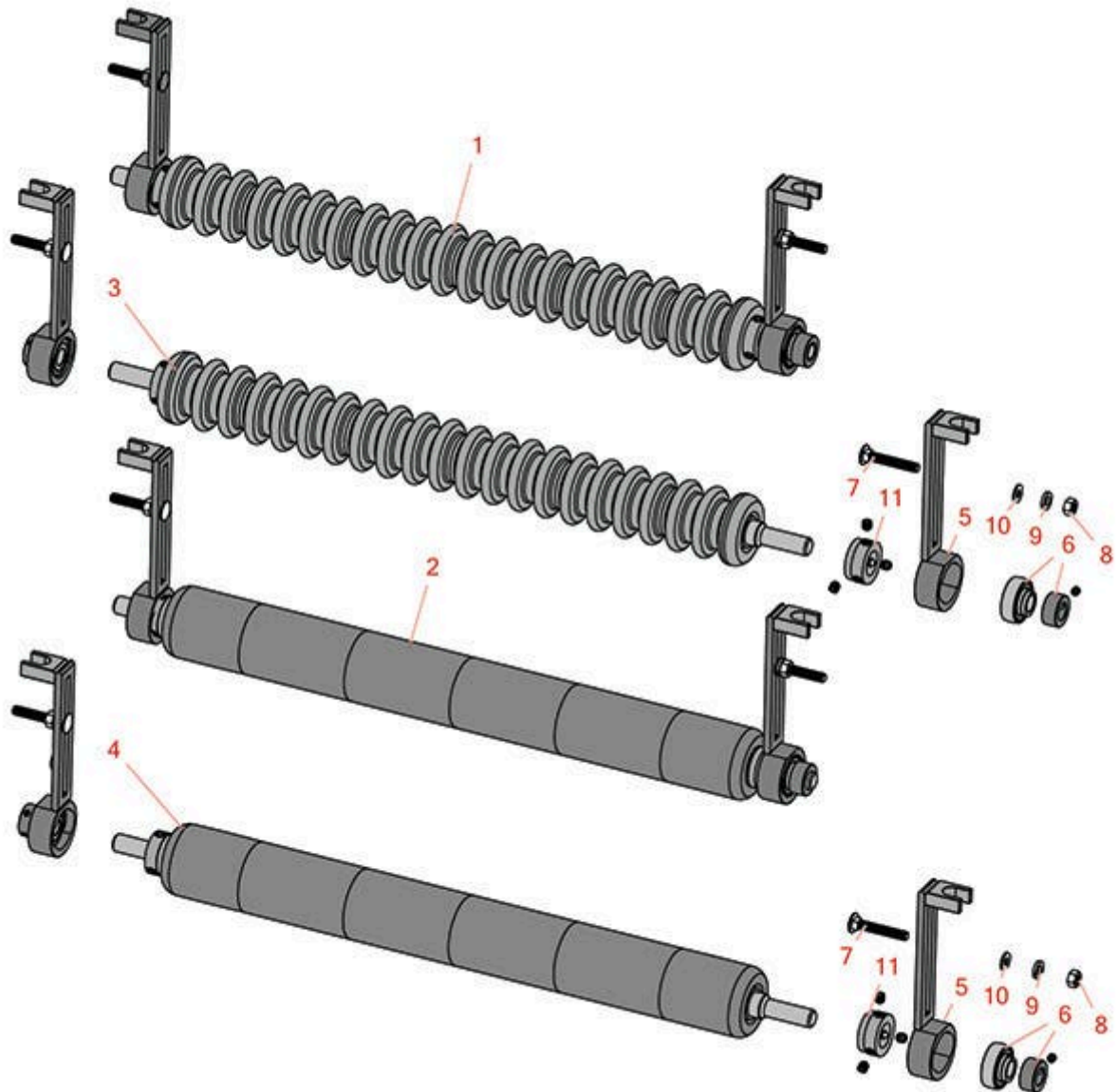




# Replaces Jacobsen G-Plex III Parts

Cutting Unit

Minuteman Front Roller System



All original equipment manufacturers names and part numbers are used for identification purposes only, and we are in no way implying that our products are original equipment parts. Prices subject to change without notice.



# Replaces Jacobsen G-Plex III Parts

Cutting Unit

Minuteman Front Roller System



Item R&R  
No Part No.

OEM  
Part No.

Description

Qty  
Req

Order  
Quantity

## Complete Minuteman Roller Systems

1	<b>RMJ1001</b>		Minuteman Front Grooved Roller System	0
---	----------------	--	---------------------------------------	---

*Tech Note: Complete roller systems include roller, two brackets with bearings and mounting hardware.:*

2	<b>RMJ1001S</b>		Minuteman Front Smooth Roller System	0
---	-----------------	--	--------------------------------------	---

*Tech Note: Complete roller systems include roller, two brackets with bearings and mounting hardware.:*

## Minuteman Rollers Only

3	<b>RM511</b>		Minuteman Grooved Roller Only - 22 in	0
---	--------------	--	---------------------------------------	---

*Tech Note: Use with Minuteman Roller Bracket System Only:*

4	<b>RM512</b>		Minuteman Smooth Roller Only	0
---	--------------	--	------------------------------	---

*Tech Note: Use with Minuteman Roller Bracket System Only:*

## Other Parts Available

5	<b>RJ121</b>		Bracket - Front LH/RH	0
---	--------------	--	-----------------------	---

5	<b>RJ121A</b>		Bracket - Front LH/RH Extended	0
---	---------------	--	--------------------------------	---

6	<b>RMMB157</b>		Bearing w/Locking Collar	0
---	----------------	--	--------------------------	---

7	<b>RMM602</b>		Bolt - Carriage 5/16-18 x 2 Gr 5	0
---	---------------	--	----------------------------------	---

8	<b>RMM603</b>		Nut - Hex 5/16-18	0
---	---------------	--	-------------------	---

9	<b>R446136</b>	446134, 446136	Washer - Lock 5/16 Zinc	0
---	----------------	-------------------	-------------------------	---

10	<b>R453009</b>	3256-23, 452004, 452006, 452008, 453009	Washer - Flat 5/16 SAE	0
----	----------------	---	------------------------	---

11	<b>RMM3</b>		End Hub - 7/8 ID	0
----	-------------	--	------------------	---

All original equipment manufacturers names and part numbers are used for identification purposes only, and we are in no way implying that our products are original equipment parts. Prices subject to change without notice.