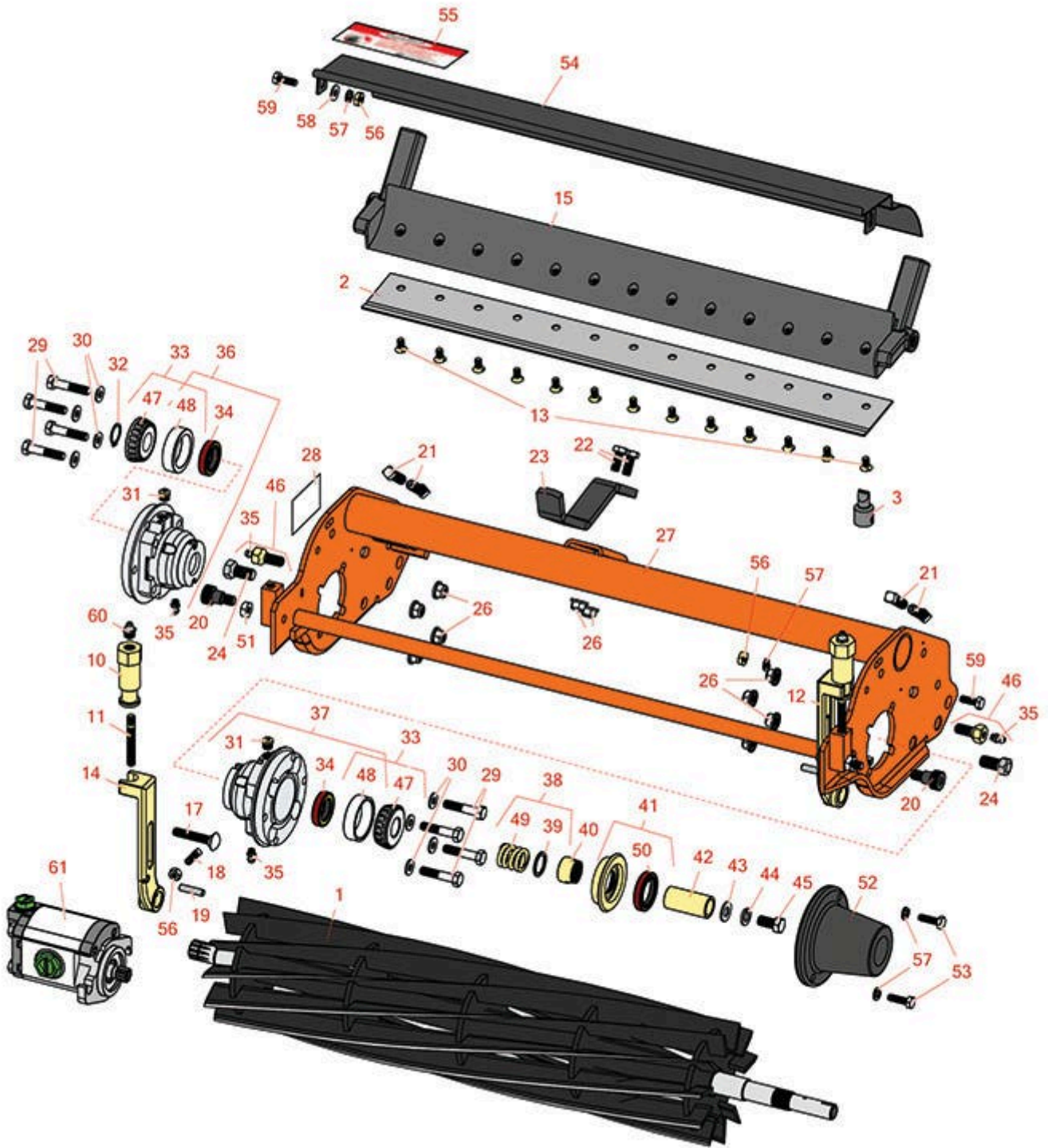




# Replaces Jacobsen GP400 Parts

Cutting Unit  
Reel & Bedknife



All original equipment manufacturers names and part numbers are used for identification purposes only, and we are in no way implying that our products are original equipment parts. Prices subject to change without notice.



# Replaces Jacobsen GP400 Parts

Cutting Unit  
Reel & Bedknife



Item No	R&R Part No.	OEM Part No.	Description	Qty Req	Order Quantity
---------	--------------	--------------	-------------	---------	----------------

### R&R Reels, Lifetime Guaranteed

1	R503319	5001095, 5003053, 503319	Reel - 7 Blade LH	1	
1	R503375	5001099, 503375	Reel - 9 Blade LH	1	
1	R101357		Reel - 14 Blade	1	
1	R506636	5000028, 5001101, 506636	Reel - 11 Blade LH	1	

### R&R Bedknives, Lifetime Guaranteed

2	R5002771	5002771	Bedknife - Low Cut	1	
2	R503477	101261, 503027, 503477, 549397	Bedknife - Thick .156-.438 HOC	1	
2	R503478	101260, 503028, 503478, 549504	Bedknife - Thin .125-.219 HOC	1	
2	R503479	503029, 503479	Bedknife - Tournament .094-.156 HOC	1	

### R&R Razor Tool Steel Bedknives, Lifetime Guaranteed

2	R101520		Bedknife - Razor Tool Steel - 22 Micro Cut	1	
2	R101521		Bedknife - Razor Tool Steel - 22 Tournament Cut	1	

### Service Tools

3	R101272T		Bedknife Screw Driver Tool	0	
---	----------	--	----------------------------	---	--

*Tech Note: Easily install and remove bed knife screws with the help of a ratchet. Tool manufactured with hardened alloy steel.:*

All original equipment manufacturers names and part numbers are used for identification purposes only, and we are in no way implying that our products are original equipment parts. Prices subject to change without notice.



# Replaces Jacobsen GP400 Parts

Cutting Unit  
Reel & Bedknife



Item No	R&R Part No.	OEM Part No.	Description	Qty Req	Order Quantity
---------	--------------	--------------	-------------	---------	----------------

### Other Parts Available

10	<b>R365009</b>	3005692, 365009, 365170, 441674	Knob - Adjusting Roller	2	
11	<b>R343616</b>	343616, 443102	Stud	2	
12	<b>R153979</b>	153979, 3008439	Bracket - Front Roller	1	
13	<b>R101272</b>	101272, 3009138, 402578, 800813	Screw - Bedknife 1/4-20 x 1/2	13	
14	<b>R153980</b>	153980, 3008438	Bracket - Front Roller	1	
15	<b>R220278</b>	121856, 220278, 5000415	Backing Bar - Cast	1	
17	<b>R441674</b>	441674	Screw - 5/16-18 x 1-3/4 Carriage	2	
18	<b>R352737</b>	352737	Screw - Set 1/4 x 7/8 Sq Head	2	
19	<b>R461256</b>	461256	Pin - 1/4 x 1	2	
20	<b>R365246</b>	365246	Bolt - Shoulder w/Nyloc Patch	2	
21	<b>R412506</b>	412503, 412506	Screw - Bed Bar Adjusting	4	
22	<b>R400184</b>	400184, 400194	Screw - 5/16-18 x 3/4 Hex	2	
23	<b>R3010293</b>	3010293	Stop - Mower	1	
24	<b>R315298</b>	315298	Bolt - Bed Bar	2	
26	<b>R445795</b>	445795	Nut - 5/16-18 Flanged	10	
27	<b>R5002577</b>	5002577	Frame - Reel	1	

All original equipment manufacturers names and part numbers are used for identification purposes only, and we are in no way implying that our products are original equipment parts. Prices subject to change without notice.



# Replaces Jacobsen GP400 Parts

Cutting Unit  
Reel & Bedknife



Item No	R&R Part No.	OEM Part No.	Description	Qty Req	Order Quantity
28	<b>R1000997</b>	1000997	Decal - Warning	1	
29	<b>R400192</b>	400192	Bolt - Hex HD 5/16-18 x 1-1/2	8	
30	<b>R453009</b>	3256-23, 452004, 452006, 452008, 453009	Washer - Flat 5/16 SAE	8	
31	<b>R170714</b>	170714, 471240, 471242	Fitting - Pressure Relief	2	
32	<b>R458013</b>	458013	Ring - Retaining	1	
33	<b>R500534</b>	500534, R500534	Bearing - with Cup	2	
34	<b>R336962</b>	336962	Seal	2	
35	<b>R302-5</b>	302-5, 471214, 471223, 471226	Fitting - Grease	4	
36	<b>R1004756</b>	1004756	Housing - Bearing Drive End	1	
<i>Tech Note: Includes: R336962 Seal, R170714 Fitting, R302-5 Zerk &amp; R254-79 Cup:</i>					
37	<b>R164144</b>	1000480, 163397, 164144, 2000060	Housing - Reel Bearing	1	
<i>Tech Note: Includes R336962 Seal, R302-5 Zerk, R170714 Relief Fitting &amp; R254-79 Cup:</i>					
38	<b>R5002151</b>	5002151	Hardware Kit - Spring/Washer	1	
<i>Tech Note: Includes 1 ea: R304745 Washer, R363047 Spring:</i>					
39	<b>R304745</b>	304745	Washer - Reel	1	
40	<b>R364900</b>	364900	Nut - Reel Tension	1	

All original equipment manufacturers names and part numbers are used for identification purposes only, and we are in no way implying that our products are original equipment parts. Prices subject to change without notice.



# Replaces Jacobsen GP400 Parts

Cutting Unit  
Reel & Bedknife



Item No	R&R Part No.	OEM Part No.	Description	Qty Req	Order Quantity
41	<b>R163398</b>	163398, 163892	Seal - Spacer Assy	1	
42	<b>R367164</b>	367164	Spacer - Reel	1	
43	<b>R453011</b>	453011	Washer - Flat 3/8 SAE Y/Zinc	1	
44	<b>R3254-6</b>	3254-6, 446140, 446142	Washer - Lock 3/8	1	
45	<b>R400294</b>	400294	Screw - 3/8 24 x 3/4 Hex C/Zinc	1	
46	<b>R345470</b>	1002226, 345470	Bolt - Rear Roller 7/16-20	2	
<i>Tech Note: Incl. Grease Zerk:</i>					
46	<b>R1002224</b>	1002224	Bolt - Rear Roller 3/8-24	2	
<i>Tech Note: Incl Grease Zerk:</i>					
47	<b>R254-78</b>	254-78, 385174, 4121174, 4135152	Tapered Bearing Cone	2	
48	<b>R254-79</b>	254-79, 4121175	Cup - Bearing	2	
<i>Tech Note: Use R254-79M installation mandrel to properly install race.:</i>					
49	<b>R363047</b>	348846, 363047	Spring - Reel	1	
50	<b>R337677</b>	315257, 337677	Seal - Oil	1	
51	<b>R443106</b>	443106	Nut - 5/16-18 Y/Zinc Plated	2	
52	<b>R2000065</b>	2000065	Weight - Counter	1	
53	<b>R321-5</b>	321-5, 400110	Bolt - Hex HD 1/4-20 x 7/8	2	

All original equipment manufacturers names and part numbers are used for identification purposes only, and we are in no way implying that our products are original equipment parts. Prices subject to change without notice.



# Replaces Jacobsen GP400 Parts

*Cutting Unit  
Reel & Bedknife*



Item No	R&R Part No.	OEM Part No.	Description	Qty Req	Order Quantity
54	<b>R2810043</b>	2810043	Shield - Grass	1	
55	<b>R354083</b>	354083, 361877, 4127335	Decal - Danger	2	
56	<b>R443102</b>	443102	Nut - 1/4-20 Yellow Zinc	4	
57	<b>R3253-3</b>	3253-3, 446128, 446130	Washer - Lock 1/4	6	
58	<b>R453023</b>	453023	Washer - Flat 1/4	2	
59	<b>R403782</b>	400018, 403782	Screw - 1/4-20 x 3/4 Truss Head	2	
60	<b>R471219</b>	366852, 471219	Zerk - Grease	2	
61	<b>R2701710</b>	2701710	Motor - Reel Drive	3	

All original equipment manufacturers names and part numbers are used for identification purposes only, and we are in no way implying that our products are original equipment parts. Prices subject to change without notice.