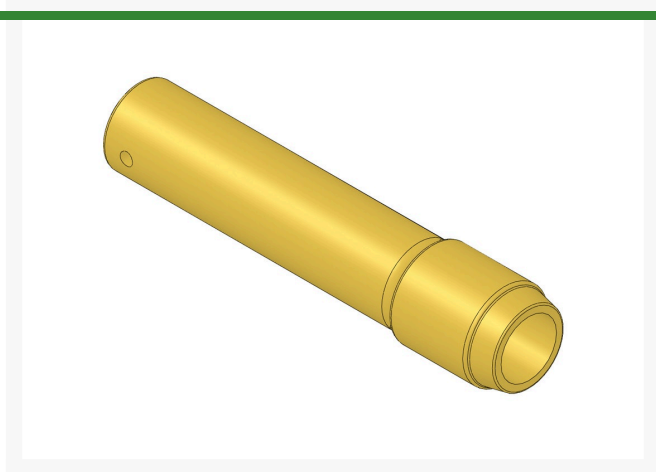




# Mandrel - Race Hardened

R254-79M



## Details

R&R Mandrels allow proper installation of races, seals, bushings and bearings. Tools are constructed of solid steel and precision machined for exact fit.

- Fits LM11910

## Specifications

Manufacturer

R&R Products

## Pekerti Jaya Sdn. Bad

45 Jalan Industri USJ 1/5, Taman Perindustrian USJ 1 Subang Jay, 47600  
603-80216684

<https://pekertijaya.rrproducts.com/>