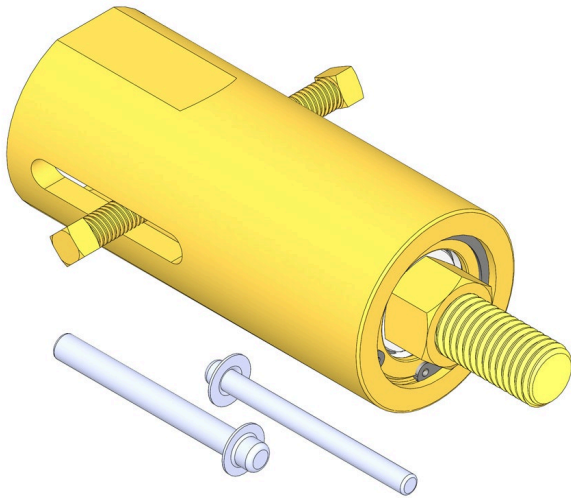




Bearing Puller

R245



Details

R&R "Water Pump Style" Bearing Puller fits R&R Part Numbers R101481, R101482, R21-6410, R21-8430, R52-3180, R52-3120, R311839, R361850, R75-1290, RAET10129.

- Fits 10 listed R&R bearings

Replaces

R&R Products R200

Specifications

Manufacturer R&R Products

Replacement Parts

| | |
|------|-------------------------------|
| R205 | Pin - Hardened |
| R208 | Pin - Hardened 1/4 x 3 |
| R233 | Bearing Puller Nut - Hardened |
| R246 | Stud - Puller |
| R247 | Tube - Outer Assy 5-1/2 |
| R248 | Screw - Set Sq Head |

Pekerti Jaya Sdn. Bad

45 Jalan Industri USJ 1/5, Taman Perindustrian USJ 1 Subang Jay, 47600
603-80216684

<https://pekertijaya.rrproducts.com/>