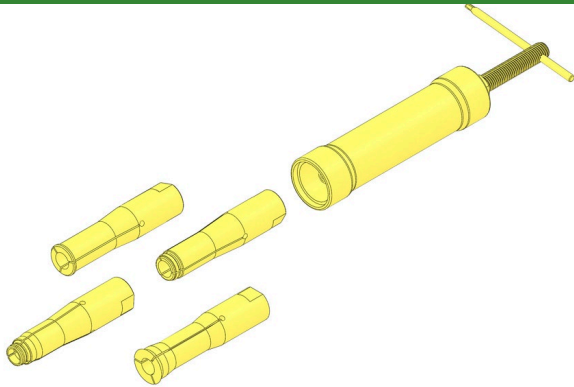




# Complete Bearing Puller Set

## R244



### Details

R&R Products developed a special line of tools to remove tapered bearing races from rollers, gear boxes and the outer ball bearing races left inside roller ends, in case of a catastrophic bearing failure. The R&R Puller contains a mandrel and spreader which secures behind the tapered bearing race or to the inside ball bearing groove. The tube assembly, which contains its own tapered bearing pulling system, is then placed over the mandrel and spreader to easily remove the outer race. Mandrels and spreaders are manufactured by R&R Products from high carbon chromium vanadium steel and heat treated for maximum strength. Complete set includes one outer puller tube and one each of all expanding puller tubes: R226, R227, R232, R233, R234, R236, 237, R241

### Specifications

Manufacturer	R&R Products
--------------	--------------

### Replacement Parts

R226	Expanding Puller Tube Only - Fits R225
R227	Spreader Mandrel - Hardened
R232	Expanding Puller Tube Only - Fits R230
R233	Bearing Puller Nut - Hardened
R234	Handle - Spreader Mandrel
R236	Expanding Puller Tube Only - Fits R235
R237	Outer Puller Tube Assy Only - 9-1/4 in
R238	Washer - Fits R230 Puller

## Pekerti Jaya Sdn. Bad

45 Jalan Industri USJ 1/5, Taman Perindustrian USJ 1 Subang Jay, 47600  
603-80216684

<https://pekertijaya.rrproducts.com/>



# Complete Bearing Puller Set

R244



R241

Expanding Puller Tube  
Only - Fits R240

R243

Expanding Puller Tube  
Only - Fits R242

## Pekerti Jaya Sdn. Bad

45 Jalan Industri USJ 1/5, Taman Perindustrian USJ 1 Subang Jay, 47600  
603-80216684

<https://pekertijaya.rrproducts.com/>