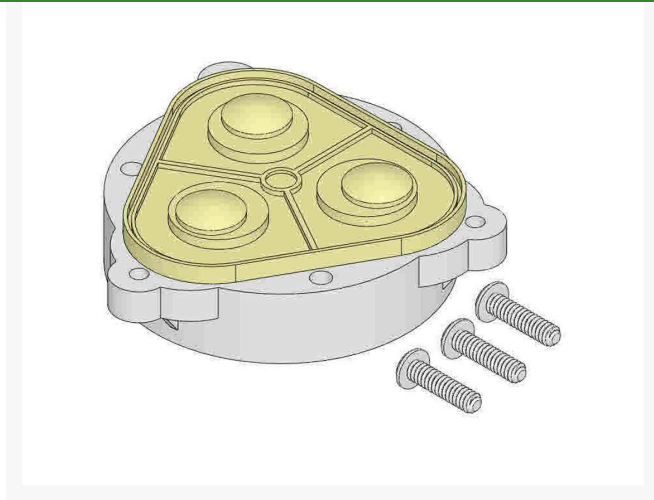




# Shurflo Diaphragm w/Drive Housing - New Style

RHY94-385-32



## Specifications

Manufacturer	Pentair Shurflo
Manufacturer's Model No	94-385-32

**Pekerti Jaya Sdn. Bad**

45 Jalan Industri USJ 1/5, Taman Perindustrian USJ 1 Subang Jay, 47600  
603-80216684

<https://pekertijaya.rrproducts.com/>