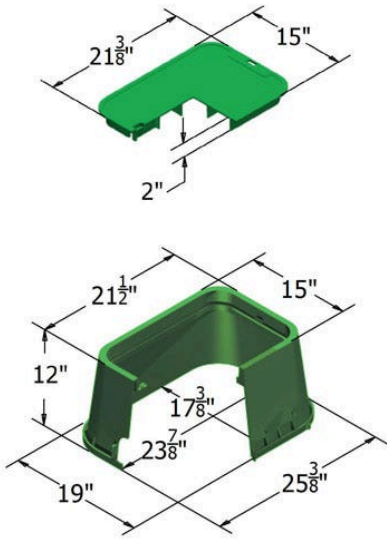




# Carson Valve Box w/Lid 1220 - Green

## ICV

RGC12201206



### Specifications

Manufacturer

Carson

**Pekerti Jaya Sdn. Bad**

45 Jalan Industri USJ 1/5, Taman Perindustrian USJ 1 Subang Jay, 47600  
603-80216684

<https://pekertijaya.rrproducts.com/>