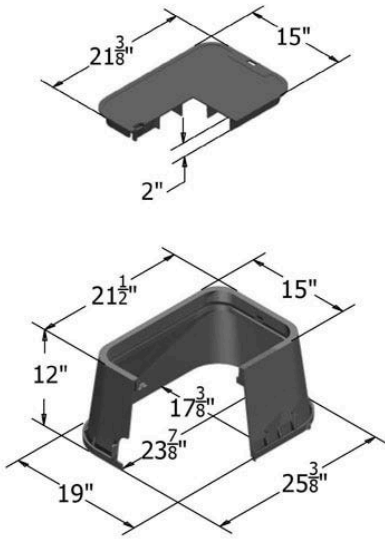




Carson Valve Box w/Lid 1220 - Black ICV

RGC12201028



Specifications

Manufacturer

Carson

Pekerti Jaya Sdn. Bad

45 Jalan Industri USJ 1/5, Taman Perindustrian USJ 1 Subang Jay, 47600
603-80216684

<https://pekertijaya.rrproducts.com/>