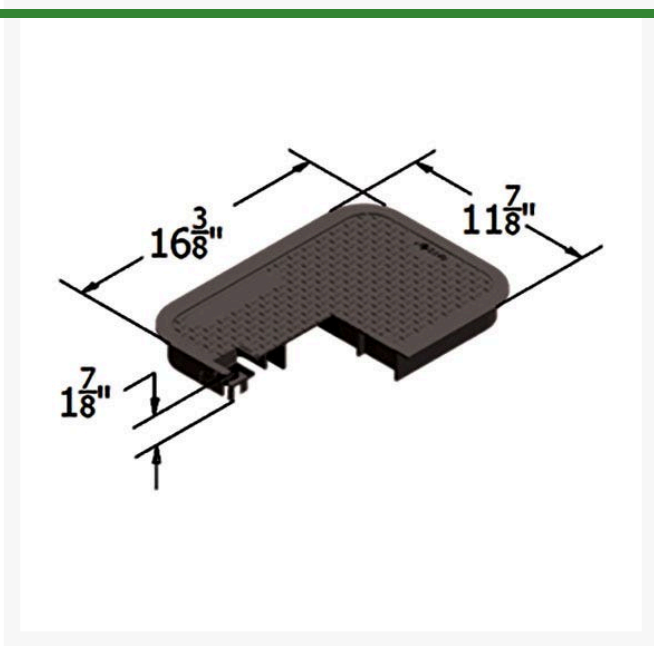




# Carson Lid Only 1015 - Black Blank

RGC10154027



### Details

Replacement lid for Carson 1015 valve box. HDPE (high-density polyethylene) construction. UV inhibitors. Made in USA.

### Specifications

Manufacturer	Carson
Indicator	Blank
Lid Color	Black

## Pekerti Jaya Sdn. Bad

45 Jalan Industri USJ 1/5, Taman Perindustrian USJ 1 Subang Jay, 47600  
603-80216684

<https://pekertijaya.rrproducts.com/>