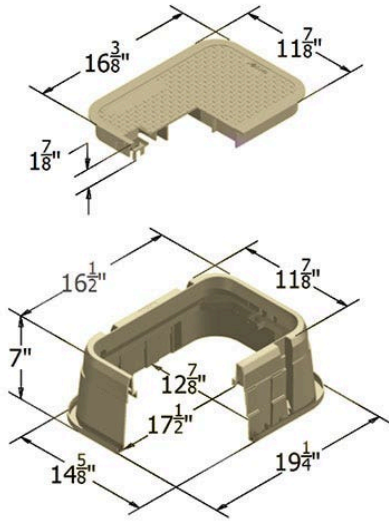




Carson Valve Box w/Lid 1015 - Tan ICV

RGC10151235



Details

The Carson 1015-12 irrigation control valve box offers a variety of features, including lid seat collar for increased durability, and improved ribbing structure for maximum strength. That's the TrussT design. Other features include a heavy-duty seat collar, optional bolt down device for lock options, and a variety of cover and marking options. HDPE (high-density polyethylene) construction. UV inhibitors. 3" and 6" extensions available. Made in USA.

Specifications

Manufacturer	Carson
Valve Box Depth	7 in

Pekerti Jaya Sdn. Bad

45 Jalan Industri USJ 1/5, Taman Perindustrian USJ 1 Subang Jay, 47600
603-80216684

<https://pekertijaya.rrproducts.com/>