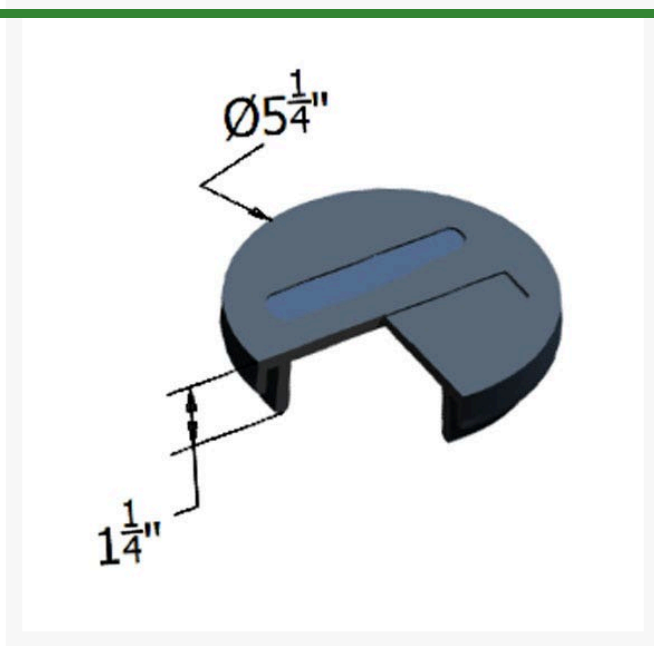




Carson Lid Only 510 - Black Blank

RGC05104001



Details

Replacement lid for the Carson 510 economy box. HDPE (high-density polyethylene) construction. UV inhibitors for long life and appearance. Made in USA.

Specifications

Manufacturer	Carson
Indicator	Blank
Lid Color	Black

Pekerti Jaya Sdn. Bad

45 Jalan Industri USJ 1/5, Taman Perindustrian USJ 1 Subang Jay, 47600
603-80216684

<https://pekertijaya.rrproducts.com/>