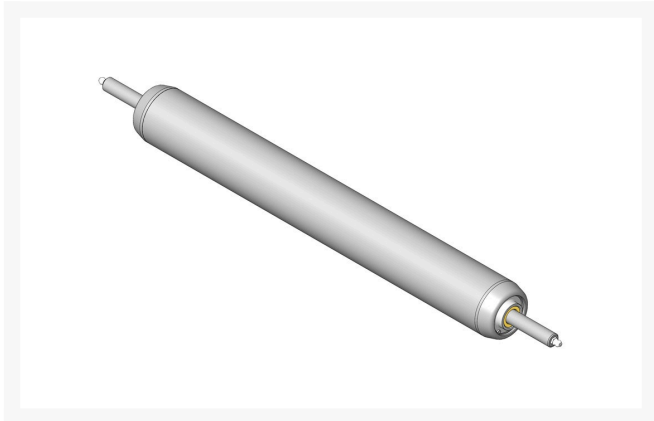




Roller - Smooth Tubular Steel

R110-4066



Details

Constructed with a through shaft, this heavy-duty roller uses greasable ball bearings. (2006 - 2007)

Replaces

R&R Products	110-4066
Toro	110-4066

Specifications

Manufacturer	R&R Products
Overhaul Kit No.	R106-9606
Roller Body	2.5 in
Diameter	
Weight (lbs)	13 lb

Fits Models

- R&R Products Reel Max 544D
- Toro Reelmaster 5210-D
- Toro Reelmaster 5410-D
- Toro Reelmaster 5410G

Replacement Parts

R106-9606	Overhaul Kit - Roller
R110-4060	Shaft
R93-3007	Seal
R343667	Bearing - Ball
R93-1251	Seal
R93-1252	Seal - Outer
R253-70	Seal
R93-2931	Washer - Roller Seal
R32120-62	Ring - Retaining
R302-5	Fitting - Grease

Pekerti Jaya Sdn. Bad

45 Jalan Industri USJ 1/5, Taman Perindustrian USJ 1 Subang Jay, 47600
603-80216684

<https://pekertijaya.rrproducts.com/>